



Alfa Laval Inc.
5400 International Trade Drive
Richmond, VA 23231

www.alfalaval.com

Alfa Laval Separator, Type VO 10

Application: Hot Washing of vegetable oil

TABLE OF CONTENTS

Specification of Equipment

- 1.0 Alfa Laval Self-Discharging Separator, Type VO 10 Purifier
- 2.0 Electric and Pneumatic System
- 3.0 Service and Process Liquid System
- 4.0 Documentation
- 5.0 Start-up & Commissioning

Prices and Terms

- 6.0 Price Summary
- 7.0 Payment Conditions
- 8.0 Shipping Data
- 9.0 Delivery Terms
- 10.0 Delivery Time
- 11.0 General Conditions
- 12.0 Reservations

Terms and Conditions of Sale

Attachments:

- Product Brochure



Item	Qty	Description
1.0		ALFA LAVAL SELF-DISCHARGING SEPARATOR, TYPE VO 10 PURIFIER.
1.1	1	VO 10 with bowl and all other wetted parts in contact with the product, as well as inlet and outlet details are of stainless steel. Drive: 60 Hz Set of plates, language: English Start-up kit: Includes 1 IS kit.
1.2	1	Electric motor for the centrifuge. Degree of protection: IP 55 Motor rating: 18.5 kW Manufacturer: ABB Main power supply: 3 x 480V x 60Hz
1.3	1	Mounting tool (wear liner)
1.4	1	Set of special tools for dismantling and assembly of the centrifuge.
2.0		ELECTRICAL & PNEUMATIC SYSTEM
2.1	1	Starting equipment for the separator motor including solenoid valve block for operating water. Cabinet in painted steel. Main power supply: 3 x 480V x 60Hz
3.0		SERVICE & PROCESS LIQUID SYSTEM
3.1	1	Process piping
4.0		DOCUMENTATION
4.1	1	Two sets of documentation. (1 printed and one electronic) Language: English
5.0		START-UP & COMMISSIONING Maximum 3 days of on-site assistance. Includes hours and travel expenses.

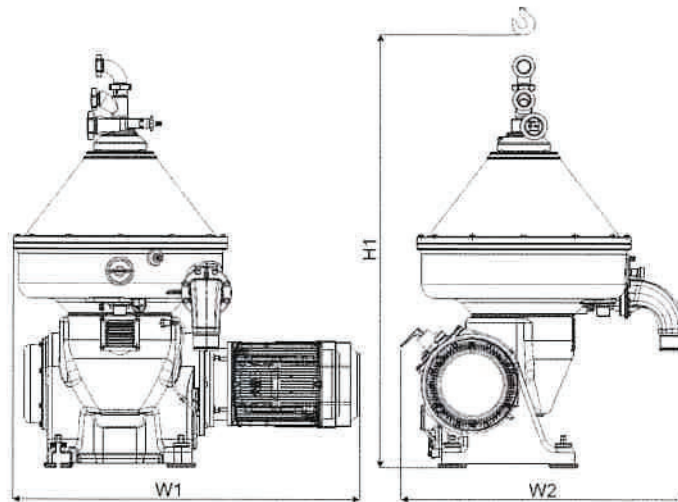


8.0

SHIPPING DATA (approximate):

Gross Weight: 3,316 lbs

Volume: 176 ft³



Dimensions

H1	Minimum 2000 mm (6 ft 6 6/8 inch)
W1	1383 mm (4 ft 6 4/8 inch)
W2	1180 mm (3 ft 10 4/8 inch)