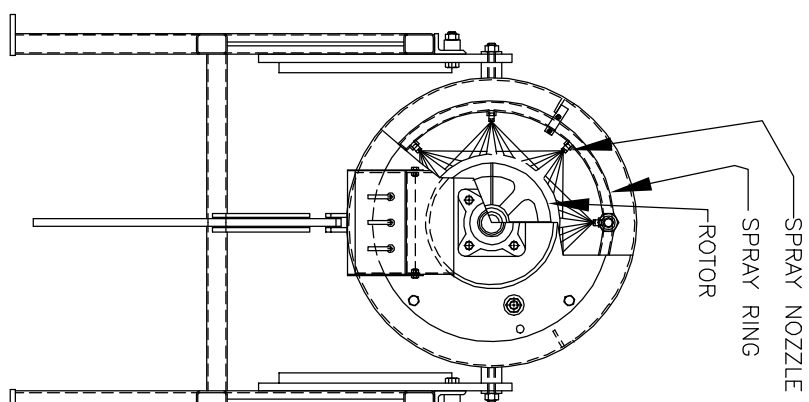


MOTOR
 BELT DRIVE/GUARD
 FLANGE BEARING
 SEAL PLATE
 INLET HEAD
 SPRAY WATER INLET
 FLUID INLET
 INSPECTION DOOR
 AIR CYLINDER
 SLEEVE ASSEMBLY
 SLEEVE
 SPRAY PIPING
 ROTOR
 DISCHARGE HEAD
 FLANGE BEARING
 SEAL PLATE
 SLUDGE DISCHARGE
 SLEEVE TENSIONER SPRING
 MOUNTING FRAME
 DRAIN LINE FOR SEAL LEAKAGE
 FILTRATE LIQUID DISCHARGE
 PIVOT POINT
 MAIN BODY
 ELEVATION ADJUSTMENT ARM



TOLERANCES UNLESS OTHERWISE SPECIFIED
 FRACT. DECIM. ANGUL.
 $\pm 1/32$ $\pm .004$ $\pm .5^\circ$

APPROVALS	DATE
DRAWN MB	1/28/08

CHECKED	
COMP. NAME FF_PARTS_LIST	
W. O. NO.	

Vincent CORPORATION
 TAMPA, FLORIDA
 FIBER FILTER PARTS LIST

THIS PRINT IS THE PROPERTY OF VINCENT CORPORATION. IT MUST NOT BE COPIED OR USED DETRIMENTALLY TO OUR INTERESTS.	SIZE B	DRAWING NO. 94669
SCALE N.T.S.	DO NOT SCALE DWG.	SHEET