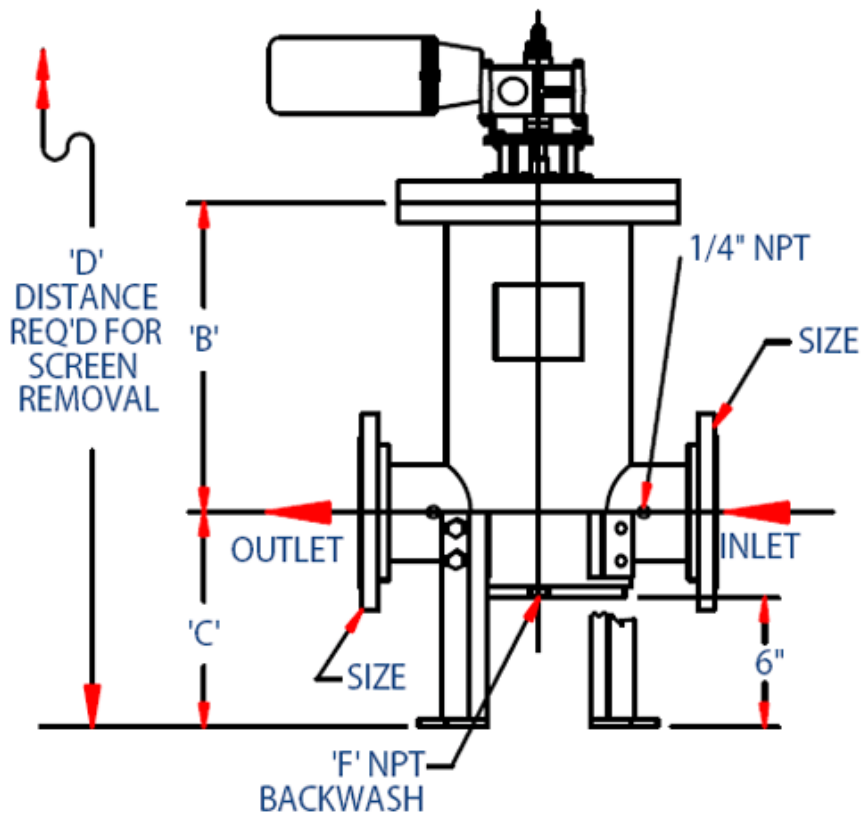


## The Eliminator® Model 793

1" - 10"

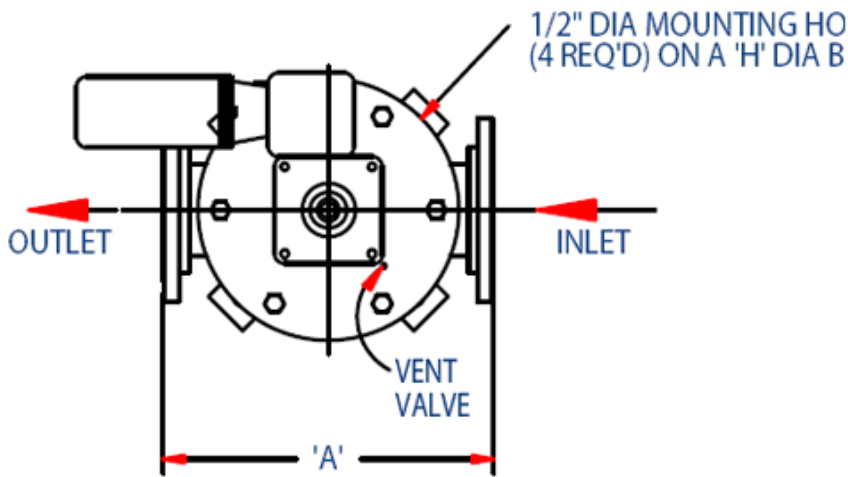
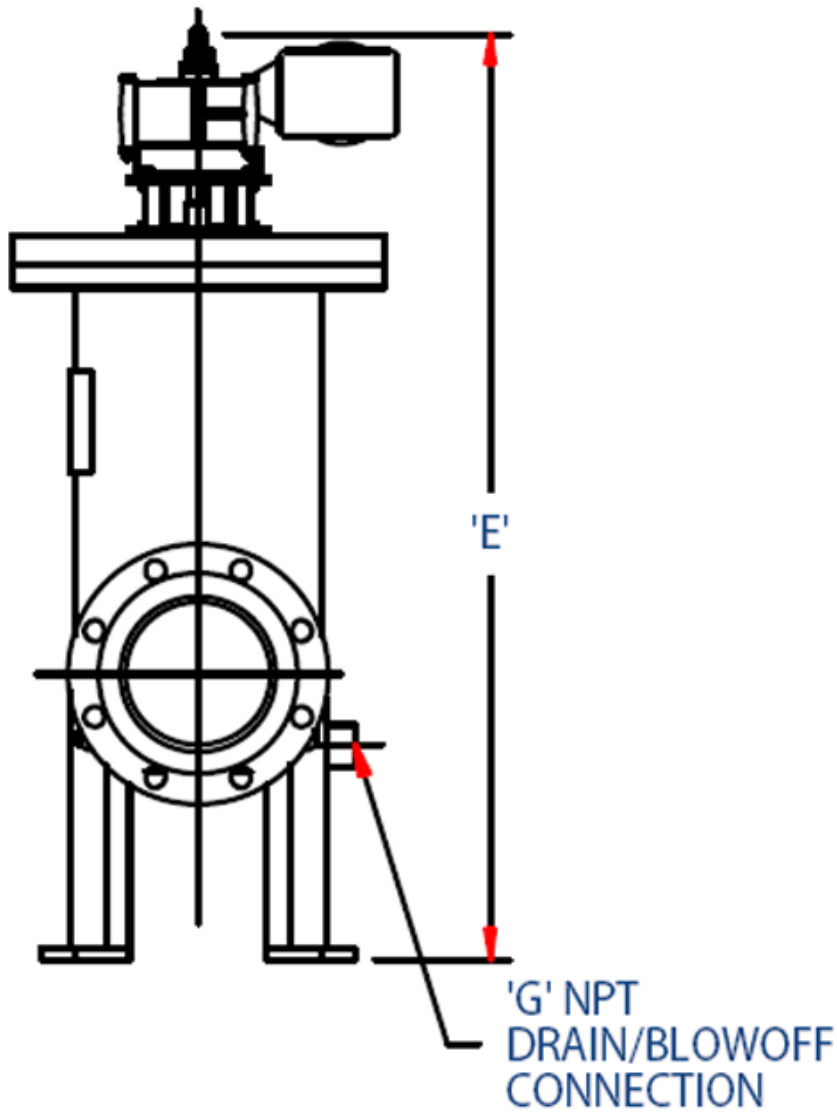


### Model 793

[Product Overview](#)  
[Options](#)  
[How It Works](#)  
[Drawings](#)  
[Download Catalog](#)

### Automatic Strainer Models

[Automatic Strainers Overview](#)  
[Model 721](#)  
[Model 721 CIP](#)  
[Model 723](#)  
[Model 723T](#)  
[Model 751](#)  
[Model 753](#)  
[Model 793](#)



Model No.	Size (in.)	A (in.)	B (in.)
010-793	1-150	16 1/2	14 1/4
015-793	1 1/2-150	16 1/2	14 1/4
020-793	2-150	16 1/2	14 1/4
025-793	2 1/2-150	16 1/2	14 1/4
030-793	3-150	16 1/2	14 1/4
040-793	4-150	16 1/2	14 1/4
060-721/793	6-150	20	15 5/8
080-721/793	8-150	28	18
100-721/793	10-150	28	18

Model No.	C (in.)	D* (in.)	E* (in.)
010-793	10	59	36 1/2
015-793	10	59	36 1/2
020-793	10	59	36 1/2
025-793	10	59	36 1/2
030-793	10	59	36 1/2
040-793	10	59	36 1/2
060-721/793	11	65	38
080-721/793	16	74	46 1/2
100-721/793	16	74	46 1/2

Model No.	F (in.)	G (in.)	H (in.)
010-793	1 NPT	1 NPT	11 7/8
015-793	1 NPT	1 NPT	11 7/8
020-793	1 NPT	1 NPT	11 7/8
025-793	1 NPT	1 NPT	11 7/8
030-793	1 NPT	1 NPT	11 7/8
040-793	1 NPT	1 NPT	11 7/8
060-721/793	1 1/2 NPT	1 NPT	16
080-721/793	1 1/2 NPT	1 NPT	21 1/4
100-721/793	1 1/2 NPT	1 NPT	21 1/4

Model No.	Dry Lbs	Wet Lbs	Lbs Cov.
010-793	295	440	130
015-793	300	445	130
020-793	305	450	130
025-793	310	455	130
030-793	315	460	130
040-793	325	470	130
060-721/793	560	750	170
080-721/793	825	1065	180
100-721/793	840	1080	180

**Note:** All Models have a Motor H.P. of 1/4.

**Note:** (\*) Add 5 1/4 for Model 721. Threaded (NPT) Inlet/Outlet Connections are available. Weights are approximate.

Products	Bag Filters	Horizontal Automatic Strainers
Markets	Basket Strainers	Automatic Strainers
Technical Info	Y Strainers	Auto Skid Package
News	Cone Strainers	Simplex Strainers
About Us	Duplex Strainers	Misc\Custom Products
Contact Us	Cascading Strainers	Gas Products

1432 Walnut Street  
Erie, PA 16502  
Phone: (814) 453 5014  
Fax: (814) 452 6573

© 2013 TM Industrial Supply, Inc. (U.S.A.)