

06018
CENTRAL ILLINOIS
ETHANOL PLANT
CANTON, ILLINOIS

CROSS REFERENCE FILE FORM

EQUIPMENT TAG NUMBER:	PC-9401
INFORMATION/DRAWINGS FILED WITH TAG NUMBER:	PC-2101

06018
CENTRAL ILLINOIS
ETHANOL PLANT
CANTON, ILLINOIS

CROSS REFERENCE FILE FORM

EQUIPMENT TAG NUMBER:	PC-9402
INFORMATION/DRAWINGS FILED WITH TAG NUMBER:	PC-2101

PC⁺9401

06018
CENTRAL ILLINOIS
ETHANOL PLANT
CANTON, ILLINOIS

CROSS REFERENCE FILE FORM

EQUIPMENT TAG NUMBER:	PC-9403
INFORMATION/DRAWINGS FILED WITH TAG NUMBER:	PC-2101

PC⁺9401

06018
CENTRAL ILLINOIS
ETHANOL PLANT
CANTON, ILLINOIS

CROSS REFERENCE FILE FORM

EQUIPMENT TAG NUMBER:	PC-9404
INFORMATION/DRAWINGS FILED WITH TAG NUMBER:	PC-2101

♀
PC 9401



SUPPLIER DOCUMENTS INDEX

TO: LURGI PSI INC
 ATTN: JADWIGA MILLER
 1790 KERBY PARKWAY
 MEMPHIS, TN 38138

CC: KELLY GURENH
 LISA COMPTON

SERIAL NO.: 729F934-1-2-3-4
 CUSTOMER: LURGI PSI INC
 P.O. NO.: 6018-70750 / ORDER: 566188

PUMP ITEM NO.: SEE TEXT
 SERVICE: COOLING WATER SUPPLY PUMP #1
 END USER : CENTRAL ILLINOIS ENERGY, L.L.C.
 PROJECT : 2003-01
 LOCATION : CANTON, ILLINOIS

SUPPLIER INFORMATION : COULDS PUMPS, INC.
 240 FALL STREET
 SENECA FALLS, NY, 13148

CONTRACT ADMINISTRATOR: Carl Sangiacomo
 CONTRACT MANAGER: Dave Spillili
 DATE: 12/18/06
 MAILED VIA: REGULAR MAIL

SUPPLIER DOCUMENT TITLES	SUPPLIER DOC.# / REVISION NO.	REVIEW QTY.	FINAL QTY.	DATE APPROVED	SUB#	DUE DATE	SUBMIT DATE	RETURN DATE	REP. CODE
Pump Documents Required			6P	0/00/00	01	12/18/06	12/12/06	0/00/00	
Pump Outline			6P	0/00/00	01	12/18/06	12/12/06	0/00/00	
Tapped Openings			6P	0/00/00	01	12/18/06	12/12/06	0/00/00	
Pump CDS Curve			6P	0/00/00	01	12/18/06	12/12/06	0/00/00	
Cross Sectional			6P	0/00/00	01	12/18/06	12/12/06	0/00/00	
3196 Pump Instruction Manuals			6P	0/00/00	01	12/06/06	12/06/06	0/00/00	
Seal Documents Required			6P	0/00/00	01	12/18/06	12/12/06	0/00/00	
Seal Drawing			6P	0/00/00	01	12/28/06	12/18/06	0/00/00	
Motor Documents Required			6P	0/00/00	01	12/28/06	12/18/06	0/00/00	
* Motor Outline			6P	0/00/00	01	12/28/06	12/18/06	0/00/00	
* Motor Wiring Diagram			6P	0/00/00	01	12/28/06	12/18/06	0/00/00	
* Motor Electrical/Performance			6P	0/00/00	01	12/28/06	12/18/06	0/00/00	
Motor Instructions-(Reliance)			6P	0/00/00	01	12/06/06	12/06/06	0/00/00	
O.A. Documents Required			6P	0/00/00	01	12/18/06	12/12/06	0/00/00	
Comp. Hydrostatic Test Report			6P	0/00/00	01	12/18/06	12/12/06	0/00/00	

(*) Denotes Documents in this Submittal.

Your complete approval is required before order is scheduled and released to manufacturing. Please forward approval by / / .

The above literature is for your information and records. It does not require your approval. Retain literature as your final distribution.

Note: Any Changes may affect Quoted Price and Shipping Details.

*** End of Report ***

FIELD FILE

File: PC 9401

PC 9402

PC 9403

PC 9404

0180013065

08018
CIE: ETHANOL
Canton, Illinois

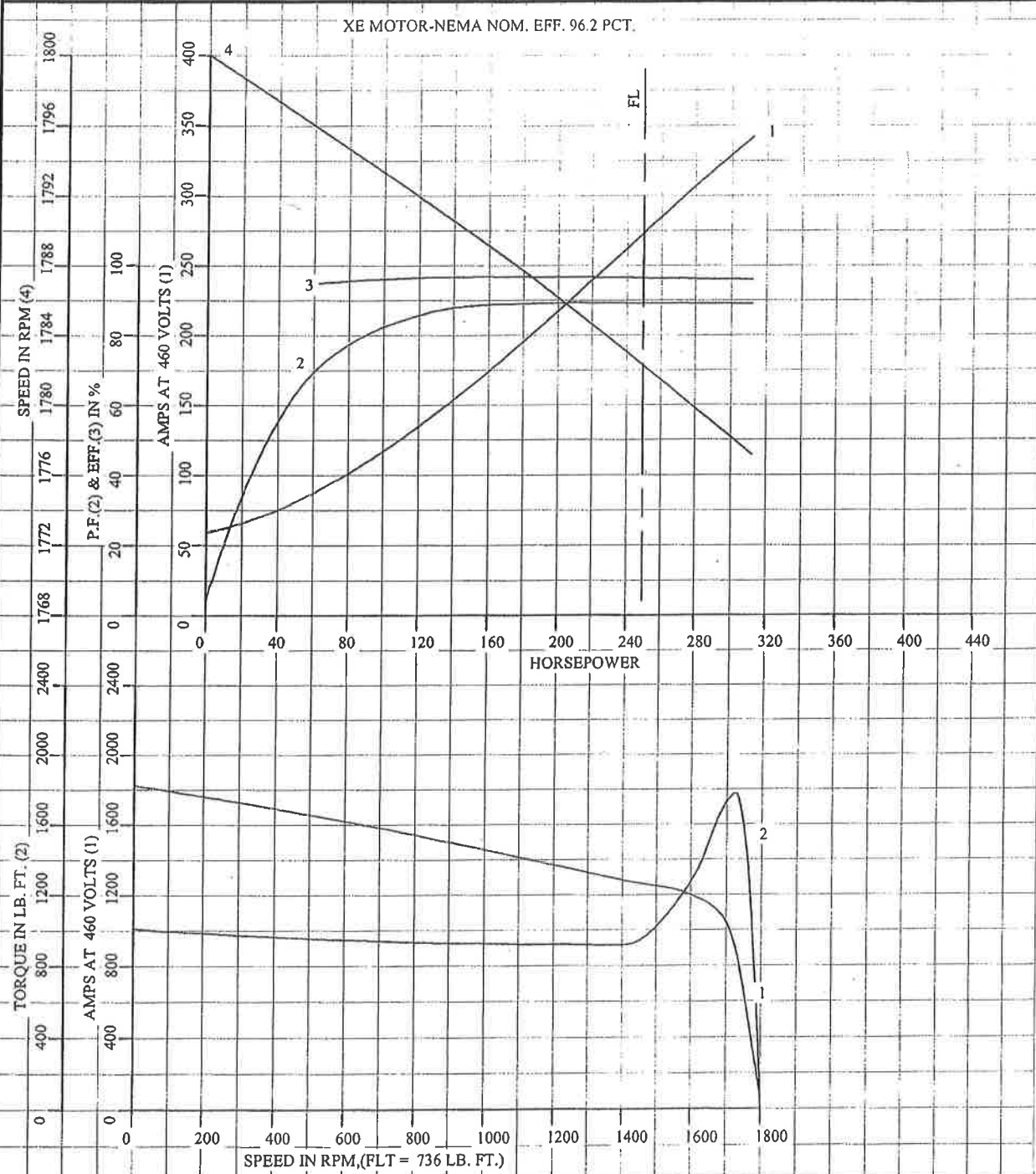
01.02.07

REL S.O.
 FRAME 449T
 BP 250
 TYPE P
 PHASE/HERTZ 3/60

RPM 1780
 VOLTS 460
 AMPS 272
 DUTY CONT
 AMB °C/INSUL 40/F

S.F. 1.15
 NEMA DESIGN B
 CODE LETTER G
 ENCLOSURE FCXE
 E/S 433729

ROTOR 418143047PE
 TEST S.O. CALCULATED DATA
 TEST DATE ---
 STATOR RES. @ 25 °C .0136
 OHMS (BETWEEN LINES)



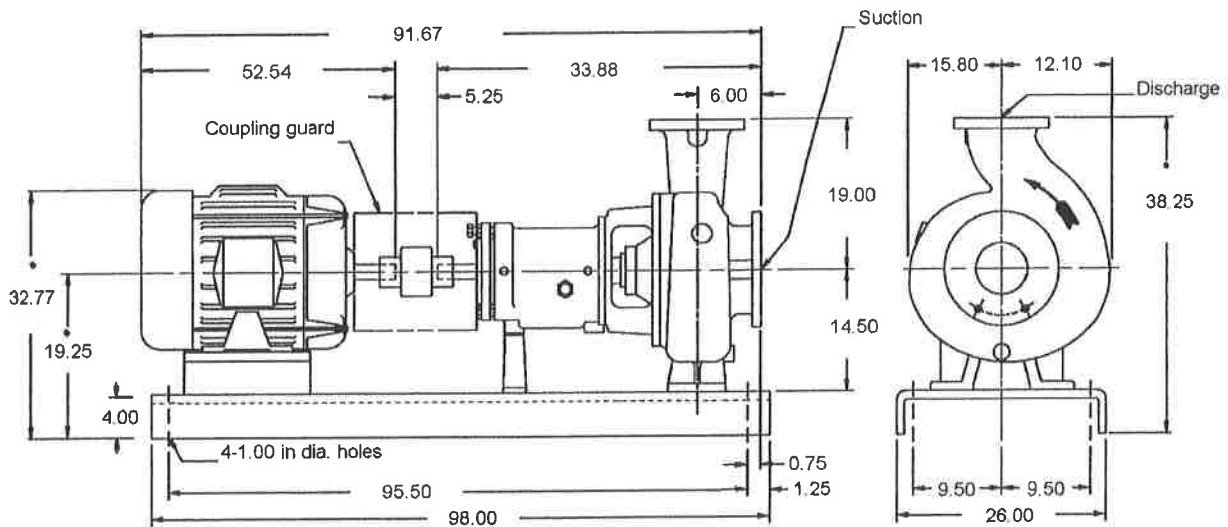
AMPERES SHOWN FOR 460 VOLT CONNECTION, IF OTHER VOLTAGE CONNECTIONS ARE AVAILABLE, THE AMPERES WILL VARY INVERSELY WITH THE RATED VOLTAGE.

Rockwell Automation

DR. BY W. L. SMITH
 CK. BY J. J. HARRISON
 APP. BY D. M. BYRD
 DATE 03/31/04

A-C MOTOR PERFORMANCE CURVES
 W06512-A-A001
 ISSUE DATE 03/31/04

Customer: LURGI PSI, INC.
 Goulds Serial No: 729F934-1-2-3-4
 Customer P.O. No: 6018-70750
 Item No: PC-9401/9402/9403/9404
 Service: COOLING WATER SUPPLY PUMP #1
 End User: CENTRAL ILLINOIS ENERGY L.L.C.
 Project No: 2003-01
 Location: CANTON, ILLINOIS



Pump specification

SUCT.FLANGE SIZE 10"	DRILLING ANSI 150#	FACING FF	FINISH SERRATED
DISCH.FLANGE SIZE 8"	DRILLING ANSI 150#	FACING FF	FINISH SERRATED
PUMP ROTATION (LOOKING AT PUMP FROM MOTOR)		CW	
TYPE OF LUBRICATION FLOOD OIL		COOLED NO	
TYPE OF STUFFING BOX TAPER BORE PLUS WITH AXIAL RIBS		COOLED NO	
TYPE OF SEALING MECHANICAL SEAL			

Weights and Measurements

PUMP	780.0 lb
MOTOR/CPLG	2,550.0/56.0 lb
BASEPLATE	667.0 lb
TOTAL	4,053.0 lb
GR.VOLUME w/BOX	90.3 ft ³
GR.WEIGHT w/BOX	4,505.0 lb

Motor specification

MOTOR BY PUMP MFG	MOUNT BY PUMP MFG	MFG. RELIANCE
FRAME 449T	POWER 250.0 hp	RPM 1800
PHASE 3	FREQUENCY 60 HZ	VOLTS 460
INSULATION F	S.F. 1.15	
ENCLOSURE TEFC-XEX		

Notes and References

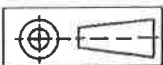
- MTR DIMENSIONS ARE APPROXIMATE
- INSTALL FOUNDATION BOLTS IN PIPE SLEEVES
- ALLOW FROM 0.75 to 1.50in. FOR GROUTING. SEE INSTRUCTION BOOK FOR DETAILS.

*Tolerance is +0 -0.5

FOR PUMP TAPPED OPENINGS REFER TO DWG.: A729934T

Auxiliary specification

COUPLING BY PUMP MFG	CPLG TYPE FALK T35 1080T
CPL GUARD BY PUMP MFG.	CPLG GUARD MATL CARBON STEEL
BASEPLATE FABRICATED STEEL TO ANSI B73.1M 1991 D07090A	
MECH.SEAL JOHN CRANE - 5610Q - O(28)F(55)1O(28)O(58)H	



All dimensions are in inches.
Drawing is not to scale
Weights (lbs) are approximate

DIMENSIONS ARE CERTIFIED FOR CONSTRUCTION BY:

Joyce Sutterby

DATE December 12, 2006

Customer: LURGI PSI, INC.
Goulds Serial No: 729F934-1-2-3-4
Customer P.O. No: 6018-70750
Item No: PC-9401/9402/9403/9404
Service: COOLING WATER SUPPLY PUMP #1
End User: CENTRAL ILLINOIS ENERGY L.L.C.
Project No: 2003-01
Location: CANTON, ILLINOIS

DRAWING NO A729934O **Rev. 0** Date: December 12, 2006

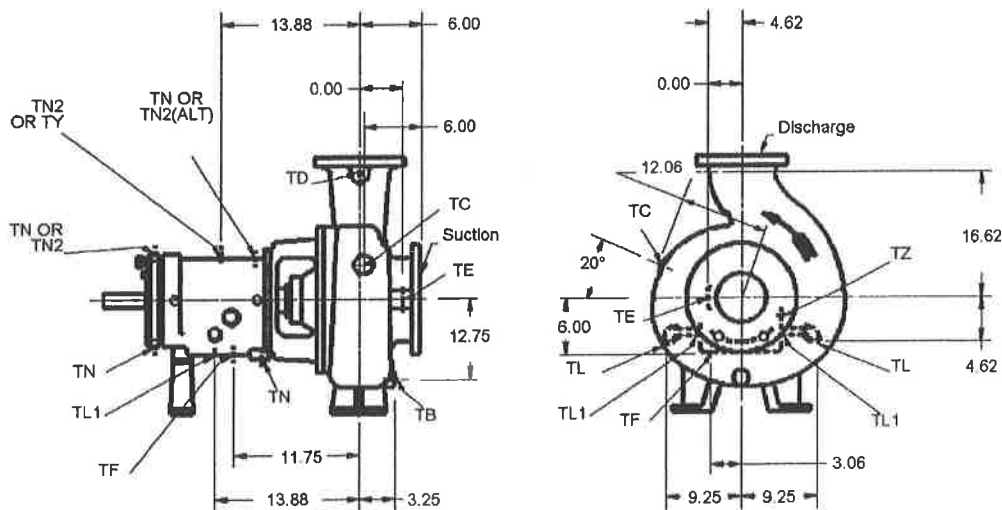
SUPERSEDES ANY PREVIOUS DRAWINGS

GOULDS PUMPS TAPPED OPENINGS Model 3196 X17 Size 8x10-16H



TAPPED OPENINGS MODEL 3196 X17 8x10-16H A.N.S.I NO.

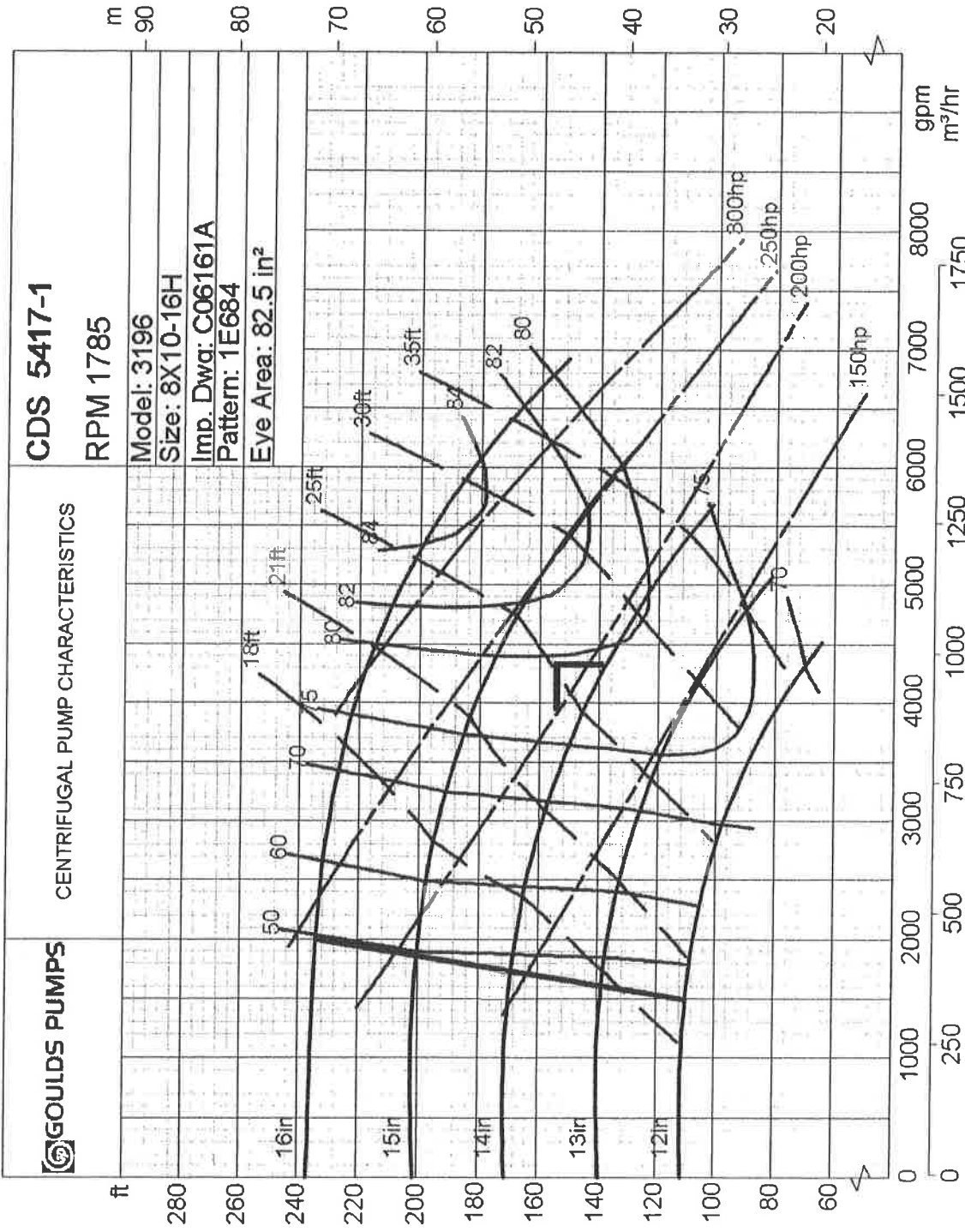
NO.	SIZE	QTY.	PURPOSE	FURNISHED		NO.	SIZE	QTY.	PURPOSE	FURNISHED	
				YES/NO						YES/NO	
TB	1/2	1	CASING DRAIN	YES		TL1	---	2	FRAME COOLER ACCESS	YES	
TC	1/2	1	BY-PASS CONNECTION	NO		TN	1/4	4	GREASE FITTING	YES	
TD	3/8	1	DISCH. GAUGE CONNECTION	NO		TN2	1/4	2	OIL MIST INJECTION PORT	YES	
TE	3/8	1	SUCTION GAUGE CONNECTION	NO		TY	1/2	1	OIL FILL	YES	
TF	3/8	1	BEARING FRAME DRAIN	YES		TZ	1/4	1	BOTTLE OILER CONN.	YES	
TL	1/2	2	FRAME COOLING CONNECTION	NO		TBL	1/4	2	VIB./TEMP. CONN.	YES	



All dimensions are in inches.
Drawing is not to scale

DIMENSIONS ARE CERTIFIED FOR CONSTRUCTION BY:
Joyce Sutterby DATE December 12, 2006
Customer: LURGI PSI, INC.
Goulds Serial No: 729F934-1-2-3-4
Customer P.O. No: 6018-70750
Item No: PC-9401/9402/9403/9404
Service: COOLING WATER SUPPLY PUMP #1
End User: CENTRAL ILLINOIS ENERGY L.L.C.
Project No: 2003-01
Location: CANTON, ILLINOIS

DRAWING NO A729934T **Rev. 0** Date: December 12, 2006
SUPERSEDES ANY PREVIOUS DRAWINGS



Customer: LURGI PSI, INC.
 Goulds Serial No: 7259934-1-2-3-4
 Customer P.O. No: 6018-70750
 Item No: PC-9401/9402/9403/9404
 Service: COOLING WATER SUPPLY PUMP #1
 End User: CENTRAL ILLINOIS ENERGY L.L.C.
 Project No: 2003-01
 Location: CANTON, ILLINOIS

Rated Flow: 4,350.0 gpm
 Rated TDH: 156.0 ft
 Imp. Diam.: 14.5000 in
 Certified By: Joyce Sutterby

