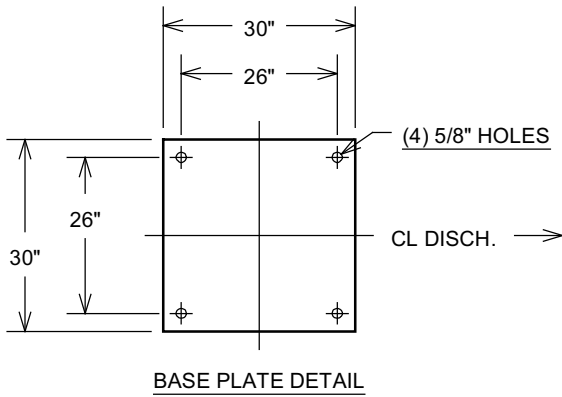
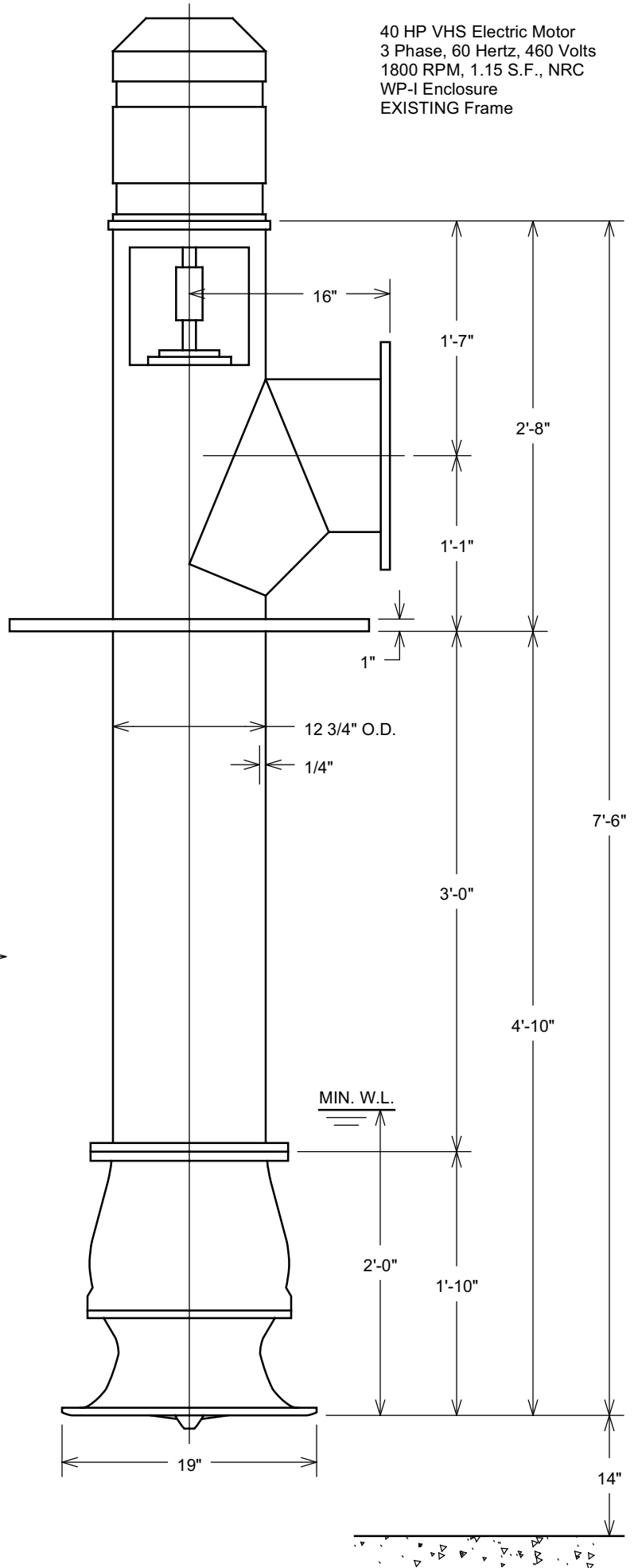


Product Lubrication

40 HP VHS Electric Motor
 3 Phase, 60 Hertz, 460 Volts
 1800 RPM, 1.15 S.F., NRC
 WP-I Enclosure
 EXISTING Frame



| | |
|--|-------------|
| CASCADE PUMP COMPANY SANTA FE SPRINGS, CALIFORNIA | |
| #12MFC Mixed Flow Pump 12"-125# ASA Flanged Discharge | |
| DATE: 04/12/18 | SCALE: NONE |
| DRAWN: RYAN L. | CHECKED: |
| 18-124 A | |

Customer Name: THE ESTABROOK CORP.
 Job Name: CENTRAL ILLINOIS ENERGY
 DUPLICATE OF SO#16909-10



CASCADE PUMP COMPANY
 10107 South Norwalk Boulevard • PO Box 2767
 Santa Fe Springs, California 90670-0767

CURVE NUMBER
MC1204AA3

DATE
 09-90

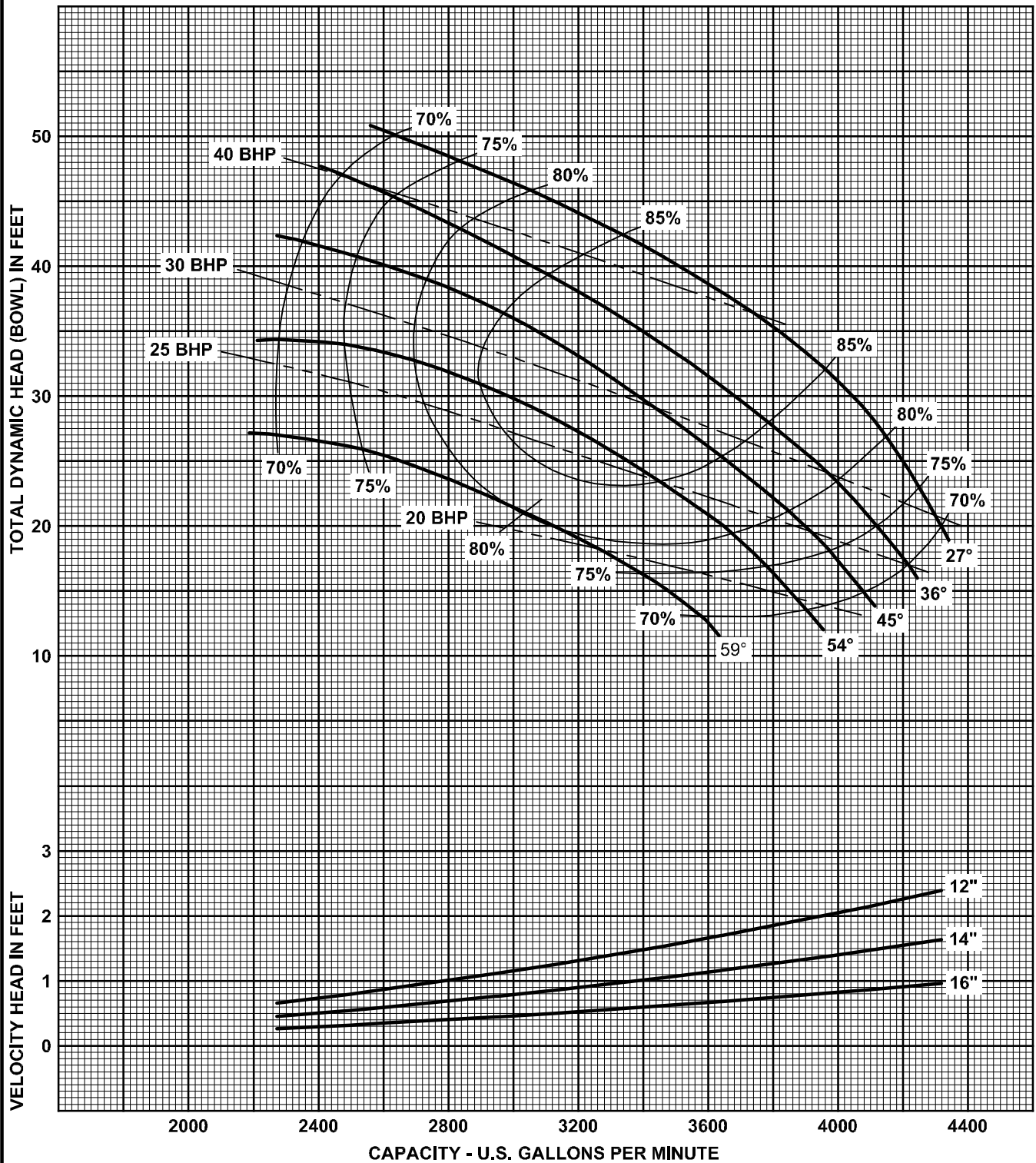
SUPERCEDES
NEW ISSUE

12

MFC

**1760
 RPM**

24 INCHES MINIMUM SUBMERGENCE ABOVE SUCTION BELL



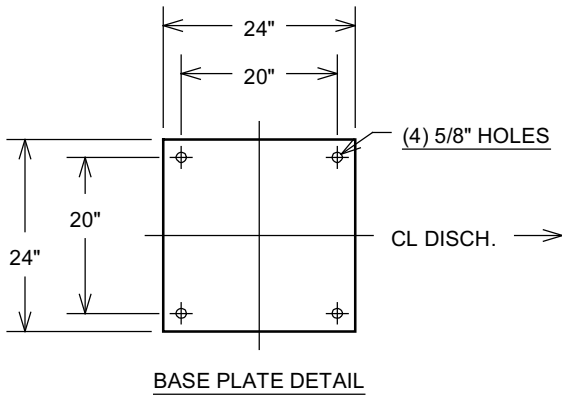
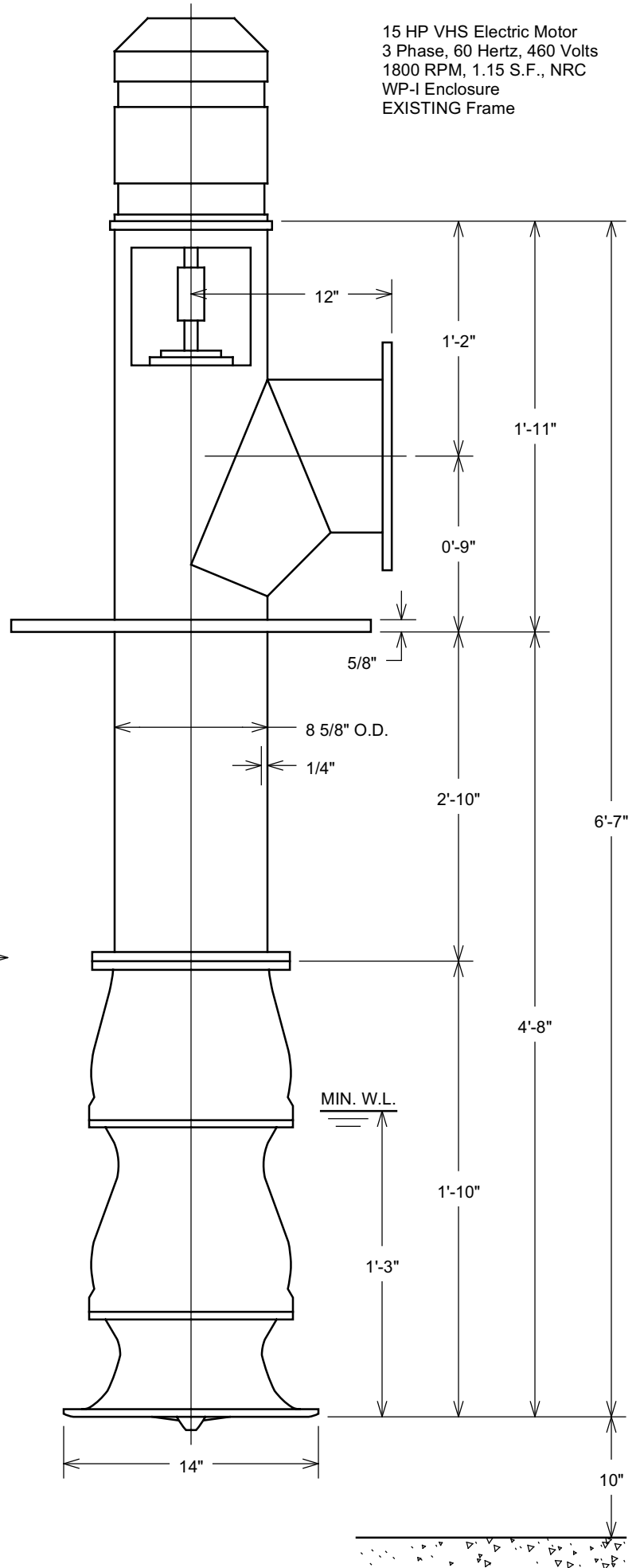
CASCADE MIXED FLOW PUMP

CURVE CHARACTERISTICS BASED ON PUMP PERFORMANCE WITH SPECIFIED AMOUNT OF CLEAR, NON-AERATED, FRESH COLD WATER.

THIS PERFORMANCE CURVE IS FOR ESTIMATING ONLY. CURVE SHOWS SINGLE STAGE PERFORMANCE. FOR MULTIPLE, VARIABLE AND OTHER SPEED APPLICATIONS, CONSULT FACTORY.

Product Lubrication

15 HP VHS Electric Motor
 3 Phase, 60 Hertz, 460 Volts
 1800 RPM, 1.15 S.F., NRC
 WP-I Enclosure
 EXISTING Frame



| | |
|--|-------------|
| <p>Customer Name: THE ESTABROOK CORP. Job Name: CENTRAL ILLINOIS ENERGY DUPLICATE OF SO#16911-12</p> | |
| <p>CASCADE PUMP COMPANY SANTA FE SPRINGS, CALIFORNIA</p> | |
| <p>#6MF 2-Stage Mixed Flow Pump 8" -125# ASA Flanged Discharge</p> | |
| DATE: 04/12/18 | SCALE: NONE |
| DRAWN: RYAN L. | CHECKED: |
| <p>18-124 B</p> | |



CASCADÉ PUMP COMPANY
 10107 South Norwalk Boulevard • PO Box 2767
 Santa Fe Springs, California 90670-0767

CURVE NUMBER
MF0604XA4

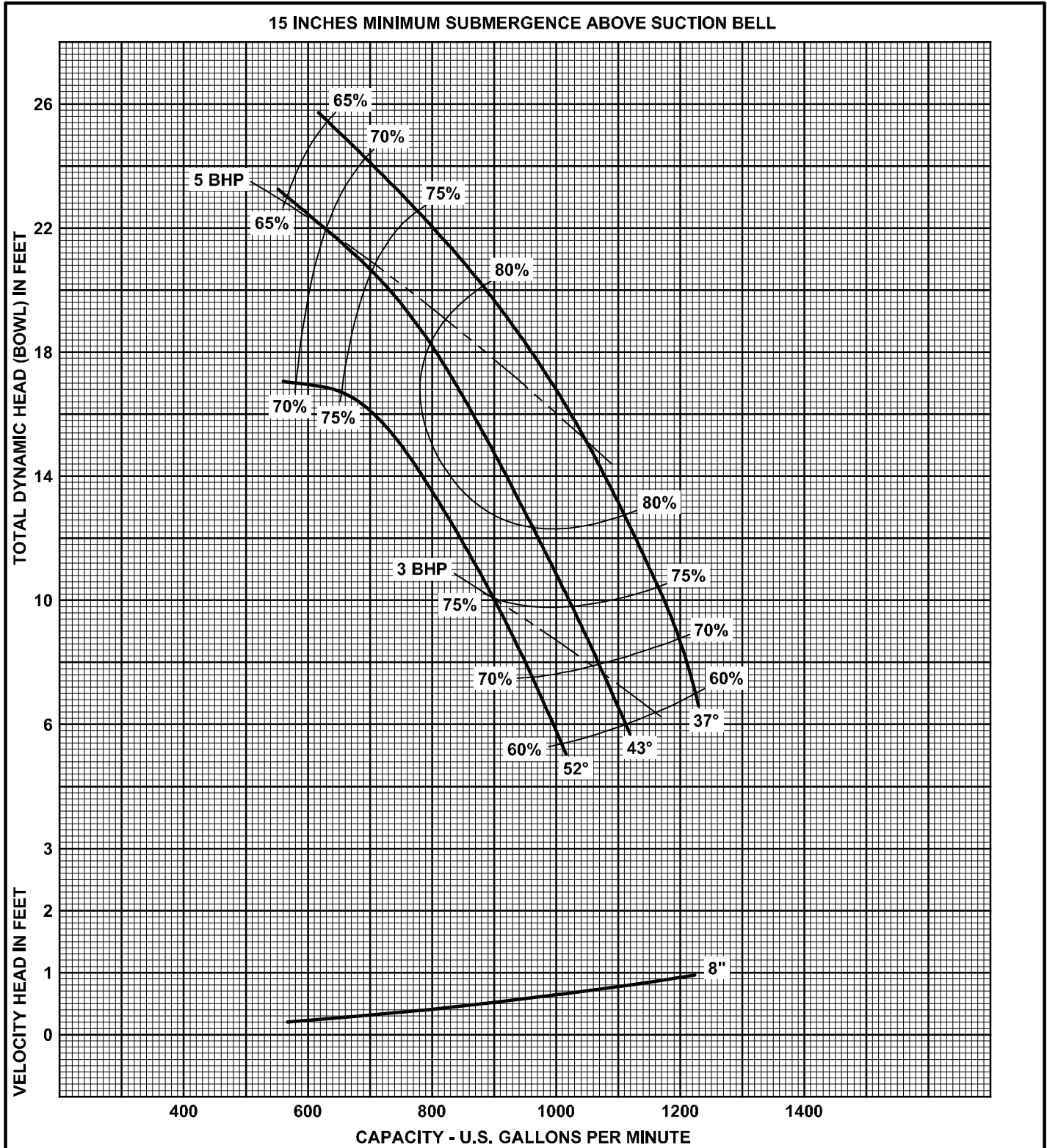
DATE
 03-88

SUPERCEDES
NEW ISSUE

6

MF

**1760
 RPM**



CASCADÉ MIXED FLOW PUMP

CURVE CHARACTERISTICS BASED ON PUMP PERFORMANCE WITH SPECIFIED AMOUNT OF CLEAR, NON-AERATED, FRESH COLD WATER.

THIS PERFORMANCE CURVE IS FOR ESTIMATING ONLY. CURVE SHOWS SINGLE STAGE PERFORMANCE. FOR MULTIPLE, VARIABLE AND OTHER SPEED APPLICATIONS, CONSULT FACTORY.