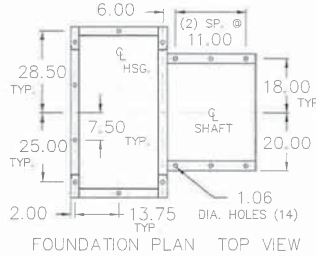
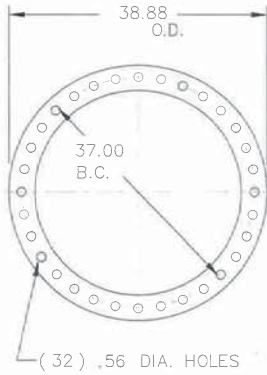


9	PEDESTAL	SSI #1 PER 234047-001-SI
8	OUTLET FLANGE 2.50x2.50 (PUNCHED)	SEE DETAIL
7	INLET FUNNEL	BS9752
6	WHEEL (NOT SHOWN)	SSI #1 PER 234047-001-SI
5	BEARINGS 3.438 DIA.	
4	SHAFT 3.437 DIA. W/ .88x.44 K.WY	AS224720-002-03
3	FRAME W/ 3.00x4.00 BASE ANGLES	NOTE 3
2	HOUSING SCROLL .25 THK.	NOTE 2
1	HOUSING SIDE .25 THK.	BS9566
ITEM	DESCRIPTION	DWG. NO.

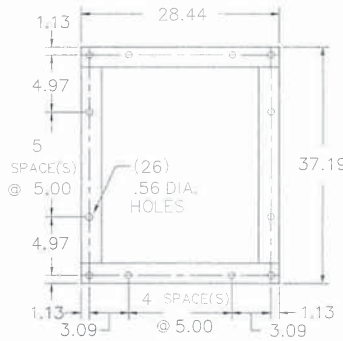
**BILL OF MATERIALS**



**FOUNDATION PLAN TOP VIEW**



**INLET FLANGE**



**OUTLET FLANGE**

**ACCESSORIES**

1. ACCESS DOOR-BOLTED
2. DRAIN-3/4" NPT
3. FLANGE-INLET, PUNCHED (SEE DETAIL)
4. GUARD-BELT, OSHA TYPE (NOTE 1)
5. GUARD-SHAFT & BEARING (NOTE 1)
6. INLET VANES-EXTERNAL(STD-TEMP) 304 SST DAMPER SHAFTS & LINKAGE PER AC15325
7. SPARK RESISTANT CONST. TYPE C
8. SPLIT HOUSING-PIE SHAPED
9. SHAFT SEAL-STD TYPE
10. SWITCH - EXTERNAL LIMIT SWITCH - ALLEN BRADLEY 802 TAP, ADJUSTABLE, DAMPER CLOSED.
11. DO NOT PAINT AIRSTREAM - COAT WITH OIL
12. GASKETS, FULL WIDTH
13. MOUNTING AND TESTING OF CUSTOMER SUPPLIED ACTUATOR & COUPLER
14. ACCESSORIES WITH SSPC-SP6 BLAST
15. SPCL PAINT-EXTERIOR OF FAN PER CUSTOMER SPECS.
16. MOTOR SLIDE BASE (BUILT IN) FOR FAN BASE
17. BASE-UNITARY (NO ISOLATORS) PER BC234050-001-01

**NOTES**

1. SPCL PAINT ON ALL GUARDS OSHA YELLOW
2. HOUSING SCROLL PER BS9566 EXCEPT 2.56 NARROWER THAN STD.
3. FRAME PER BS10727 EXCEPT 2.50 NARROWER THAN STD.
4. CONED TO 3500 F.P.M. BY OTHERS

PERFORMANCE "A"		MOTOR DESCRIPTION	
DENS.	0.062 LB/FT <sup>3</sup>		
C.F.M.	22975	TYPE TEFC	
S.P.	32.3	HP	150 R.P.M. 1800
R.P.M.	2158	MOTOR FRAME	445T
B.H.P.	146.24	PHASE / CYCLE / VOLTAGE	
O.V.	NOTE 4	3/60/460	
TEMP:	134 ELEV: 107	FURNISHED BY	Others
PERFORMANCE "B"		MOUNTED BY TCF	
DENS.	0.062 LB/FT <sup>3</sup>	DRIVE INFORMATION	
C.F.M.		MTR. SHEAVE	BARR-ROSLN
S.P.		MTR BUSHING	
R.P.M.		FAN SHEAVE	
B.H.P.		FAN BUSHING	
O.V.		BELTS	
TEMP:	ELEV:	TYPE	Fixed
WEIGHT:	3912 Less Motor	SERVICE FACTOR:	1.5
		FURNISHED BY	TCF
		MOUNTED BY	TCF

**BELT CENTERS**

MIN	57.1
MAX	62.1
ACTUAL	

**REVISIONS**

REV BY	CHKD BY	DATE



**TWIN CITY FAN & BLOWER**  
5959 TRENTON LANE MINNEAPOLIS, MN. 55442  
MEMBER OF AIR MOVEMENT AND CONTROL ASSOCIATION

DRN BY	KSJ	DATE	4/5/07	CHKD BY	KJ	DATE	4/5/07
SCALE	= NONE		CERT BY				

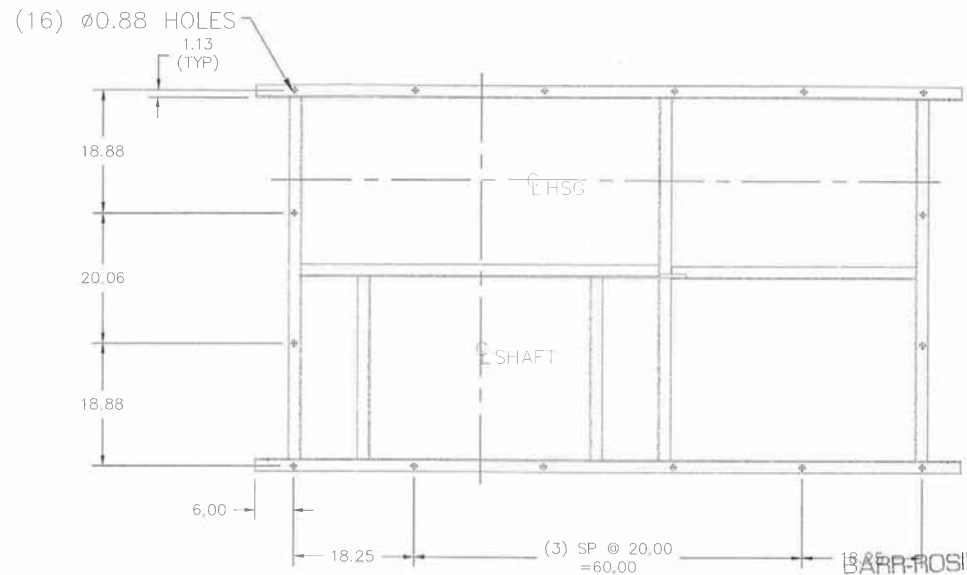
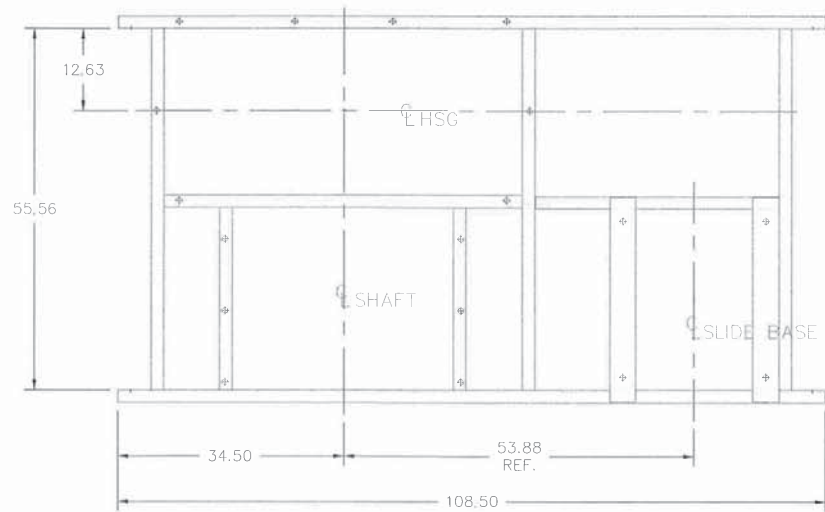
TYPE	ARRANGEMENT	WIDTH	SIZE	CLASS	DISCHARGE
HIB	I	SW	400	24	UBD
ROTATION	ROTATABLE	%WIDTH	%DIA	MOTOR POS.	
CCW	Non-Rot	62	102	W	
REF #	DRAWING NO.			REV.	ITEM
	BC 234050			-	1

**DRAWING NO. BC 234050**

**CUSTOMER:** BARR-ROSLN  
**JOB NAME:** 2409 - FANC - 31 - 01  
**JOB LOCATION:** [REDACTED]  
**CONSULTING ENGINEER:** [REDACTED]  
**S.O. NUMBER:** 234050 **CUST. P.O. No.:** 2409/44  
**TAG UNIT:** FANC/31

**DRAWING NUMBER:** 2409 - FANC - 31 - 01 REV A

THE DESIGN SHOWN ON THIS DRAWING IS THE EXCLUSIVE PROPERTY OF TWIN CITY FAN COMPANIES, LTD. IT IS NOT TO BE USED FOR ANY PURPOSE OR ITS CONTENTS DISCLOSED WITHOUT OUR WRITTEN CONSENT.



BARR-ROSIN  
**RECEIVED**  
 APR 12 2007

SECTION A-A  
 (FOUNDATION PLAN VIEW)

**BARR-ROSIN DRAWING NUMBER**  
 2409 - FANC - 31 - 02 REV A

FAN WEIGHTS		BELT CENTERS		TYPE	ARRANGEMENT	WIDTH	SIZE	CLASS	DISCHARGE
FAN	3142	MIN	57.1	HIB	1	SW	400	24	UBD
MOTOR	1627	MAX	62.1	ROTATION	ROTATABLE	%WIDTH	%DIA		MOTOR POS.
BASE	392	ACTUAL	-	CCW	N	62	102		W

MTR. SHEAVE	-
MTR BUSHING	-
FAN SHEAVE	-
FAN BUSHING	-
BELTS	-
TYPE	FIXED
SERVICE FACTOR:	1.5
FURNISHED BY	TCF
MOUNTED BY	TCF

MOTOR DESCRIPTION	TYPE	TEFC STD. EFF.
	HP	150 R.P.M. 1800
	MOTOR FRAME	445T
	PHASE / CYCLE / VOLTAGE	3/60/460
	FURNISHED BY	CUSTOMER
	MOUNTED BY	TCF

CUSTOMER	BARR-ROSIN INC.
JOB NAME	BRI 2409/44
JOB LOCATION	-
CONSULTING ENGINEER	-
S.O. NUMBER	234050
CUST. P.O. No.	2409/44
TAG UNIT	FANC/31
THE DESIGN SHOWN ON THIS DRAWING IS THE EXCLUSIVE PROPERTY OF TWIN CITY FAN COMPANIES, LTD. IT IS NOT TO BE USED FOR ANY PURPOSE OR ITS CONTENTS DISCLOSED WITHOUT OUR WRITTEN CONSENT.	

DRAWN BY	KSJ
DATE	4/5/07
CHKD BY	KJ
DATE	4/5/07
PART NO.	
MATERIAL	
FILE	234050-001-01

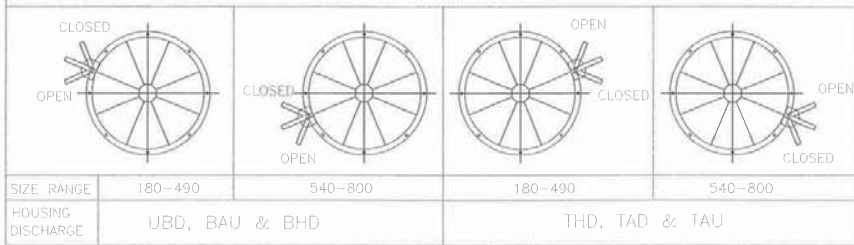
**Twin City Fan Companies, Ltd.**  
 Aerovent • Fiber-Aire • TC Axial • TC Venico • Twin City Fan & Blower  
 Member of Air Movement and Control Association  
 5959 Trenton Lane - Minneapolis, MN 55442-3238

TITLE: **UNITARY BASE ASSEMBLY**

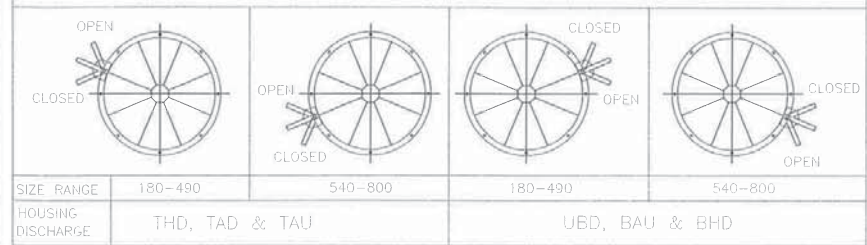
SCALE	DRAWING NO.	ROW	ITEM	REV.
NTS	BC234050	001	01	-

C:\PROGRA~1\BARR-ROSIN\Drawings\234050-001-01.dwg - 2007/04/05 09:55:07 AM - Carole Dardis

"CW" ROTATION FANS, VIEWED FROM INLET



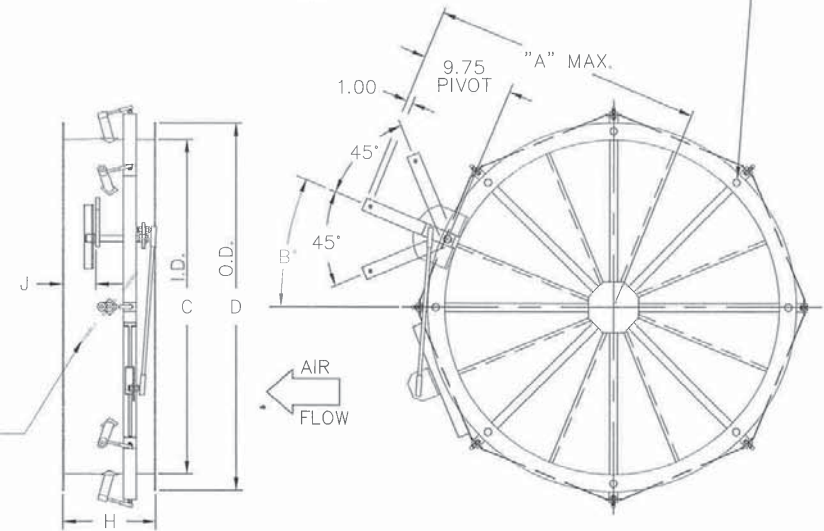
"CCW" ROTATION FANS, VIEWED FROM INLET



SIZE	A	B	C	D	E	F	G	H	J
180	20.31	15.00	16.13	19.75	12	0.56	18.00	6.88	2.25
200	21.13	15.00	17.75	21.50	12	0.56	19.75	7.50	2.50
220	22.00	15.00	19.50	23.25	12	0.56	21.50	8.19	2.75
240	23.44	11.25	21.38	25.00	16	0.56	23.25	8.88	3.00
270	24.63	11.25	23.75	27.50	16	0.56	25.75	9.81	3.25
300	25.75	11.25	26.00	29.75	16	0.56	28.00	10.63	3.50
330	27.00	11.25	28.44	32.50	16	0.56	30.75	11.56	3.88
360	28.56	7.50	31.63	35.63	24	0.56	33.75	12.81	4.25
400	30.13	5.63	34.75	38.88	32	0.56	37.00	14.00	4.63
450	32.00	5.63	38.56	42.50	32	0.56	40.63	10.75	3.63
490	33.94	4.50	42.38	48.50	40	0.69	46.00	11.75	3.88
540	36.19	4.50	46.88	53.00	40	0.69	50.50	12.81	4.25
600	38.56	4.50	51.69	58.00	40	0.69	55.50	14.13	4.75
660	41.31	4.50	57.13	63.25	40	0.69	60.75	15.56	5.25
730	44.31	3.75	63.13	71.25	48	0.69	67.75	13.13	4.38
800	47.38	3.75	69.25	78.00	48	0.69	74.50	14.31	4.75

BARR-ROSIN  
 RECEIVED  
 APR 12 2007

(E) No. OF "F"  
 DIA. HOLES EQ.  
 SP. ON A "G"  
 BOLT CIRCLE



BARR-ROSIN DRAWING NUMBER  
 2409 - DAMR - 31 - 01 REV A

BLADE POSITION FOR  
 CW (CLOCKWISE) FAN  
 PUSH TO OPEN

REVISIONS		REV BY	CHKD BY	DATE	TWIN CITY FAN & BLOWER			
A	PER ECN 0737	RL		2/8/96	3950 TRENTON LANE MINNEAPOLIS, MN 55412 MEMBER OF AIR MOVEMENT AND CONTROL ASSOCIATION			
B	PER ECN 0747	RL		7/5/96	DRN BY	DATE	CHKD BY	DATE
C	PER ECN 0796	FSP		2/25/98	BJB	5/3/95		
					APPRVD BY	DATE	CERT BY	DATE
TITLE HANDLE LOCATION, EXTERNAL INLET VANES RTF, HIB & HRT					DRAWING NO.		REV.	ITEM
					AC15325		C	