

CUSTOMER NAME: LURGI PSI/CENTRAL IL. ENERGY CANTON, IL.	WETTED TRIM MATERIAL	
PURCHASE ORDER #: 6018-70739	PLUG: 316/17-4/STELL. NOZZLE: 316SS/STELL. C.T.: 316SS/STELL.	
CUSTOMER TAG #.: JE-2104 COOK SLURRY HEATER	ACTUATOR: FISHER 667-70	POSITIONER: DVC6010AC
SALES ORDER #: 54819	AIR SUPPLY: 30 PSIG (MIN)	CONTROL SIGNAL: 4-20 MA.
WORK ORDER #: 54819	PRODUCT FLOW RANGE: 500-550 GPM	
SERIAL #: TO BE ISSUED ON BUILD	PRODUCT DISCHARGE TEMP.: 225 DEG. F	
HYDROHEATER MODEL: K514AS	PRODUCT INLET TEMP.: 184 DEG. F	
FLANGE RATING: 150	STEAM PRESSURE: 125 PSIG	
BODY MATERIAL: 316SS	MAX. DISCHARGE PRESSURE: 66 PSIG	

**CUSTOMER APPROVAL**

PLEASE INDICATE APPROVAL STATUS BELOW:

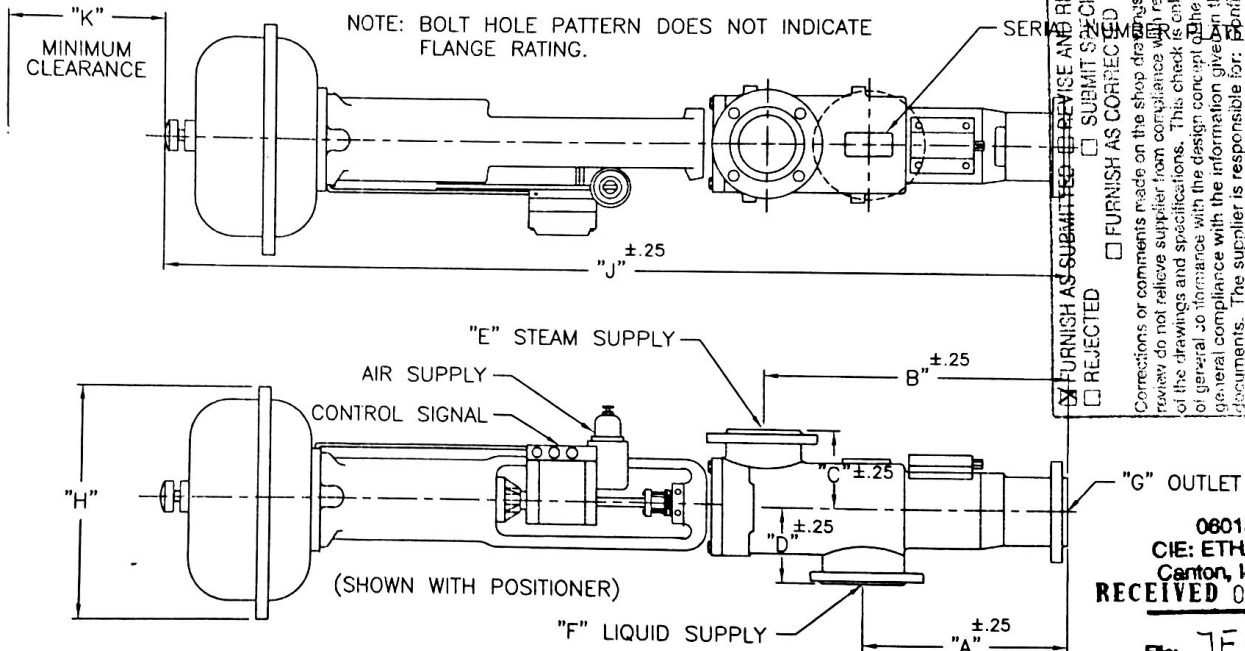
- APPROVED WITH NO CHANGES
- APPROVED AS NOTED
- NOT APPROVED, REVISION REQUIRED, RE-SUBMIT FOR APPROVAL

PLEASE PRINT NAME BELOW:

PLEASE SIGN NAME BELOW:

PLEASE DATE:

A	19 1/2"
B	29 1/2"
C	8 7/8"
D	8 7/8"
E	6"
F	6"
G	6"
H	21 1/8"
J	73 1/8"
K	8"



APPROXIMATE WEIGHT: 704 LBS.

FOR: CENTRAL ILLINOIS ENERGY, CANTON, ILL.

THE LEADER IN ENGINEERED LIQUID HEATING SYSTEMS. PHONE (262) 548-8900 FAX (262) 548-8908									
NOTE: EXTEND DISCHARGE 10 PIPE DIA TO ELBOW (MIN), 20 PIPE DIA TO CONTROL VALVE (MIN). ALL DIMENSIONS IN INCHES. STANDARD PIPING TOLERANCES APPLY.	<table border="1"> <tr> <td>DRAWN BY PAJ</td> <td>DRAWING TITLE "K500" SERIES AUTOMATIC HYDROHEATER</td> </tr> <tr> <td>APPR'D BY</td> <td>DRAWING NUMBER 54819A-1</td> </tr> <tr> <td>DATE 10/5/06</td> <td></td> </tr> <tr> <td>SCALE NTS</td> <td></td> </tr> </table>	DRAWN BY PAJ	DRAWING TITLE "K500" SERIES AUTOMATIC HYDROHEATER	APPR'D BY	DRAWING NUMBER 54819A-1	DATE 10/5/06		SCALE NTS	
DRAWN BY PAJ	DRAWING TITLE "K500" SERIES AUTOMATIC HYDROHEATER								
APPR'D BY	DRAWING NUMBER 54819A-1								
DATE 10/5/06									
SCALE NTS									
<b>APPROVAL PRINT</b>									
 400 PILOT COURT WAUKESHA, WISCONSIN									

FURNISH AS SUBMITTED  
 REJECTED  
 REVISE AND RESUBMIT  
 SUBMIT SPECIFIED ITEM  
 FURNISH AS CORRECTED

Corrections or comments made on the shop drawings during this review do not relieve supplier from compliance with requirements of the drawings and specifications. This check is only for review of general conformance with the design concept of the project and general compliance with the information given in the contract documents. The supplier is responsible for: **confirming and executing all quantities and dimensions; selecting fabrication processes and techniques of construction; coordinating his work with that of all other trades; and performing his work in a safe and satisfactory manner.**

Lurgi PSI, INC.  
MEMPHIS, TN  
By: *[Signature]*  
Date: 10/24/2006

06018  
CIE: ETHANOL  
Canton, Illinois  
RECEIVED OCT 23 2006

File: JE 2104

0180011001