



<p>TO: -DELTA-T PROJECT SERVICES GROUP,LLC P.O. BOX 86810 ATTN: KIM MOON BATON ROUGE, LA 70879 kbmoon@fbd.com -DELTA-T CORPORATION 133 WALLER MILL RD ATN: DOCUMENT CONTROL docjobs@ WILLIAMSBURG, VA 23185 deltacorp.com CC: PUTA SAYEH (Transmittal Copy only) psayeh@deltacorp.com MARK ANDRUS (mark.andrus@itt.com)</p>	<p>SERIAL NO.: A734F846 CUSTOMER: BUNGE-ERGON VICKSBURG LLC / ORDER: 602440 P.O.NO.: 4500145890 PUMP ITEM NO.: PC-7901 SERVICE: RECLAIM WATER COLLECTION TANK OWNER : BUNGE-ERGON VICKSBURG,LLC PROJECT : BUNGE-ERGON JOB# : 61310</p>	<p>SUPPLIER INFORMATION : GOULDS PUMPS, INC. 240 FALL STREET SENECA FALLS,NY,13148</p> <p>CONTRACT ADMINISTRATOR: Carl Sangiacomo CONTRACT MANAGER: Dave Spruill DATE: 5/31/07 MAILED VIA: E-MAIL & REGULAR MAIL</p>
-------------------------------------------------------------------------------------------------------------------------------------------------------------------------------------------------------------------------------------------------------------------------------------------------------------------------------------------------------------------------------------------------------------------------------------	-----------------------------------------------------------------------------------------------------------------------------------------------------------------------------------------------------------------------------------------------------------------------------------------------------------------------------------	--------------------------------------------------------------------------------------------------------------------------------------------------------------------------------------------------------------------------------------------------------------------------------------------------

SUPPLIER DOCUMENT TITLE	CUSTOMER DOCUMENT CODE	SUPPLIER DOC.# / REVISION NO.	REVIEW QTY.	FINAL QTY.	DATE APPROVED	DUE DATE				RET. CODE
						SUB#	DATE	DATE	DATE	
Pump Documents Required										
* Pump Outline				1P+1E	0/00/00	01	5/31/07	5/31/07	0/00/00	
* Tapped Openings				1P+1E	0/00/00	01	5/31/07	5/31/07	0/00/00	
* Pump CDS Curve				1P+1E	0/00/00	01	5/31/07	5/31/07	0/00/00	
* Cross Sectional				1P+1E	0/00/00	01	5/31/07	5/31/07	0/00/00	
* Nozzle Loading				1P+1E	0/00/00	01	5/31/07	5/31/07	0/00/00	
* ANSI Pump Instruction Manuals				1P+1E	0/00/00	01	5/31/07	5/31/07	0/00/00	
* Std.Seal Piping				1P+1E	0/00/00	01	5/31/07	5/31/07	0/00/00	
Seal Documents Required										
* Seal Drawing				1P+1E	0/00/00	01	5/31/07	5/31/07	0/00/00	
Motor Documents Required										
* Motor Outline				1P+1E	0/00/00	01	5/31/07	5/31/07	0/00/00	
* Motor Wiring Diagram				1P+1E	0/00/00	01	5/31/07	5/31/07	0/00/00	
* Motor Electrical/Performance				1P+1E	0/00/00	01	5/31/07	5/31/07	0/00/00	
* Motor Instructions-(Reliance)				1P+1E	0/00/00	01	5/31/07	5/31/07	0/00/00	

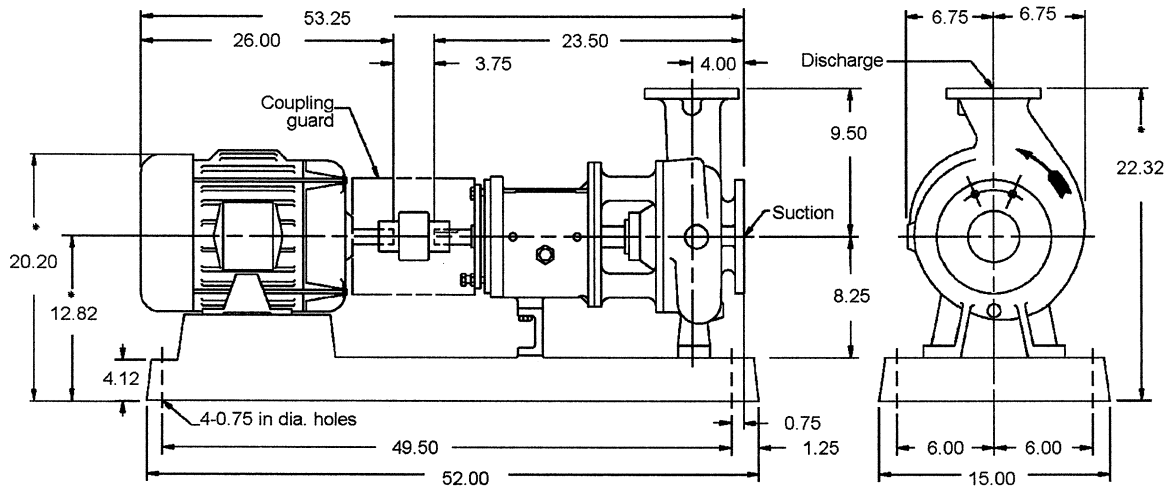
(*) Denotes Documents in this Submittal.

*** End of Report ***

— Your complete Approval is required before order is scheduled and released to manufacturing. Please forward Approval by / / .

** The above literature is for your information and records. It does not requires your approval. Retain literature as your final distribution.

Note: Any Changes may affect Quoted Price and Shipping Details.



Pump specification

SUCT.FLANGE SIZE 3"	DRILLING ANSI 150#	FACING FF	FINISH SERRATED
DISCH.FLANGE SIZE 2"	DRILLING ANSI 150#	FACING FF	FINISH SERRATED
PUMP ROTATION (LOOKING AT PUMP FROM MOTOR)		CW	
TYPE OF LUBRICATION FLOOD OIL		COOLED NO	
TYPE OF STUFFING BOX TAPER BORE PLUS WITH VPE		COOLED NO	
TYPE OF SEALING MECHANICAL SEAL			

Weights and Measurements

PUMP	250.0 lb
MOTOR/CPLG	395.0/10.0 lb
BASEPLATE	155.0 lb
TOTAL	810.0 lb
GR.VOLUME w/BOX	19.1 ft ³
GR.WEIGHT w/BOX	906.0 lb

Motor specification

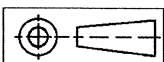
MOTOR BY PUMP MFG	MOUNT BY PUMP MFG	MFG. RELIANCE
FRAME 286TS	POWER 30.0 hp	RPM 3600
PHASE 3	FREQUENCY 60 HZ	VOLTS 460
INSULATION F	S.F. 1.15	
ENCLOSURE TEFC-XEX SEVERE DUTY PREM. EFF.		

Notes and References

<ul style="list-style-type: none"> - MTR DIMENSIONS ARE APPROXIMATE - INSTALL FOUNDATION BOLTS IN PIPE SLEEVES - ALLOW FROM 0.75 to 1.50in. FOR GROUTING. SEE INSTRUCTION BOOK FOR DETAILS. <p>*Tolerance is +0 -0.5</p>
FOR PUMP TAPPED OPENINGS REFER TO DWG.: A734846T

Auxiliary specification

COUPLING BY PUMP MFG	CPLG TYPE T.B. WOOD'S SC 7
CPL GUARD BY PUMP MFG.	CPLG GUARD MATL. CARBON STEEL
BASEPLATE CAST IRON CAMBER TOP B00058A	
MECH.SEAL AES - CURC - ABCT14A01-A	



All dimensions are in inches.
Drawing is not to scale
Weights (lbs) are approximate

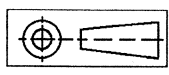
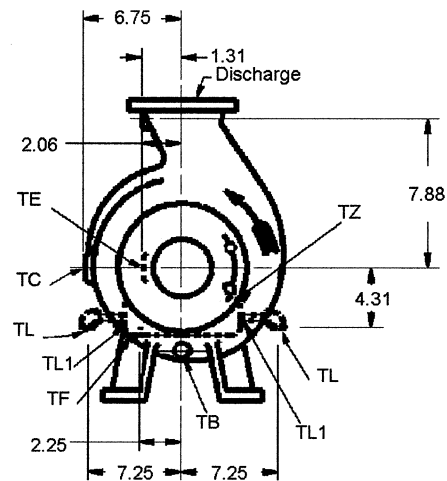
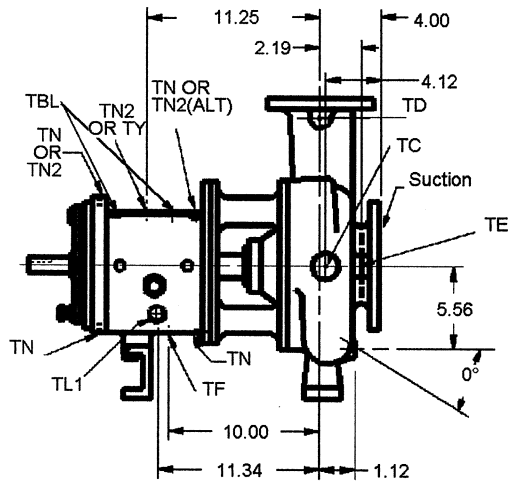
DIMENSIONS ARE CERTIFIED FOR CONSTRUCTION BY:
Andrew Young DATE May 31, 2007

Customer: BUNGE-ERGON VICKSBURG LLC
Goulds Serial No: A734F846
Customer P.O. No: 4500145890
Item No: PC-7901
Service: Reclaim Water Collection Tank Pump
Owner: BUNGE-ERGON VICKSBURG, LLC
Project: BUNGE-ERGON
Job#: 61310

DRAWING NO A7348460 **Rev. 0** Date: May 31, 2007
SUPERSEDES ANY PREVIOUS DRAWINGS

TAPPED OPENINGS MODEL 3196 MTX 2x3-10 A.N.S.I. NO. A60

NO.	SIZE	QTY.	PURPOSE	FURNISHED		NO.	SIZE	QTY.	PURPOSE	FURNISHED	
				YES/NO	YES/NO					YES/NO	YES/NO
TB	1/2	1	CASING DRAIN	YES		TL1	---	2	FRAME COOLER ACCESS	YES	
TC	1/2	1	BY-PASS CONNECTION	YES		TN	1/4	4	GREASE FITTING	YES	
TD	3/8	1	DISCH. GAUGE CONNECTION	NO		TN2	1/4	2	OIL MIST INJECTION PORT	YES	
TE	3/8	1	SUCTION GAUGE CONNECTION	NO		TY	1/2	1	OIL FILL	YES	
TF	3/8	1	BEARING FRAME DRAIN	YES		TZ	1/4	1	BOTTLE OILER CONNECTION	YES	
TL	1/2	2	FRAME COOLING CONNECTION	NO		TBL	1/4	2	VIB./TEMP. CONNECTION	YES	



All dimensions are in inches.
Drawing is not to scale

DIMENSIONS ARE CERTIFIED FOR CONSTRUCTION BY:
Andrew Young DATE May 31, 2007

Customer: BUNGE-ERGON VICKSBURG LLC
 Goulds Serial No: A734F846
 Customer P.O. No: 4500145890
 Item No: PC-7901
 Service: Reclaim Water Collection Tank Pump
 Owner: BUNGE-ERGON VICKSBURG, LLC
 Project: BUNGE-ERGON
 Job#: 61310

DRAWING NO A734846T **Rev. 0** Date: May 31, 2007

SUPERSEDES ANY PREVIOUS DRAWINGS



CENTRIFUGAL PUMP CHARACTERISTICS

CDS 5024-3

RPM 3560

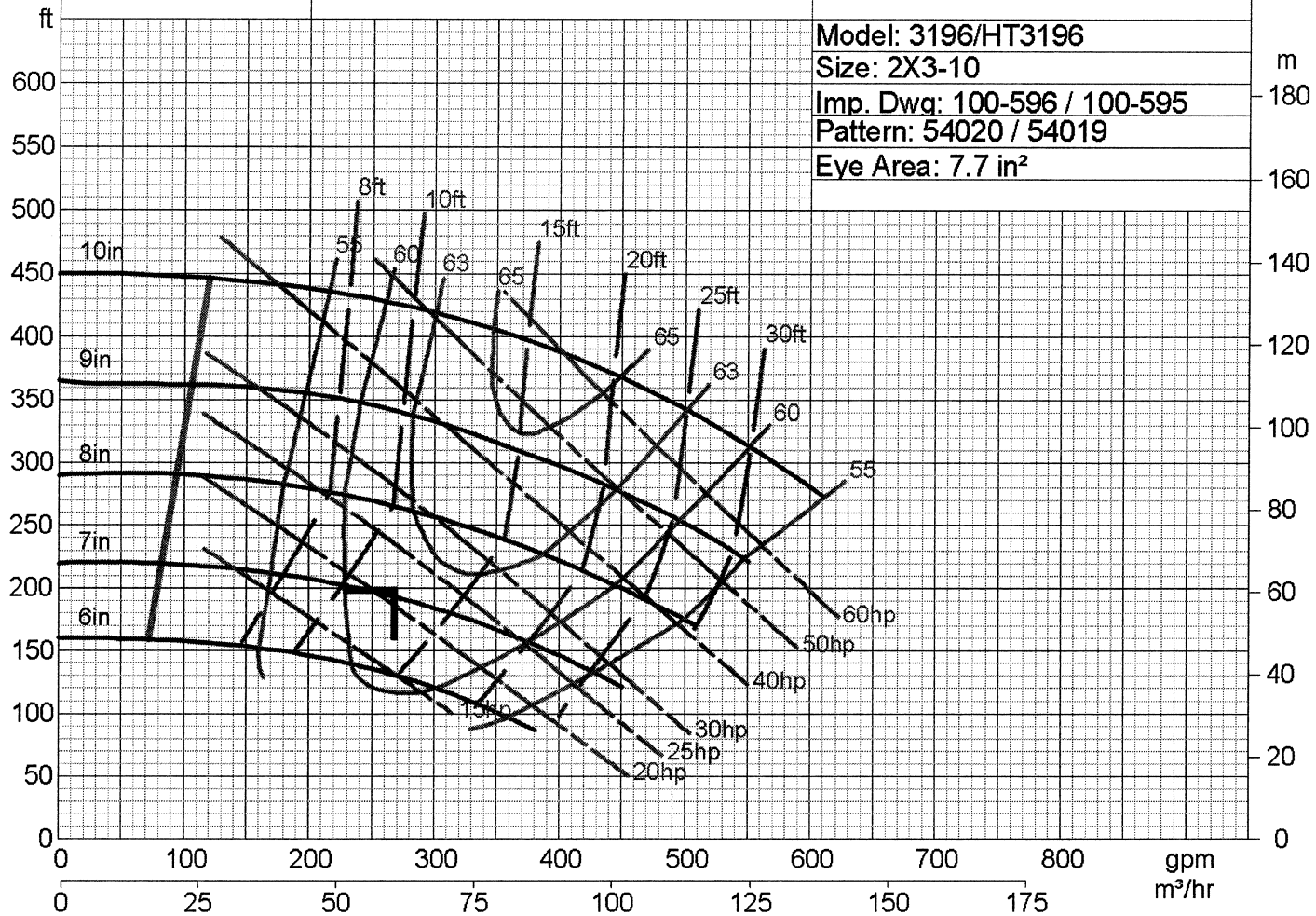
Model: 3196/HT3196

Size: 2X3-10

Imp. Dwg: 100-596 / 100-595

Pattern: 54020 / 54019

Eye Area: 7.7 in²



Rated Flow: 270.0 gpm
Rated TDH: 193.0 ft
Imp. Diam.: 7.1250 in
Certified By: Andrew Young

Customer: BUNGE-ERGON VICKSBURG LLC
Goulds Serial No: A734F846
Customer P.O. No: 4500145890
Item No: PC-7901
Service: Reclaim Water Collection Tank Pump
Owner: BUNGE-ERGON VICKSBURG, LLC
Project: BUNGE-ERGON
Job#: 61310



725.1A400

June 9, 2000

(Sup. 8/13/99)

English Units

FLANGE LOADING CONSTANTS

MODEL 3196 (EXCEPT TITANIUM XLT-X)

Materials: DI, Steel

Flanges: 150 & 300

Size	F _{max}		M _{max}		F _{amax}		M _{bmax}	
	Suction	Discharge	Suction	Discharge	Suction	Discharge	Suction	Discharge
1 x 1½-6	970	200	1,150	535	7,470	2,565	995	365
1½ x 3-6	1,060	210	1,250	565	6,865	3,440	965	265
2 x 3-6	870	210	1,055	570	4,580	2,005	965	465
1 x 1½-8	970	200	1,155	535	7,470	2,565	995	365
1½ x 3-8	1,060	210	1,250	565	6,865	3,440	965	265
2 x 3-8	885	450	1,160	610	-	-	-	-
2 x 3-8	1,115	650	1,675	975	-	-	-	-
3 x 4-7	1,050	620	1,400	1,160	-	-	-	-
3 x 4-8/G	1,050	620	1,400	1,160	-	-	-	-
1 x 2-10	1,410	1,020	1,980	1,660	11,560	6,600	1,040	330
1½ x 3-10	1,110	735	1,710	1,030	-	-	-	-
2 x 3-10	1,075	730	1,655	1,060	-	-	-	-
3 x 4-10/H	1,080	620	1,440	1,170	-	-	-	-
4 x 6-10/G/H	840	725	1,460	1,190	-	-	-	-
1½ x 3-13	985	655	1,450	1,060	-	-	-	-
2 x 3-13	1,330	790	2,950	1,740	-	-	-	-
3 x 4-13	1,140	785	2,300	1,925	-	-	-	-
4 x 6-13	1,480	625	2,960	1,480	-	-	-	-
6 x 8-13	4,735	1,560	10,125	11,395	15,415	7,335	7,585	6,710
8 x 10-13	4,580	1,855	9,640	14,240	12,175	9,640	5,655	7,595
6 x 8-15	4,500	1,045	9,280	8,010	-	-	-	-
8 x 10-15/G	3,995	1,495	8,360	11,755	8,380	3,615	7,345	9,905

MATERIAL: DI, STEEL

8 x 10- 16H	5,092	1,832	9,055	14,750	9,308	7,444	7,189	8,505
4 x 6-17	4,847	1,556	7,197	7,740	9,223	7,170	7,649	5,090
6 x 8-17	4,902	1,559	8,827	9,377	15,704	7,289	7,585	6,710
8 x 10-17	4,828	1,750	8,992	14,741	9,236	7,334	7,713	8,452

MODEL 3196 XLT-X

Material: Titanium

Flanges: 150

Size	F _{max}		M _{max}		F _{amax}		M _{bmax}	
	Suction	Discharge	Suction	Discharge	Suction	Discharge	Suction	Discharge
6x8-13	5,375	2,015	11,495	14,735	16,915	14,955	5,320	4,240
8x10-13	5,175	2,280	10,906	17,535	10,130	16,555	5,410	5,320
6x8-15	5,455	1,920	11,490	14,735	17,170	14,255	5,320	4,240
8x10-15/G	5,210	2,230	9,195	17,525	10,127	3,780	5,410	5,320
8x10-16H	5,601	2,015	9,960	16,225	10,238	8,188	7,908	9,355
4x6-17	5,251	2,010	8,171	8,787	10,120	14,619	5,365	3,216
6x8-17	5,565	2,014	10,022	10,645	17,231	14,862	5,320	4,240
8x10-17	5,230	2,260	10,210	16,735	10,135	14,953	5,410	5,340

Customer: BUNGE-ERGON VICKSBURG LLC
 Goulds Serial No: A734F846
 Customer P.O. No: 4500145890
 Item No: PC-7901
 Service: Reclaim Water Collection Tank Pump
 Owner: BUNGE-ERGON VICKSBURG, LLC
 Project: BUNGE-ERGON
 Job#: 61310

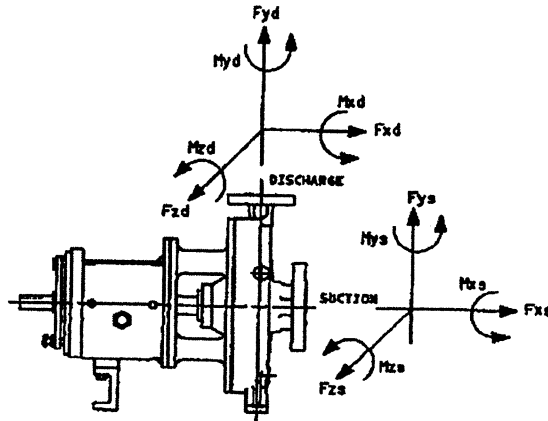
Drawing No. FLC3196

Page 1 of 2

725.1A400

June 9, 2000
(Sup. 8/13/99)

MAXIMUM ALLOWABLE FLANGE LOADS ON GOULDS END SUCTION PUMPS (Model 3196)



Terms:

$F_{xs}, F_{ys}, F_{zs}, F_{xd}, F_{yd}, F_{zd}$
 $M_{xs}, M_{ys}, M_{zs}, M_{xd}, M_{yd}, M_{zd}$
 F_t
 F_c
 $F_{max}, F_{amax}, M_{max}, M_{bmax}$

Applied forces as shown in Figure 1, units in lbs.

Applied moments as shown in Figure 1, units in ft-lbs.

Tensile force on discharge (F_{yd} if $F_{yd} \geq 0$, 0 if $F_{yd} < 0$), units in lbs.

Compressive force on discharge ($-F_{yd}$ if $F_{yd} < 0$, 0 if $F_{yd} \geq 0$), units in lbs.

Constants dependent on pump size & flange (Tables 1-8)

(When no entry is found in tables, equations using these constants may be disregarded.)

Loads applied to flanges must meet the following criteria:

Suction:

Discharge:

$$(1) \frac{\sqrt{F_{xs}^2 + F_{ys}^2 + F_{zs}^2}}{F_{max}} + \frac{\sqrt{M_{xs}^2 + M_{ys}^2 + M_{zs}^2}}{M_{max}} \leq 1 \quad (1) \frac{\sqrt{F_{xd}^2 + F_t^2 + F_{zd}^2}}{F_{max}} + \frac{\sqrt{M_{xd}^2 + M_{yd}^2 + M_{zd}^2}}{M_{max}} \leq 1$$

$$(2) \frac{\sqrt{F_{xs}^2 + F_{ys}^2 + F_{zs}^2}}{F_{amax}} + \frac{\sqrt{M_{xs}^2 + M_{ys}^2 + M_{zs}^2}}{M_{bmax}} \leq 1 \quad (2) \frac{\sqrt{F_{xd}^2 + F_t^2 + F_{zd}^2}}{F_{amax}} + \frac{\sqrt{M_{xd}^2 + M_{yd}^2 + M_{zd}^2}}{M_{bmax}} \leq 1$$

$$(3) \frac{|F_{xs}|}{.85 F_{max}} + \frac{\sqrt{M_{ys}^2 + M_{zs}^2}}{.64 M_{max}} \leq 1 \quad (3) \frac{F_t}{.85 F_{max}} + \frac{\sqrt{M_{xd}^2 + M_{zd}^2}}{.64 M_{max}} \leq 1$$

$$(4) \frac{|F_{xs}|}{.85 F_{amax}} + \frac{\sqrt{M_{ys}^2 + M_{zs}^2}}{.64 M_{bmax}} \leq 1 \quad (4) \frac{F_t}{.85 F_{amax}} + \frac{\sqrt{M_{xd}^2 + M_{zd}^2}}{.64 M_{bmax}} \leq 1$$

$$(5) F_c \leq F_{max}$$

Goulds Pumps



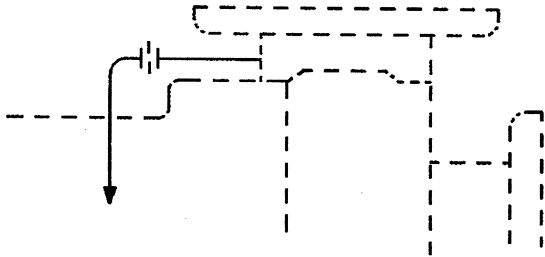
ITT Industries

PIPING DRAWING

Model 3196

FLUSH PLAN 11 DESCRIPTION RECIRCULATION FROM PUMP CASE THROUGH ORIFICE TO SEAL.

CPI Plan 7311 316SS tubing with 0.035 in wall thickness



CONSTRUCTION

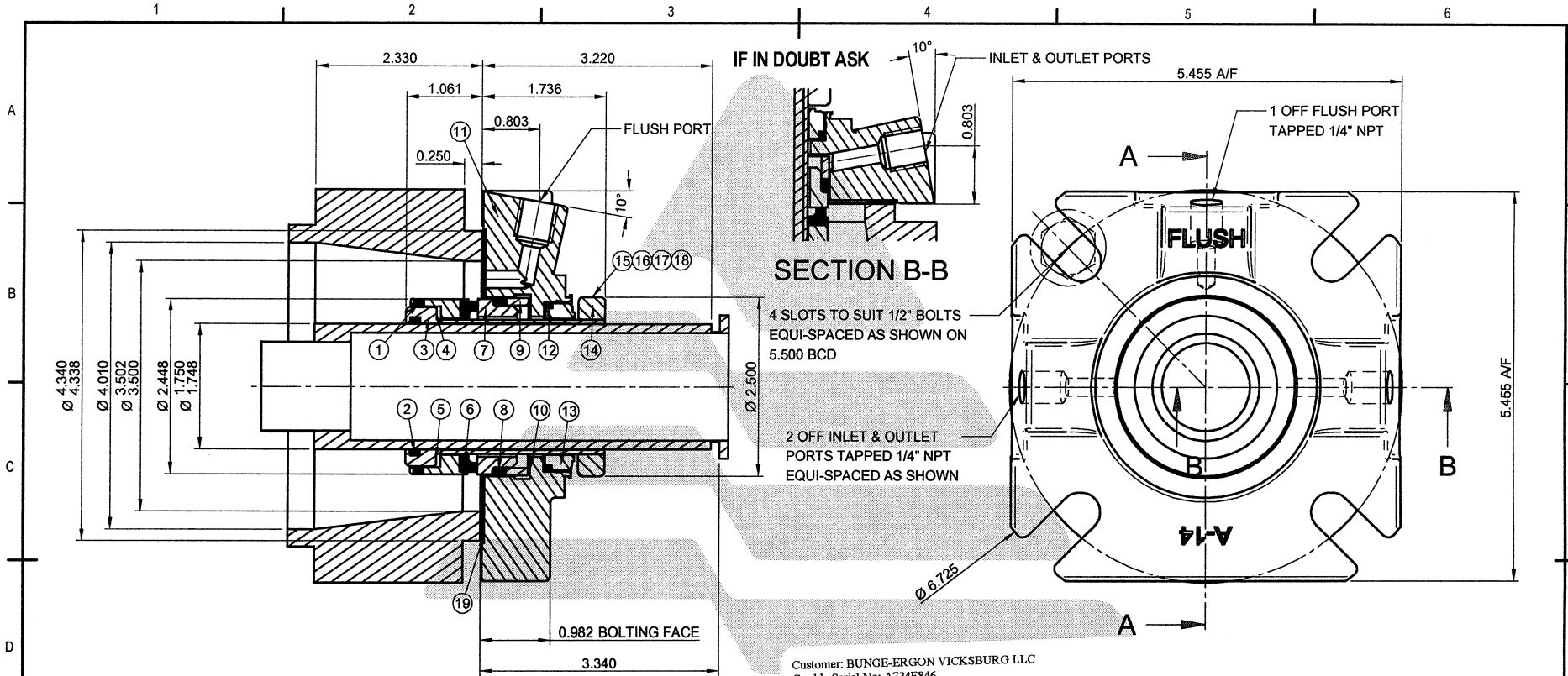
1/8" DIAMETER ORIFICE INTEGRAL WITH TUBE FITTING
316SS TUBING (A269) - 1/2" O.D.(.035) WALL WITH 316SS COMPRESSION FITTINGS

Customer: BUNGE-ERGON VICKSBURG LLC
Goulds Serial No: A734F846
Customer P.O. No: 4500145890
Item No: PC-7901
Service: Reclaim Water Collection Tank Pump
Owner: BUNGE-ERGON VICKSBURG, LLC
Project: BUNGE-ERGON
Job#: 61310

DRAWING NO A319611P **Rev. 0** Date: May 31, 2007

FORM# ED0395

SUPERSEDES ANY PREVIOUS DRAWINGS



Customer: BUNGE-ERGON VICKSBURG LLC
 Goulds Serial No: A734F846
 Customer P.O. No: 4500145890
 Item No: PC-7901
 Service: Reclaim Water Collection Tank Pump
 Owner: BUNGE-ERGON VICKSBURG, LLC
 Project: BUNGE-ERGON
 Job#: 61310

SECTION A-A

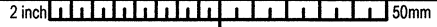
ITEM	DESCRIPTION	QTY	MATERIAL
1	ROTARY O RING	1	AFLAS
2	SLEEVE O RING	1	AFLAS
3	CARTRIDGE SLEEVE	1	316L STAINLESS STEEL
4	SPRINGS	10	HASTELLOY C
5	ROTARY DRIVE PINS	2	STAINLESS STEEL
6	ROTARY FACE	1	CARB
7	STATIONARY FACE	1	TC
8	STATIONARY O RING	1	AFLAS
9	UNIVERSAL PIVOT RING	1	316L STAINLESS STEEL
10	GLAND PINS	2	STAINLESS STEEL
11	GLAND	1	316 STAINLESS STEEL
12	R'BUSH O RING	1	AFLAS
13	RESTRICTION BUSH	1	CARBON
14	CLAMP RING	1	316L STAINLESS STEEL
15	DRIVE SCREWS	3	STAINLESS STEEL
16	CLIP SCREWS	3	STAINLESS STEEL
17	SETTING CLIPS	3	METAL
18	ANTI-TAMPER SCREWS	2	STAINLESS STEEL
19	GASKET	1	AF1

CUSTOMER	Bunge Ergon	CHEMICAL	WATER	DISCHARGE PRESSURE	34.8
CUSTOMER PO No	4500145890	TEMPERATURE	85 F	STUFFING BOX PRESSURE	
OEM	ITT GOULDS	SPEED	1770 RPM	VISCOSITY	1.000 cP
OEM PO No	457119	SUCTION PRESSURE		SPECIFIC GRAVITY	1.000
TAG No	734F841SL	ASSEMBLY REFERENCE	ABCT14A01-A	RE-ORDER REFERENCE	MKSTW-2-AES-88

EITHER THE ASSEMBLY REFERENCE OR THE RE-ORDER REFERENCE CAN BE USED FOR SEAL RE-ORDER

UNSPECIFIED TOLERANCES	PROJECTION	UNITS	SCALE	SIZE
LINEAR: +/-0.01" (0.25mm)	3RD ANGLE	INCHES UOS	1:1	A2
ANGULAR: +/- 30"				
SURFACE FINISH: 63 min (1.6 mm)				
CONCENTRICITY: 0.002" (0.05mm) T.I.R.				

AESSEAL plc <small>BROOKHURST BUSINESS PARK MILL CL OUSE, TEWKESBURY ROTTERHAM S80 1BZ</small>		TITLE 1.750 ANSI+ CURC SEAL ARRANGEMENT SUITS 3196 MT & MTX TAPER BORE GOULDS PUMP	
<small>THIS DRAWING IS CONFIDENTIAL TO AESSEAL plc AND NEITHER THE DRAWING ITSELF NOR ANY INFORMATION DERIVED FROM IT, SHOULD BE MADE PUBLIC, OR DIVULGED, EVEN IN CONFIDENCE TO ANOTHER PARTY WITHOUT THE EXPRESS PERMISSION OF AESSEAL plc © COPYRIGHT AESSEAL plc AS SIGNED AND DATED.</small>		MAT'L SEE PARTS LIST SRM- STOCK CODE DRG No 6469569 ISS. B	
DRAWN CHECK DATE 02/11/99 18-Apr-00 SIG Andy C Andrew Parkin		NOTE THE DRAWING NUMBER CANNOT BE USED TO RE-ORDER	



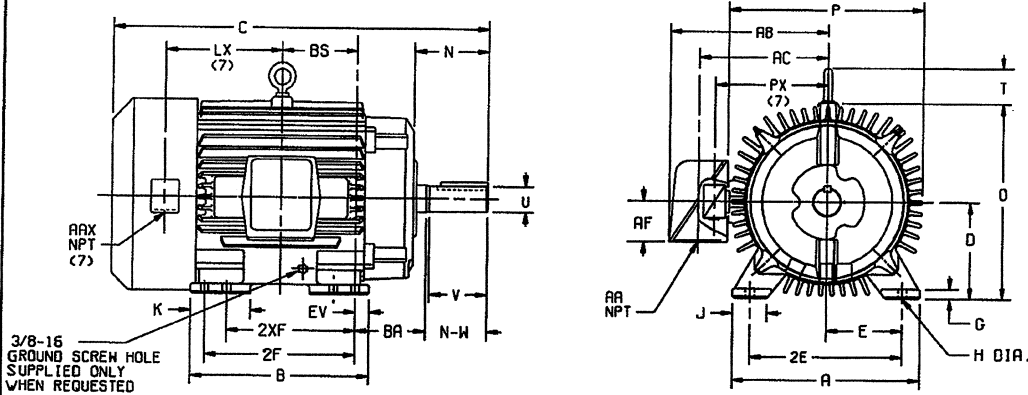
DUTY MASTER ALTERNATING CURRENT MOTORS

SQUIRREL-CAGE INDUCTION
CAST IRON CONSTRUCTION

ENCLOSURE: TOTALLY ENCLOSED
MOUNTING: FOOT

COOLING: FAN COOLED

FRAMES 250T THRU 440T



DIMENSIONS ARE IN INCHES; SEE SHEET 2 FOR DIMENSIONS IN MILLIMETERS

FRAME	A	D(2)	E	G	H	J	K	O	P	T	CAST IRON TERMINAL BOX (7) AUX. CONDUIT BOX								
											AA	AB	AC	AF	AA(7)	LX (7)	PX (7)	BA	EV
254T-256T	12.50	6.25	5.00	.75	.56	2.50	--	13.25	13.25	2.44	1-1/4	10.81	8.81	2.50	3/4	6.31	9.31	4.25	1.00
284T-286TS	13.75	7.00	5.50	.75	.56	2.50	--	14.75	14.88	2.44	1-1/2	12.62	10.19	3.00	3/4	6.88	10.50	4.75	1.00
324T-326TS	15.50	8.00	6.25	.88	.69	2.75	4.50	16.69	17.00	2.44	2	15.44	11.69	3.62	3/4	8.00	10.50	5.25	1.38
364T-365TS	17.00	9.00	7.00	.88	.69	2.75	3.88	18.50	19.50	2.94	3	18.00	13.81	4.12	3/4	8.38	11.62	5.88	1.38
404T-405TS	19.00	10.00	8.00	1.12	.81	3.25	4.62	21.31	22.50	2.94	3	19.25	15.06	4.12	3/4	9.62	14.44	6.62	1.13
444T-445TS	21.00	11.00	9.00	1.12	.81	3.25	5.25	23.38	25.25	3.25	3	22.19	17.44	6.00	3/4	11.12	15.25	7.50	1.25

FRAME SIZE	C	BS	B	2F	(4)	2XF	N	SHAFT AND KEY					WEIGHT LBS. (5)
								N-W(6)	UC(3)	V	SQ.	LGTH.	
254T	24.56	5.00	12.00	---	8.25	4.12	4.00	1.625	3.75	.375	2.88	335	
256T	24.56	5.00	12.00	---	4.12	4.00	1.625	3.75	.375	2.88	345		
284T	27.44	5.50	13.00	---	9.50	5.00	4.62	1.875	4.38	.500	3.25	475	
284TS	26.06	5.50	13.00	---	9.50	3.62	3.25	1.625	3.00	.375	1.88	475	
286T	27.44	5.50	13.00	11.00	---	5.00	4.62	1.875	4.38	.500	3.25	490	
286TS	26.06	5.50	13.00	11.00	---	3.62	3.25	1.625	3.00	.375	1.88	490	
324T	30.44	6.00	14.75	---	10.50	5.62	5.25	2.125	5.00	.500	3.88	590	
324TS	28.94	6.00	14.75	---	10.50	4.12	3.75	1.875	3.50	.500	2.00	590	
326T	30.44	6.00	14.75	12.00	---	5.62	5.25	2.125	5.00	.500	3.88	630	
326TS	28.94	6.00	14.75	12.00	---	4.12	3.75	1.875	3.50	.500	2.00	630	
364T	33.44	6.12	15.00	---	11.25	6.25	5.88	2.375	5.62	.625	4.25	865	
364TS	31.31	6.12	15.00	---	11.25	4.12	3.75	1.875	3.50	.500	2.00	859	
365T	33.44	6.12	15.00	12.25	---	6.25	5.88	2.375	5.62	.625	4.25	890	
365TS	31.31	6.12	15.00	12.25	---	4.12	3.75	1.875	3.50	.500	2.00	884	
404T	38.31	6.88	16.00	---	12.25	7.50	7.25	2.875	7.00	.750	5.62	1220	
404TS	35.31	6.88	16.00	---	12.25	4.50	4.25	2.125	4.00	.500	2.75	1211	
405T	38.31	6.88	16.00	13.75	---	7.50	7.25	2.875	7.00	.750	5.62	1260	
405TS	35.31	6.88	16.00	13.75	---	4.50	4.25	2.125	4.00	.500	2.75	1251	
444T	44.62	8.25	19.00	---	14.50	8.94	8.50	3.375	8.25	.875	6.88	1670	
444TS	40.88	8.25	19.00	---	14.50	5.19	4.75	2.375	4.50	.625	3.00	1654	
445T	44.62	8.25	19.00	16.50	---	8.94	8.50	3.375	8.25	.875	6.88	1860	
445TS	40.88	8.25	19.00	16.50	---	5.19	4.75	2.375	4.50	.625	3.00	1844	

- (1) SPECIAL DIMENSIONS APPLYING TO THIS ORDER ON THIS LINE.
- (2) "D" VARIES - 250T - 320T +.00, -.03.
360T - 440T +.00, -.06.
- (3) "U" VARIES - UP TO 1.625 DIA. +.0000, -.0005
1.625 AND LARGER +.000, -.001.
- (4) ALL FRAMES HAVE EIGHT MOUNTING HOLES FOR DUAL MOUNTING.
- (5) MOTOR WEIGHTS MAY VARY BY 15% DEPENDING UPON RATING.
- (6) "N-W" VARIES +.00, -.25.
- (7) AUXILIARY CONDUIT BOX SUPPLIED WHEN SPECIFIED CONDUIT BOXES LOCATED ON OPPOSITE SIDE WHEN F-2,W-1, W-4,W-5,W-7, OR C-1 MOUNTING IS SPECIFIED.
- IF MOUNTING CLEARANCE DETAILS ARE REQUIRED, CONSULT FACTORY.
- MAXIMUM PERMISSIBLE SHAFT RUNOUT WHEN MEASURED AT END OF STD. SHAFT EXTENSION IS .002 T.I.R. UP TO AND INCLUDING 1.625 DIA. AND .003 T.I.R. 1.625 DIA. TO 5 INCH DIA.

Customer: BUNGE-ERGON VICKSBURG LLC
Goulds Serial No: A734F846
Customer P.O. No: 4500145890
Item No: PC-7901
Service: Reclaim Water Collection Tank Pump
Owner: BUNGE-ERGON VICKSBURG, LLC
Project: BUNGE-ERGON
Job#: 61310

FRAME _____ TYPE _____ CERTIFIED FOR _____
ORDER _____ ITEM _____ HP _____ RPM _____ PH _____ HZ _____ VOLTS _____
RELIANCE SALES ORDER _____ APPROVED BY _____ DATE _____

RELIANCE ELECTRIC
CLEVELAND, OHIO 44117 U.S.A.

DR. BY R. BRYANT
CK. BY L. T. FOURNIER
APP. BY J. H. PONTZER
DATE 12-08-89

DIMENSION SHEET 611740-501
ISSUE DATE: JUNE 20, 1990
SHEET 1 OF 2

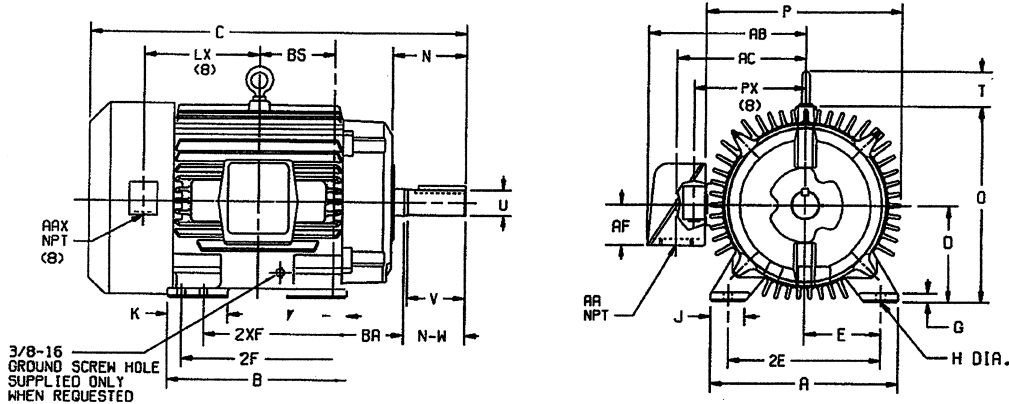
DUTY MASTER ALTERNATING CURRENT MOTORS

SQUIRREL-CAGE INDUCTION
CAST IRON CONSTRUCTION

ENCLOSURE: TOTALLY ENCLOSED
MOUNTING: FOOT

COOLING: FAN COOLED

FRAMES 250T THRU 440T



DIMENSIONS ARE IN MILLIMETERS; SEE SHEET 1 FOR DIMENSIONS IN INCHES

FRAME	A	D(2)	E	G	H	J	K	D	P	T	CAST IRON TERMINAL BOX			(8) AUX. CONDUIT BOX			DA	EV	
											AA(7)	AB	AC	AF	AA(7)	LX (8)			PX (8)
254T-256T	317.5	158.8	127.0	19.0	14.2	63.5	---	336.5	336.5	62.0	1-1/4	274.6	223.8	63.5	3/4	160.3	236.5	108.0	25.4
284T-286TS	349.2	177.8	139.7	19.0	14.2	63.5	---	374.6	378.0	62.0	1-1/2	320.5	258.8	76.2	3/4	174.8	266.7	120.7	25.4
324T-326TS	393.7	203.2	158.8	22.4	17.5	69.9	114.3	423.9	431.8	62.0	2	392.2	296.9	91.9	3/4	203.2	266.7	133.3	35.1
364T-365TS	431.8	228.6	177.8	22.4	17.5	69.9	98.6	469.9	495.3	74.7	3	457.2	350.8	104.6	3/4	212.9	295.1	149.4	35.1
404T-405TS	482.6	254.0	203.2	28.4	20.6	82.5	117.3	541.3	571.5	74.7	3	488.9	382.5	104.6	3/4	244.3	366.8	168.1	28.7
444T-445TS	533.4	279.4	228.6	28.4	20.6	82.5	133.3	593.9	641.3	82.5	3	563.6	443.0	152.4	3/4	282.4	387.3	190.5	31.7

FRAME SIZE	C	BS	B	2F	(4) 2XF	N	SHAFT AND KEY				WEIGHT KGS. (5)	
							N-W(6)	UK(3)	V	SD		LGTH
254T	623.8	127.0	304.8	---	209.6	104.6	101.6	41.27	95.3	9.52	73.2	151
256T	623.8	127.0	304.8	254.0	---	104.6	101.6	41.27	95.3	9.52	73.2	156
284T	697.0	139.7	330.2	---	241.3	127.0	117.3	47.63	111.3	12.70	82.5	215
284TS	661.9	139.7	330.2	---	241.3	91.9	82.5	41.27	76.2	9.52	47.8	215
286T	697.0	139.7	330.2	279.4	---	127.0	117.3	47.63	111.3	12.70	82.5	222
286TS	661.9	139.7	330.2	279.4	---	91.9	82.5	41.27	76.2	9.52	47.8	222
324T	773.2	152.4	374.6	---	266.7	142.7	133.3	53.97	127.0	12.70	98.6	267
324TS	735.1	152.4	374.6	---	266.7	104.6	95.3	47.63	88.9	12.70	50.8	267
326T	773.2	152.4	374.6	304.8	---	142.7	133.3	53.97	127.0	12.70	98.6	285
326TS	735.1	152.4	374.6	304.8	---	104.6	95.3	47.63	88.9	12.70	50.8	285
364T	849.4	155.4	381.0	---	285.7	158.8	149.4	60.33	142.7	15.88	108.0	392
364TS	795.3	155.4	381.0	---	285.7	104.6	95.3	47.63	88.9	12.70	50.8	389
365T	849.4	155.4	381.0	311.1	---	158.8	149.4	60.33	142.7	15.88	108.0	403
365TS	795.3	155.4	381.0	311.1	---	104.6	95.3	47.63	88.9	12.70	50.8	400
404T	973.1	174.8	406.4	---	311.1	190.5	184.1	73.02	177.8	19.05	142.7	553
404TS	896.9	174.8	406.4	---	311.1	114.3	108.0	53.97	101.6	12.70	69.9	549
405T	973.1	174.8	406.4	349.2	---	190.5	184.1	73.02	177.8	19.05	142.7	571
405TS	896.9	174.8	406.4	349.2	---	114.3	108.0	53.97	101.6	12.70	69.9	567
444T	1133.3	209.6	482.6	---	368.3	227.1	215.9	85.72	209.6	22.22	174.8	757
444TS	1038.4	209.6	482.6	---	368.3	131.8	120.7	60.33	114.3	15.88	76.2	750
445T	1133.3	209.6	482.6	419.1	---	227.1	215.9	85.72	209.6	22.22	174.8	843
445TS	1038.4	209.6	482.6	419.1	---	131.8	120.7	60.33	114.3	15.88	76.2	836

- (1) SPECIAL DIMENSIONS APPLYING TO THIS ORDER ON THIS LINE.
- (2) "D" VARIES - 250T - 320T +0, -.8.
- 360T - 440T +0, -1.5.
- (3) "U" VARIES - UP TO 41.27 DIA. +.000, -.013
- 41.27 AND LARGER +.00, -.03.
- (4) ALL FRAMES HAVE EIGHT MOUNTING HOLES FOR DUAL MOUNTING.
- (5) MOTOR WEIGHTS MAY VARY BY 15% DEPENDING UPON RATING.
- (6) "N-W" VARIES +0, -.64.
- (7) DIMENSIONS ARE IN INCHES.

- (8) AUXILIARY CONDUIT BOX SUPPLIED WHEN SPECIFIED. CONDUIT BOXES LOCATED ON OPPOSITE SIDE WHEN F-2,W-1, W-4,W-5,W-7, OR C-1 MOUNTING IS SPECIFIED.
- IF MOUNTING CLEARANCE DETAILS ARE REQUIRED, CONSULT FACTORY.
- MAXIMUM PERMISSIBLE SHAFT RUNOUT WHEN MEASURED AT END OF STD. SHAFT EXTENSION IS .05 T.I.R. UP TO AND INCLUDING 41.27 DIA. AND .08 T.I.R. 41.27 DIA. TO 127 MILL.DIA.

FRAME _____ TYPE _____ CERTIFIED FOR _____
 ORDER _____ ITEM _____ HP _____ RPM _____ PH _____ HZ _____ VOLTS _____
 RELIANCE SALES ORDER _____ APPROVED BY _____ DATE _____

RELIANCE ELECTRIC
CLEVELAND, OHIO 44117 U.S.A.

DR. BY R. BRYANT
CK. BY L. F. FOURNIER
APP. BY J. H. PONTZER
DATE 12-08-89

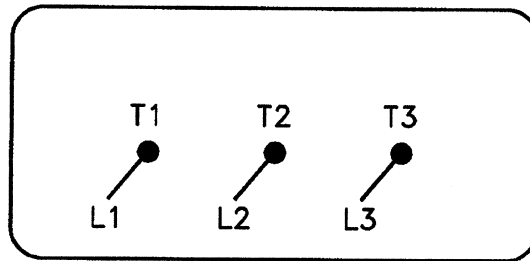
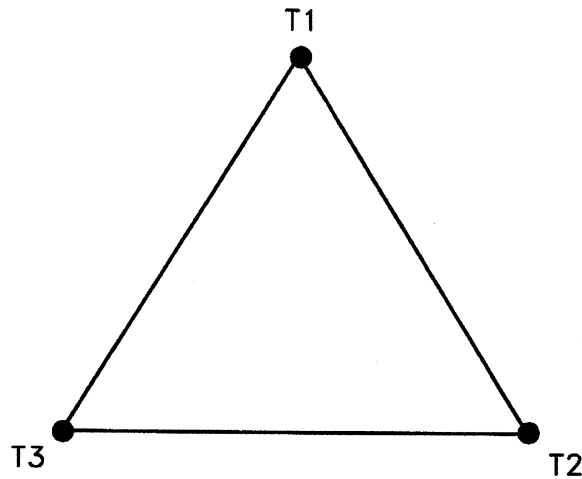
DIMENSION SHEET 611740-501
ISSUE DATE: JULY 11, 1990
SHEET 2 OF 2

Customer: BUNGE-ERGON VICKSBURG LLC
Goulds Serial No: A734F846
Customer P.O. No: 4500145890
Item No: PC-7901
Service: Reclaim Water Collection Tank Pump
Owner: BUNGE-ERGON VICKSBURG, LLC
Project: BUNGE-ERGON
Job#: 61310

A-C MOTOR CONNECTION DIAGRAM

STANDARD 3 LEAD

DELTA CONNECTED



(N.P. 1575-BA)

Customer: BUNGE-ERGON VICKSBURG LLC
 Goulds Serial No: A734F846
 Customer P.O. No: 4500145890
 Item No: PC-7901
 Service: Reclaim Water Collection Tank Pump
 Owner: BUNGE-ERGON VICKSBURG, LLC
 Project: BUNGE-ERGON
 Job#: 61310

CUSTOMER _____

CUSTOMER ORDER NO. _____

RELIANCE S.O. NO. _____

**RELIANCE
ELECTRIC**
CLEVELAND, OHIO 44117

DR. BY...NFJ.....
 CK. BY...GS.....
 APP. BY...HEJ.....
 DATE...10/8/76.....

CONNECTION
DIAGRAM

416820-25
ISSUE DATE APRIL 7, 1977

REL. S.O.	FRAME	HP	TYPE	PHASE/ HERTZ	RPM	VOLTS
	286TS	30	P	3/60	3540	460
AMPS	DUTY	AMB °C/ INSUL.	S.F.	NEMA DESIGN	CODE LETTER	ENCL.
33.9	CONT	40/F	1.15	B	G	FCXE
E/S	ROTOR	TEST S.O.	TEST DATE	STATOR RES. @ 25 °C OHMS (BETWEEN LINES)		
488539	418139-004-WE	---	---	.256		
PERFORMANCE						
LOAD	HP	AMPERES	RPM	% POWER FACTOR	% EFFICIENCY	
NO LOAD	0	8.7	3600	6.71	0	
1/4	7.51	11.5	3586	66.9	91.4	
2/4	15.0	17.3	3572	86.6	93.9	
3/4	22.5	24.8	3558	90.1	94.1	
4/4	30.0	33.9	3542	88.6	93.5	
5/4	37.5	44.4	3525	85.3	92.7	

Customer: BUNGE-ERAGON VICKSBURG LLC
 Goulds Serial No: A734F846
 Customer P.O. No: 4500145890
 Item No: PC-7901
 Service: Reclaim Water Collection Tank Pump
 Owner: BUNGE-ERAGON VICKSBURG, LLC
 Project: BUNGE-ERAGON
 Job#: 61310

SPEED TORQUE

	RPM	TORQUE % FULL LOAD	TORQUE LB.-FT.	AMPERES
LOCKED ROTOR	0	164	72.8	214
PULL UP	827	145	64.5	211
BREAKDOWN	3289	270	120	138
FULL LOAD	3542	100	44.5	33.9

AMPERES SHOWN FOR 460. VOLT CONNECTION. IF OTHER VOLTAGE CONNECTIONS ARE AVAILABLE, THE AMPERES WILL VARY INVERSELY WITH THE RATED VOLTAGE

REMARKS: XE MOTOR CALCULATED DATA
 NEMA NOM EFF 93.0 PCT. GUAR MIN EFF 92.4 PCT.

**Rockwell
Automation**

DR. BY C.R. THOMPSON
 CK. BY K.W. KANOUFF
 APP. BY K.W. KANOUFF
 DATE 09/23/97

**A-C MOTOR
PERFORMANCE W00406-B-E002
DATA** ISSUE DATE 09/23/97