

06018
CENTRAL ILLINOIS
ETHANOL PLANT
CANTON, ILLINOIS

CROSS REFERENCE FILE FORM

EQUIPMENT TAG NUMBER:	PC-3503
INFORMATION/DRAWINGS FILED WITH TAG NUMBER:	PC-2101



SUPPLIER DOCUMENTS INDEX

TO: LURGI PSI INC
 ATTN: JADWIGA MILLER
 1790 KIRBY PARKWAY
 MEMPHIS, TN 38138

CC: KELLY GREENE
 LISA COMPTON

SERIAL NO.: 7292931
 CUSTOMER: LURGI PSI INC / ORDER: 566188
 P.O. NO.: 6018-70750
 PUMP ITEM NO.: PC-3502
 SERVICE: PROCESS SCRUBBER PUMP
 END USER : CENTRAL ILLINOIS ENERGY, L.L.C.
 PROJECT# : 2003-01
 LOCATION : CANTON, ILLINOIS

SUPPLIER INFORMATION : GOUNDS PUMPS, INC.
 240 PALL STREET
 SENECA FALLS, NY, 13148

CONTRACT ADMINISTRATOR: Carl Sandjaco
 CONTRACT MANAGER: Dave Spivill
 DATE: 12/12/06
 MAILED VIA: REGULAR MAIL

SUPPLIER DOCUMENT TITLE	SUPPLIER DOC. # / REVISION NO.	REVIEW QTY.	FINAL QTY.	DATE APPROVED	SUB#	DUE DATE	SUBMIT DATE	RETURN DATE	RET. CODE
Pump Documents Required									
• Pump Outline			6P	0/00/00	01	12/18/06	12/12/06	0/00/00	
• Tapped Openings			6P	0/00/00	01	12/18/06	12/12/06	0/00/00	
• Pump CDS Curve			6P	0/00/00	01	12/18/06	12/12/06	0/00/00	
• Cross Sectional			6P	0/00/00	01	12/18/06	12/12/06	0/00/00	
3196 Pump Instruction Manuals			6P	0/00/00	01	12/06/06	12/06/06	0/00/00	
Seal Documents Required									
• Seal Drawing			6P	0/00/00	01	12/18/06	12/12/06	0/00/00	
Motor Documents Required									
• Motor Outline			6P	0/00/00	01	12/18/06	12/12/06	0/00/00	
• Motor Wiring Diagram			6P	0/00/00	01	12/18/06	12/12/06	0/00/00	
• Motor Electrical/Performance			6P	0/00/00	01	12/18/06	12/12/06	0/00/00	
Motor Instructions - (Reliance)			6P	0/00/00	01	12/06/06	12/06/06	0/00/00	
O.A. Documents Required									
• Comp. Hydrostatic Test Report			6P	0/00/00	01	12/18/06	12/12/06	0/00/00	

(*) Denotes Documents in this Submittal.

Your complete approval is required before order is scheduled and released to manufacturing. Please forward approval by / / .

** The above literature is for your information and records. It does not require your approval. Retain literature as your final distribution.

Note: Any Changes may affect Quoted Price and Shipping Details.

FIELD FILE

RECEIVED DEC 13 2006

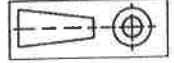
File: PC-3502

CIE: ETHANOL
Canton, Illinois

06018

*** End of Report ***

All dimensions are in inches.
Drawing is not to scale
Weights (lbs) are approximate



(*) Baseplate is sized to accommodate 213T/215T future motor size

MECH. SEAL JOHN CRANE - 5610Q - O(28)F(55)1O(28)O(58)H
BASEPLATE CAST IRON CAMBER TOP B0050A (*)
CPL GUARD BY PUMP MFG. CPLG GUARD MATL CARBON STEEL
COUPLING BY PUMP MFG. CPLG TYPE REXNORD OMEGA REX ELASTOMER-ES-2 (STANDA

Auxiliary specification

MOTOR BY PUMP MFG. MOUNT BY PUMP MFG. MFG. RELIANCE
FRAME 184T POWER 5.0 hp RPM 3600
PHASE 3 FREQUENCY 60 HZ VOLTS 230/460
INSULATION F S.F. 1.15
ENCLOSURE TEF-CXEX

Motor specification

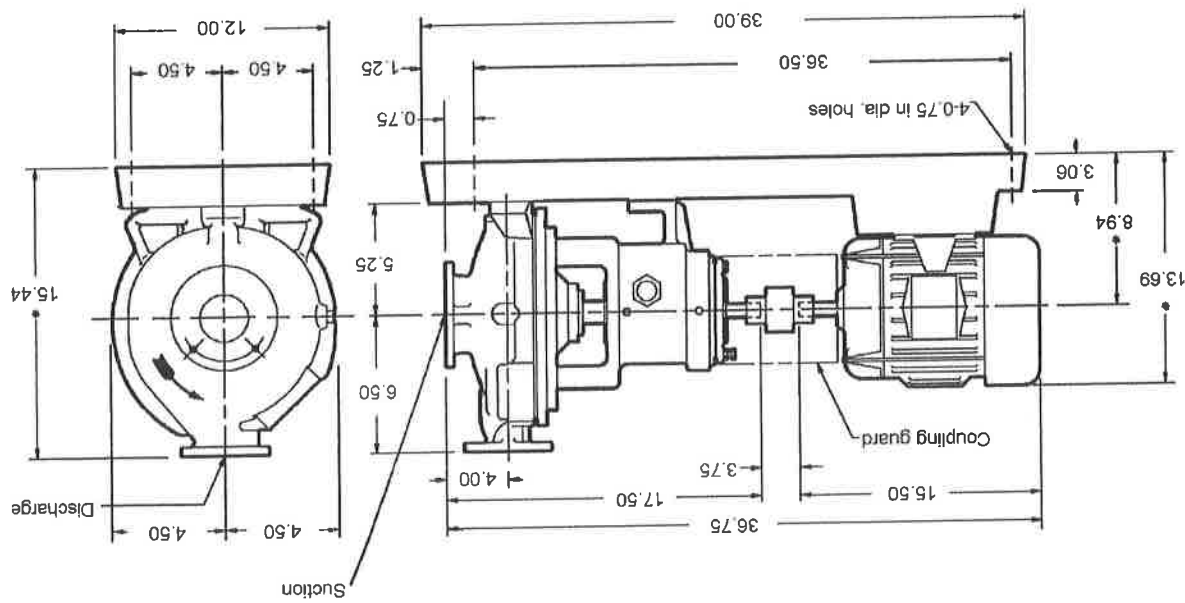
SUCT FLANGE SIZE 1.5" DRILLING ANSI 150# FACING FF FINISH SERRATED
DISCH FLANGE SIZE 1" DRILLING ANSI 150# FACING FF FINISH SERRATED
PUMP ROTATION (LOOKING AT PUMP FROM MOTOR) CW
TYPE OF LUBRICATION FLOOD OIL
TYPE OF STUFFING BOX TAPER BORE PLUS WITH VPE
TYPE OF SEALING MECHANICAL SEAL

Pump specification

Notes and References
 - MTR DIMENSIONS ARE APPROXIMATE
 - INSTALL FOUNDATION BOLTS IN PIPE SLEEVES
 - ALLOW FROM 0.75 to 1.50in. FOR GROUTING. SEE INSTRUCTION BOOK FOR DETAILS.
 - Tolerance is -0.50 +0
 FOR PUMP TAPPED OPENINGS REFER TO DWG. A729931T

PUMP 84.0 lb
MOTOR/CPLG 95.0/2.0 lb
BASEPLATE 80.0 lb
TOTAL 261.0 lb
GR.VOLUME W/BOX 9.3 ft ³
GR.WEIGHT W/BOX 308.0 lb

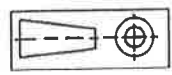
Weights and Measurements



Customer: LURGI PSI, INC.
 Gouids Serial No: 729F931
 Customer P.O. No: 6018-70750
 Item No: PC-3502
 Service: PROCESS SCRUBBER PUMP
 End User: CENTRAL ILLINOIS ENERGY L.L.C.
 Project No: 2003-01
 Location: CANTON, ILLINOIS
DRAWING NO A729931O Rev. 0 Date: December 12, 2006
 SUPERSEDES ANY PREVIOUS DRAWINGS

Joyce Sutterby
 DIMENSIONS ARE CERTIFIED FOR CONSTRUCTION BY:
 DATE December 12, 2006

All dimensions are in inches.
Drawing is not to scale.



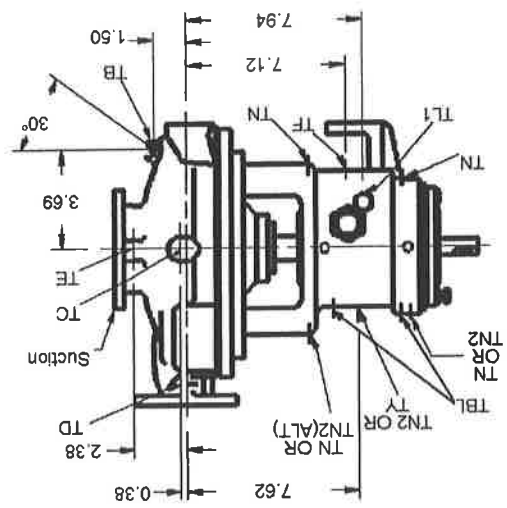
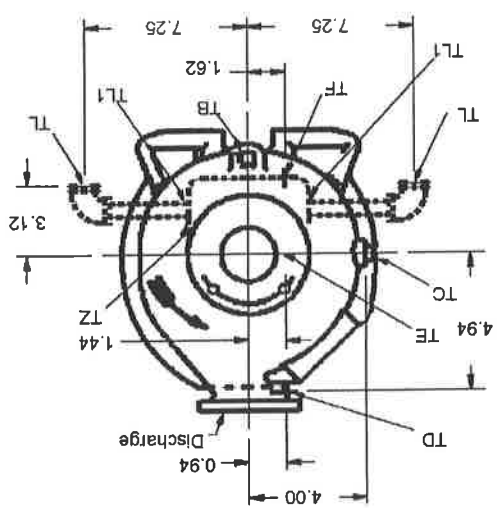
SUPERSEDES ANY PREVIOUS DRAWINGS

DRAWING NO A729931T **Rev. 0** Date: December 12, 2006

Customer: LURGI PSI, INC.
Goulds Serial No: 729F931
Customer P.O. No: 6018-70750
Item No: PC-3502
Service: PROCESS SCRUBBER PUMP
End User: CENTRAL ILLINOIS ENERGY L.L.C.
Project No: 2003-01
Location: CANTON, ILLINOIS

Joyce Sutterby DATE December 12, 2006

DIMENSIONS ARE CERTIFIED FOR CONSTRUCTION BY:



NO.	SIZE	QTY.	PURPOSE	YES/NO	NO.	SIZE	QTY.	PURPOSE	YES/NO
TB	1/2	1	CASING DRAIN	YES	TL1	--	2	FRAME COOLER ACCESS	YES
TC	1/4	1	BY-PASS CONNECTION	NO	TN	1/4	4	GREASE FITTING	YES
TD	1/4	1	DISCH. GAUGE CONNECTION	NO	TN2	1/4	2	OIL MIST INJECTION PORT	YES
TE	1/4	1	SUCTION GAUGE CONNECTION	NO	TY	1/2	1	OIL FILL	YES
TF	3/8	1	BEARING FRAME DRAIN	YES	TZ	1/4	1	BOTTLE OILER CONN.	YES
TL	1/2	2	FRAME COOLING CONNECTION	NO	TBL	1/4	2	VIB./TEMP. CONN.	YES

TAPPED OPENINGS MODEL 3196 STX 1X1.5-6 A.N.S.I. NO. AA

GOULDS PUMPS TAPPED OPENINGS Model 3196 STX Size 1x1.5-6



Goulds Pumps

CENTRIFUGAL PUMP CHARACTERISTICS

CDS 5004-2

RPM 3500

Model: 3196/HT3196

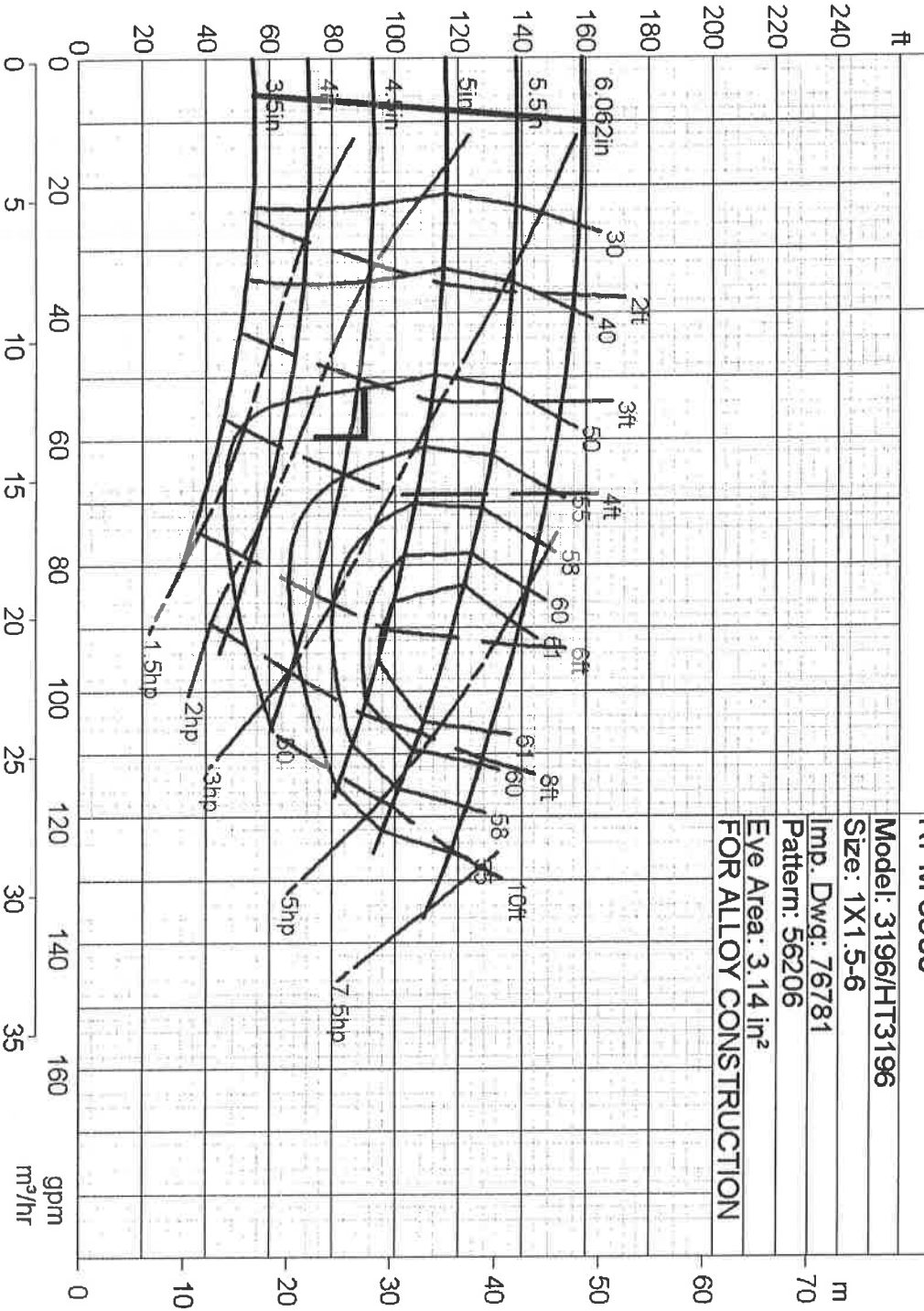
Size: 1X1.5-6

Imp. Dwg: 76781

Pattern: 56206

Eye Area: 3.14 in²

FOR ALLOY CONSTRUCTION



Rated Flow: 60.0 gpm
Rated TDH: 86.0 ft
Imp. Diam.: 4.6250 in
Certified By: Joyce Sutterby

Customer: URGENT, INC.
Goulds Serial No: 729F931
Customer P.O. No: 6018-70750
Item No: PC-3502
Service: PROCESS SCRUBBER PUMP
End User: CENTRAL ILLINOIS ENERGY LLC
Project No: 2003-01
Location: CANTON, ILLINOIS

