

06018
CENTRAL ILLINOIS
ETHANOL PLANT
CANTON, ILLINOIS

CROSS REFERENCE FILE FORM

EQUIPMENT TAG NUMBER:	PC-3601
INFORMATION/DRAWINGS FILED WITH TAG NUMBER:	PC-2101



SUPPLIER DOCUMENTS INDEX

TO: KORGSI PSI INC
 ATTN: JADWIGA MILLER
 1790 KIRBY PARKWAY
 MEMPHIS, TN 38138

CC: KELLY GIBRAN
 LISA COMPTON

SERIAL NO.: 729F492
 CUSTOMER: KORGSI PSI INC / ORDER: 566188
 P.O. NO.: 6018-70750
 PUMP ITEM NO.: PC-3601
 SERVICE: AA BRZYME MIX PUMP
 END USER : CENTRAL ILLINOIS ENERGY, L.I.C.
 PROJECT# : 2003-01
 LOCATION : CANTON, ILLINOIS

SUPPLIER INFORMATION : GOUINS PUMPS, INC.
 240 YALU STREET
 SENECA FALLS, NY, 13148

CONTRACT ADMINISTRATOR: Carl Sangiacomo
 CONTRACT MANAGER: Dave Sprybill
 DATE: 12/06/06
 MAILED VIA: REGULAR MAIL

FIELD FILE

SUPPLIER DOCUMENT TITLE	SUPPLIER DOC. # / REVISION NO.	REVIEW QTY.	FINAL QTY.	DATE APPROVED	SUB#	DIR DATE	SUBMIT DATE	RETURN DATE	REP. CODE
Pump Documents Required									
* Pump Outline			6P	0/00/00	01	12/06/06	12/06/06	0/00/00	
* Tapped Openings			6P	0/00/00	01	12/06/06	12/06/06	0/00/00	
* Pump CDS Curve			6P	0/00/00	01	12/06/06	12/06/06	0/00/00	
* Cross Sectional			6P	0/00/00	01	12/06/06	12/06/06	0/00/00	
* 3196 Pump Instruction Manuals			6P	0/00/00	01	12/06/06	12/06/06	0/00/00	
* Plan 53 With Standard Rubing			6P	0/00/00	01	12/06/06	12/06/06	0/00/00	
Seal Documents Required									
* Seal Drawing			6P	0/00/00	01	12/06/06	12/06/06	0/00/00	
Motor Documents Required									
* Motor Outline			6P	0/00/00	01	12/06/06	12/06/06	0/00/00	
* Motor Wiring Diagram			6P	0/00/00	01	12/06/06	12/06/06	0/00/00	
* Motor Electrical/Performance			6P	0/00/00	01	12/06/06	12/06/06	0/00/00	
* Motor Instructions-(Reliance)			6P	0/00/00	01	12/06/06	12/06/06	0/00/00	
Q.A. Documents Required									
* Comp. Hydrostatic Test Report			6P	0/00/00	01	12/06/06	12/06/06	0/00/00	
Tank Beta Required									
Tank Drawing			6P	0/00/00	01	12/06/06	0/00/00	0/00/00	

(*) Denotes Documents in this Submittal.

Your complete Approval is required before order is scheduled and released to manufacturing. Please forward Approval by / / .

The above literature is for your information and records. It does not require your approval. Retain literature as your final distribution.

Note: Any Changes may affect Quoted Price and Shipping Details.

08018 *** End of Report ***

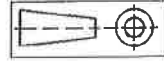
CIE: ETHANOL
Canton, Illinois

RECEIVED DEC 19 2006

File: PC-3601

0180013027

All dimensions are in inches.
Drawing is not to scale
Weights (lbs) are approximate



Andrew Young
DIMENSIONS ARE CERTIFIED FOR CONSTRUCTION BY:
DATE: December 6, 2006

Customer: LURGI PSI INC
Goulds Serial No: 729F492
Customer P.O. No: 6018-70750
Item No: PC-3801
Service: AA ENZYME MIX PUMP
End User: CENTRAL ILLINOIS ENERGY, L.L.C.
Project#: 2003-01
Location: CANTON, ILLINOIS

DRAWING NO A7294920 Rev. 0
Date: December 6, 2006
SUPERSEDES ANY PREVIOUS DRAWINGS

(*) Baseplate is sized to accommodate 213T/215T future motor size

Auxiliary specification

COUPLING BY	PUMP MFG	CPLG TYPE	REXNORD OMEGA REX ELASTOMER-ES-3 (STANDA
CPL GUARD BY	PUMP MFG	CPLG GUARD MATL	CARBON STEEL
BASEPLATE	CAST IRON CAMBER TOP	B00049A (*)	
MECH. SEAL	JOHN CRANE - 5620PR - X(18)O(58)X(18)O(58)H / X(F(55)IXO(58)H		

Motor specification

MOTOR BY	PUMP MFG	MOUNT BY	PUMP MFG	MFG.	RELIANCE
FRAME	213T	POWER	7.5 hp	RPM	1800
PHASE	3	FREQUENCY	60 HZ	VOLTS	230/460
INSULATION	F	S.F.	1.15		
ENCLOSURE	TFC-XEX				

Notes and References

- MTR DIMENSIONS ARE APPROXIMATE
- INSTALL FOUNDATION BOLTS IN PIPE SLEEVES
- ALLOW FROM 0.75 to 1.50in. FOR GROUTING. SEE INSTRUCTION BOOK FOR DETAILS.
- DISCHARGE FLANGE HAS 4-1/2-13 UNC TAPPED HOLES
- *Tolerance is +0 -0.5

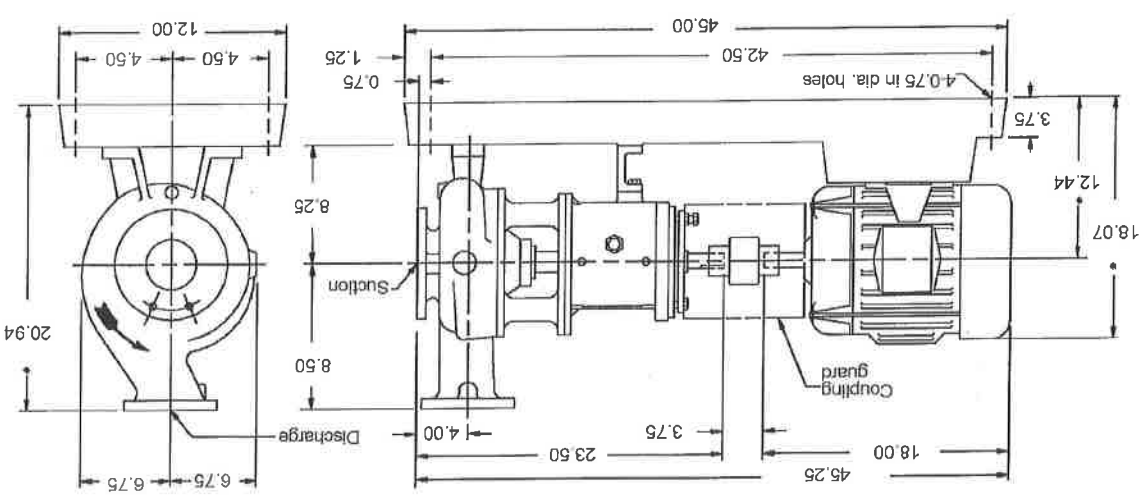
FOR PUMP TAPPED OPENINGS REFER TO DWG. A729492T

Pump specification

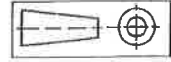
SUCT. FLANGE SIZE 2"	DRILLING ANSI 150#	FACING FF	FINISH SERRATED
DISCH. FLANGE SIZE 1"	DRILLING ANSI 150#	FACING FF	FINISH SERRATED
PUMP ROTATION (LOOKING AT PUMP FROM MOTOR)	CW		
TYPE OF LUBRICATION	FLOOD OIL		
TYPE OF STUFFING BOX	TAPER BORE PLUS WITH VPE		
TYPE OF SEALING	MECHANICAL SEAL		

Weights and Measurements

PUMP	220.0 LB
MOTOR/CPLG	140.0 / 4.4 LB
BASEPLATE	105.0 LB
TOTAL	469.4 LB
GR. VOLUME W/BOX	14.5 FC ³
GR. WEIGHT W/BOX	542.4 LB



All dimensions are in inches.
Drawing is not to scale.



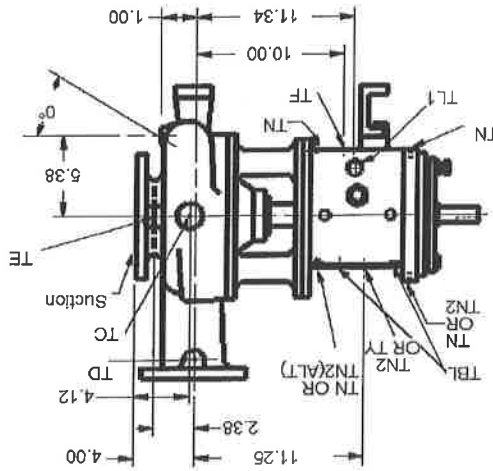
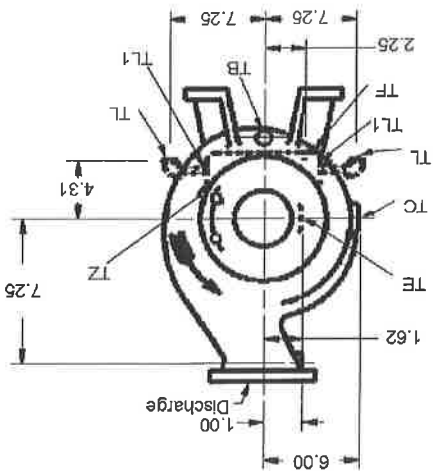
SUPERSEDES ANY PREVIOUS DRAWINGS

DRAWING NO A729492T **Rev. 0** Date: December 6, 2006

Customer: LURGI PSI INC
Goulds Serial No: 729F492
Customer P.O. No: 6018-70750
Item No: PC-3601
Service: AA ENZYME MIX PUMP
End User: CENTRAL ILLINOIS ENERGY, L.L.C.
Project#: 2003-01
Location: CANTON, ILLINOIS

Andrew Young
DATE December 6, 2006

DIMENSIONS ARE CERTIFIED FOR CONSTRUCTION BY:



NO.	SIZE	QTY.	PURPOSE	YES/NO	NO.	SIZE	QTY.	PURPOSE	YES/NO
TB	1/2	1	CASING DRAIN	YES	TL1	--	2	FRAME COOLER ACCESS	YES
TC	1/2	1	BY-PASS CONNECTION	NO	TN	1/4	4	GREASE FITTING	YES
TD	3/8	1	DISCH. GAUGE CONNECTION	NO	TN2	1/4	2	OIL MIST INJECTION PORT	YES
TE	3/8	1	SUCTION GAUGE CONNECTION	NO	TY	1/2	1	OIL FILL	YES
TF	3/8	1	BEARING FRAME DRAIN	YES	TZ	1/4	1	BOTTLE OILER CONN.	YES
TL	1/2	2	FRAME COOLING CONNECTION	NO	TBL	1/4	2	VIB./TEMP. CONN.	YES

TAPPED OPENINGS MODEL 3196 MTX 1x2-10 A.N.S.I. NO. A05

Goulds Pumps TAPPED OPENINGS Model 3196 MTX Size 1x2-10





CENTRIFUGAL PUMP CHARACTERISTICS

CDS 5017-2

RPM 1750

Model: 3196/HT3196

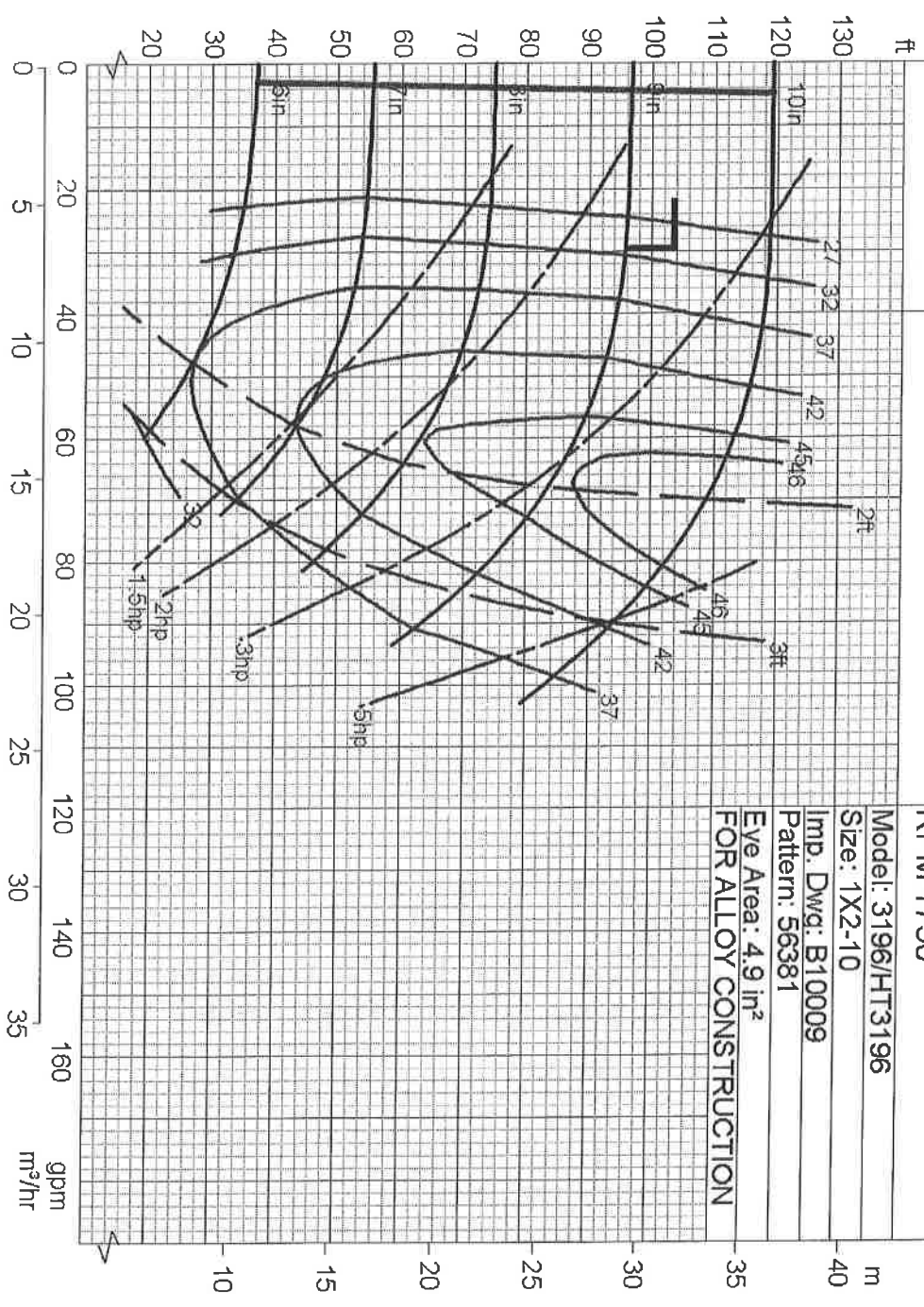
Size: 1X2-10

Imp. Dwg: B10009

Pattern: 56381

Eye Area: 4.9 in²

FOR ALLOY CONSTRUCTION



Rated Flow: 30.0 gpm
 Rated TDH: 104.0 ft
 Imp. Diam.: 9.3750 in
 Certified By: Andrew Young

Customer: LURGE PSI INC
 Goulds Serial No: 7297492
 Customer P.O. No: 6018-70750
 Item No: PC-3601
 Service: AA ENZYME MIX PUMP
 End User: CENTRAL ILLINOIS ENERGY, L.L.C.
 Project#: 2003-01
 Location: CANTON, ILLINOIS

