

06018
CENTRAL ILLINOIS
ETHANOL PLANT
CANTON, ILLINOIS

CROSS REFERENCE FILE FORM

EQUIPMENT TAG NUMBER:	PC-4002
INFORMATION/DRAWINGS FILED WITH TAG NUMBER:	PC-2101



SUPPLIER DOCUMENTS INDEX

TO: IURGI PSI INC
 ATTN: JADWIGA MILLER
 1790 KIRBY PARKWAY
 MEMPHIS, TN 38138

SERIAL NO.: 729P508
 CUSTOMER: IURGI PSI INC
 P.O. NO.: 6018-70901 / ORDER: 566323
 PUMP ITEM NO.: PC-4002
 SERVICE: EVAP CONDENSER BLOWDOWN PUMP
 END USER : CENTRAL ILLINOIS ENERGY, L.L.C.
 PROJECT # : 2003-01
 LOCATION : CANTON, ILLINOIS

SUPPLIER INFORMATION : COULDS PUMPS, INC.
 240 FALL STREET
 SHERBO FALLS, NY, 13148
 CONTRACT ADMINISTRATOR: Carl Saugiacomo
 CONTRACT MANAGER: Dave Sprulll
 DATE: 12/06/06
 MAILED VIA: ups ground

SUPPLIER DOCUMENT TITLE	SUPPLIER DOC. # / REVISION NO.	REVIEW QTY.	FINAL QTY.	DATE APPROVED	SUB#	DUE DATE	SUBMIT DATE	RETURN DATE	REF. CODE
Pump Documents Required									
* Pump Outline			6P	0/00/00	01	12/06/06	12/06/06	0/00/00	
* Tapped Openings			6P	0/00/00	01	12/06/06	12/06/06	0/00/00	
* Pump CDS Curve			6P	0/00/00	01	12/06/06	12/06/06	0/00/00	
* Cross Sectional			6P	0/00/00	01	12/06/06	12/06/06	0/00/00	
* 3196 Pump Instruction Manuals			6P	0/00/00	01	12/06/06	12/06/06	0/00/00	
Seal Documents Required									
* Seal Drawing			6P	0/00/00	01	12/06/06	12/06/06	0/00/00	
Motor Documents Required									
* Motor Outline			6P	0/00/00	01	12/06/06	12/06/06	0/00/00	
* Motor Wiring Diagram			6P	0/00/00	01	12/06/06	12/06/06	0/00/00	
* Motor Electrical/Performance			6P	0/00/00	01	12/06/06	12/06/06	0/00/00	
* Motor Instructions-(Reliance)			6P	0/00/00	01	12/06/06	12/06/06	0/00/00	
Q.A. Documents Required									
* Comp. Hydrostatic Test Report			6P	0/00/00	01	12/06/06	12/06/06	0/00/00	

(*) Denotes Documents in this Submittal.

Your complete Approval is required before order is scheduled and released to manufacturing. Please forward Approval by / / .

** The above literature is for your information and records. It does not requires your approval. Retain literature as your final distribution.

Note: Any Changes may affect Quoted Price and Shipping Details.

RECEIVED BY
 CIE: ETHANOL
 06018
 3 2006

17.1 PC-4002
 Fmc
 01800/3044

FIELD FILE

*** End of Report ***

All dimensions are in inches.
Drawing is not to scale
Weights (lbs) are approximate



SUPERSEDES ANY PREVIOUS DRAWINGS

DRAWING NO A7295080 Rev. 0 Date: December 6, 2006

Customer: LURGI PSI, INC.
Goulds Serial No: 729F508
Customer P.O. No: 6018-70901
Item No: PC-4002
Service: EVAP CONDENSER BLOWDOWN PUMP
End User: CENTRAL ILLINOIS ENERGY L.L.C.
Project No: 2003-01
Location: CANTON, ILLINOIS

Joyce Sutterby DATE December 6, 2006

DIMENSIONS ARE CERTIFIED FOR CONSTRUCTION BY:

(*) Baseplate is sized to accommodate 182T/184T future motor size

Auxiliary specification

MECH SEAL JOHN CRANE - 5610Q - O(28)F(55)1O(28)O(58)H
BASEPLATE CAST IRON CAMBER TOP B00050A (*)
CPL GUARD BY PUMP MFG. CPLG GUARD MATL CARBON STEEL
COUPLING BY PUMP MFG. CPLG TYPE REXNORD OMEGA REX ELASTOMER-ES-2 (STANDA

Motor specification

MOTOR BY PUMP MFG. MOUNT BY PUMP MFG. MFG. RELIANCE
FRAME 182T POWER 3.0 hp RPM 1800
PHASE 3 FREQUENCY 60 HZ VOLTS 230/460
INSULATION F S.F. 1.15
ENCLOSURE FCBP-XEXCLASS 1 DIV 1 & 2 CLASS 1 GRP D CLASS 2 GRP F&G

Notes and References

- MTR DIMENSIONS ARE APPROXIMATE
- INSTALL FOUNDATION BOLTS IN PIPE SLEEVES
- ALLOW FROM 0.75 to 1.50in. FOR GROUTING. SEE INSTRUCTION BOOK FOR DETAILS.
- Tolerance is -0.50 +0
- DISCHARGE FLANGE HAS 4-1/2-13 UNC TAPPED HOLES

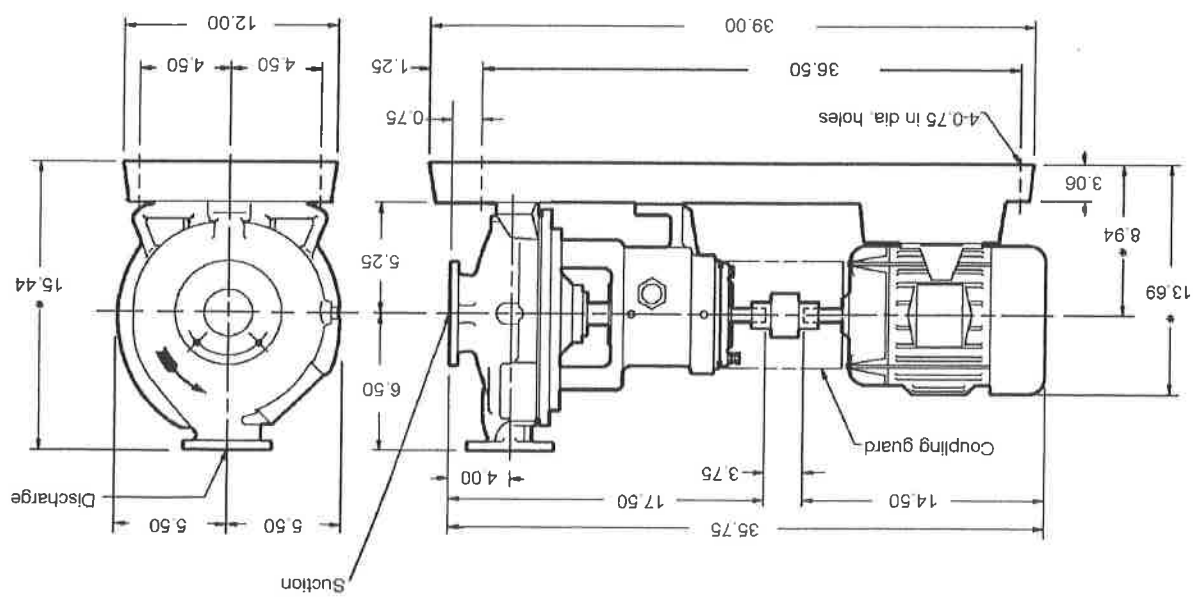
FOR PUMP TAPPED OPENINGS REFER TO DWG. A729508T

Pump specification

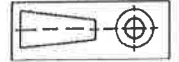
SUCT. FLANGE SIZE 1.5" DRILLING ANSI 150# FACING FF FINISH SERRATED
DISCH. FLANGE SIZE 1" DRILLING ANSI 150# FACING FF FINISH SERRATED
PUMP ROTATION (LOOKING AT PUMP FROM MOTOR) CW
TYPE OF LUBRICATION FLOOD OIL
TYPE OF STUFFING BOX TAPER BORE PLUS WITH VPE
TYPE OF SEALING MECHANICAL SEAL

Weights and Measurements

PUMP	100.0 lb
MOTOR/CPLG	79.0/2.0 lb
BASEPLATE	80.0 lb
TOTAL	261.0 lb
GR.VOLUME w/BOX	9.3 ft ³
GR.WEIGHT w/BOX	308.0 lb



All dimensions are in inches.
Drawing is not to scale.

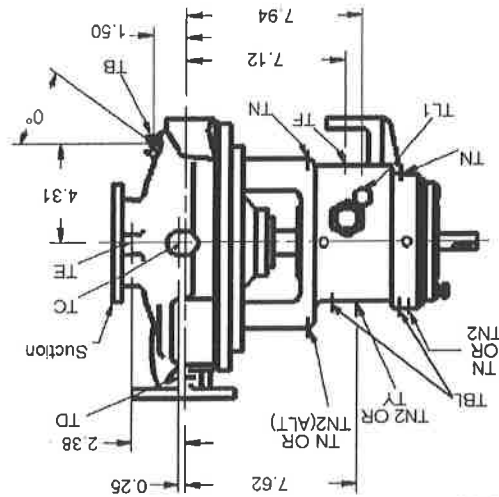
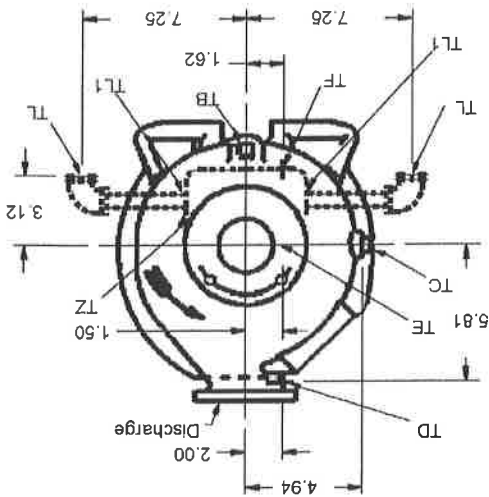


SUPERSEDES ANY PREVIOUS DRAWINGS

DRAWING NO A729508T **Rev. 0** Date: December 6, 2006

Customer: LURGI PSI, INC.
Goulds Serial No: 729F508
Customer P.O. No: 6018-70901
Item No: PC-4002
Service: EVAP CONDENSER BLOWDOWN PUMP
End User: CENTRAL ILLINOIS ENERGY L.L.C.
Project No: 2003-01
Location: CANTON, ILLINOIS

Joyce Sutterby
DATE December 6, 2006
DIMENSIONS ARE CERTIFIED FOR CONSTRUCTION BY:



NO.	SIZE	QTY.	PURPOSE	YES/NO	NO.	SIZE	QTY.	PURPOSE	YES/NO
TL	1/2	2	FRAME COOLING CONNECTION	NO	TBL	1/4	2	VIB./TEMP. CONN.	YES
TF	3/8	1	BEARING FRAME DRAIN	YES	TZ	1/4	1	BOTTLE OILER CONN.	YES
TE	1/4	1	SUCTION GAUGE CONNECTION	NO	TY	1/2	1	OIL FILL	YES
TD	1/4	1	DISCH. GAUGE CONNECTION	NO	TN2	1/4	2	OIL MIST INJECTION PORT	YES
TC	1/4	1	BY-PASS CONNECTION	NO	TN	1/4	4	GREASE FITTING	YES
TB	1/2	1	CASING DRAIN	YES	TL1	---	2	FRAME COOLER ACCESS	YES
					FURNISHED				
					FURNISHED				

TAPPED OPENINGS MODEL 3196 STX 1X1.5-8 A.N.S.I. NO. AA



GOLDS PUMPS

CENTRIFUGAL PUMP CHARACTERISTICS

CDS 5009-2

RPM 1750

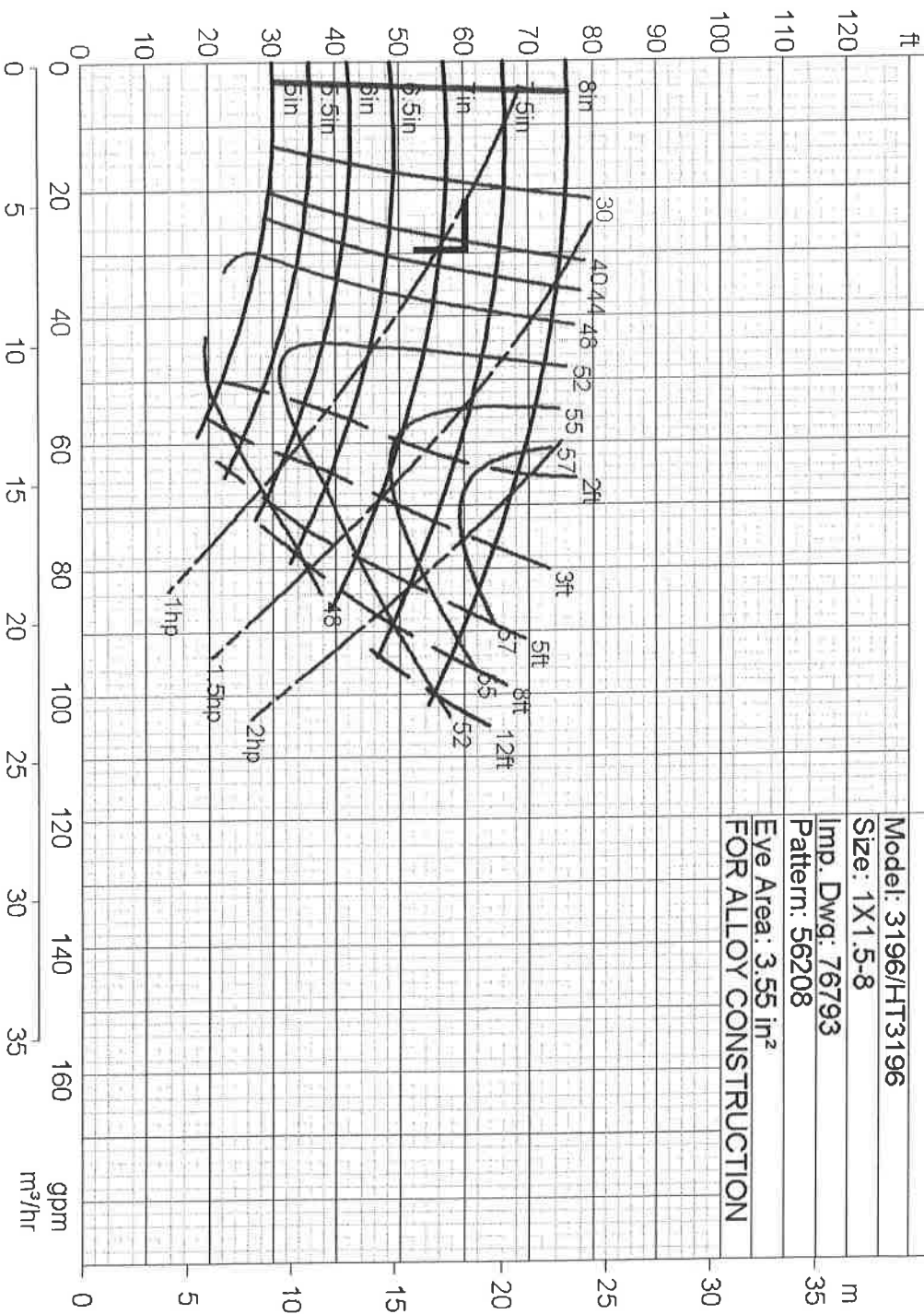
Model: 3196/HT3196

Size: 1X1.5-8

Imp. Dwg: 76793

Pattern: 56208

**Eve Area: 3.55 in²
FOR ALLOY CONSTRUCTION**



Rated Flow: 30.0 gpm
 Rated TDH: 60.0 ft
 Imp. Diam.: 7.2500 in
 Certified By: Andrew Young

Customer: LURGI PSI, INC
 Goulds Serial No: 7297308
 Customer P.O. No: 60185-10091
 Item No: FC-4402
 Service: EVAP CONDENSER BLOWDOWN PUMP
 End User: CENTRAL ILLINOIS ENERGY LLC
 Project No: 2003-40
 Location: CANTON, ILLINOIS

