

06018
CENTRAL ILLINOIS
ETHANOL PLANT
CANTON, ILLINOIS

CROSS REFERENCE FILE FORM

EQUIPMENT TAG NUMBER:	PC-4110
INFORMATION/DRAWINGS FILED WITH TAG NUMBER:	PC-2101



SUPPLIER DOCUMENTS INDEX

FIELD FILE

TO: LURGI PSI INC
 ATTN: JADWIGA MILLER
 1790 KIRBY PARKWAY
 MEMPHIS, TN 38138

CC: KELLY GURENE
 LISA COMPTON

SERIAL NO.: 729F514
 CUSTOMER: LURGI PSI INC
 P.O. NO.: 6018-70901 / ORDER: 566323

PUMP ITEM NO.: PC-4110
 SERVICE: FLASHED RC BOTTOMS PUMP
 END USER : CENTRAL ILLINOIS ENERGY, L.L.C.
 PROJECT # : 2003-01
 LOCATION : CANTON, ILLINOIS

SUPPLIER INFORMATION: GOLD'S PUMPS, INC.
 240 FALL STREET
 SHERBORN FALLS, NY 13148

CONTRACT ADMINISTRATOR: Carl Sangiacomo
 CONTRACT MANAGER: Dave Spunill
 DATE: 12/06/06
 MAILED VIA: ups ground

SUPPLIER DOCUMENT TITLE	SUPPLIER DOC.# / REVISION NO.	REVIEW QTY.	FINAL QTY.	DATE APPROVED	SUB#	DATE	SUBMIT DATE	RETURN DATE	RET. CODE
Pump Documents Required									
* Pump Outline			6P	0/00/00	01	12/06/06	12/06/06	0/00/00	
* Trapped Openings			6P	0/00/00	01	12/06/06	12/06/06	0/00/00	
* Pump CMS Curve			6P	0/00/00	01	12/06/06	12/06/06	0/00/00	
* Cross Sectional			6P	0/00/00	01	12/06/06	12/06/06	0/00/00	
* 3196 Pump Instruction Manuals			6P	0/00/00	01	12/06/06	12/06/06	0/00/00	
* Plan 11 With Finned Tubing			6P	0/00/00	01	12/06/06	12/06/06	0/00/00	
Seal Documents Required									
* Seal Drawing			6P	0/00/00	01	12/06/06	12/06/06	0/00/00	
Motor Documents Required									
* Motor Outline			6P	0/00/00	01	12/06/06	12/06/06	0/00/00	
* Motor Wiring Diagram			6P	0/00/00	01	12/06/06	12/06/06	0/00/00	
* Motor Electrical/Performance			6P	0/00/00	01	12/06/06	12/06/06	0/00/00	
* Motor Instructions-(Reliance)			6P	0/00/00	01	12/06/06	12/06/06	0/00/00	
Q.A. Documents Required									
* Comp. Hydrostatic Test Report			6P	0/00/00	01	12/06/06	12/06/06	0/00/00	

(*) Denotes Documents in this Submittal.

Your complete Approval is required before order is scheduled and released to manufacturing. Please forward Approval by / / .

The above literature is for your information and records. It does not require your approval. Retain literature as your final distribution.

Note: Any Changes may affect Quoted Price and Shipping Details.

RECEIVED BY DEPT. ILLINOIS 2006

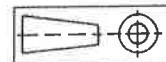
08018
CIE: ETHANOL

171 PC-4110
File:

0180013052

*** End of Report ***

All dimensions are in inches.
Drawing is not to scale.
Weights (lbs) are approximate



SUPERSEDES ANY PREVIOUS DRAWINGS

DRAWING NO A7295140 Rev. 0 Date: December 6, 2006

Customer: LURGI PSI, INC.
Goulds Serial No: 729F514
Customer P.O. No: 6018-70901
Item No: PC-4110
Service: FLASHED RC BOTTOMS PUMP
End User: CENTRAL ILLINOIS ENERGY L.L.C.
Project No: 2003-01
Location: CANTON, ILLINOIS

DATE December 6, 2006
Joyce Sutterby
DIMENSIONS ARE CERTIFIED FOR CONSTRUCTION BY:

(*) Baseplate is sized to accommodate 254T/256T future motor size

MECH. SEAL JOHN CRANE - 56100 - O(28)F(55)10(28)O(58)H
BASEPLATE CAST IRON CAMBER TOP E00025A (*)
CPL GUARD BY PUMP MFG. CPLG GUARD MATL CARBON STEEL
COUPLING BY PUMP MFG. CPLG TYPE REXNORD OMEGA REX ELASTOMER-ES-4 (STANDA

Auxiliary specification

MOTOR BY PUMP MFG. MOUNT BY PUMP MFG. MFG. RELIANCE
FRAME 254T POWER 15.0 hp RPM 3600
PHASE 3 FREQUENCY 60 HZ VOLTS 460
INSULATION F S.F. 1.15
ENCLOSURE FCXP-XEXCLASS 1 GRP D (CLASS 2 GRPS F&G) T3C

Motor specification

SUCT. FLANGE SIZE 1.5" DRILLING ANSI 150# FACING FF FINISH SERATED
DISCH. FLANGE SIZE 1" DRILLING ANSI 150# FACING FF FINISH SERATED
PUMP ROTATION (LOOKING AT PUMP FROM MOTOR) CW
TYPE OF LUBRICATION FLOOD OIL
TYPE OF STUFFING BOX BIG BORE
TYPE OF SEALING MECHANICAL SEAL

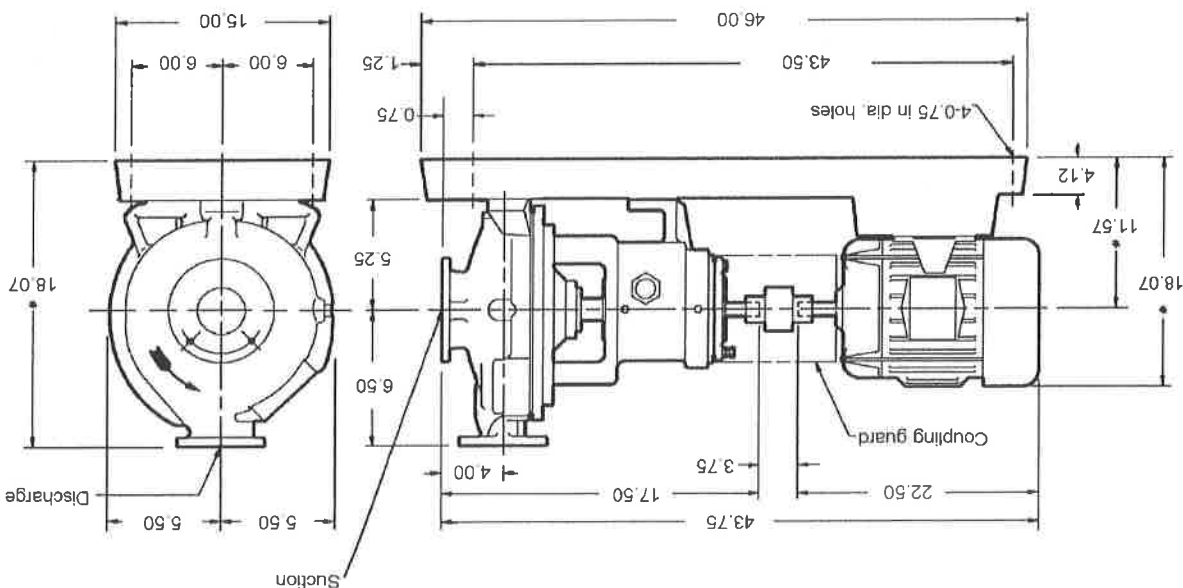
Pump specification

MTR DIMENSIONS ARE APPROXIMATE
- INSTALL FOUNDATION BOLTS IN PIPE SLEEVES
- ALLOW FROM 0.75 to 1.50in. FOR
ROUTING. SEE INSTRUCTION BOOK FOR DETAILS
*Tolerance is -0.50 +0
- DISCHARGE FLANGE HAS 4-1/2-13 UNC TAPPED HOLES

Notes and References

PUMP 100.0 LB
MOTOR/CPLG 235.0/5.5 LB
BASEPLATE 120.0 LB
TOTAL 460.5 LB
GR.VOLUME W/BOX 14.3 FT ³
GR.WEIGHT W/BOX 532.5 LB

Weights and Measurements

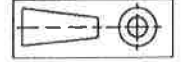


All dimensions are in inches.
Drawing is not to scale

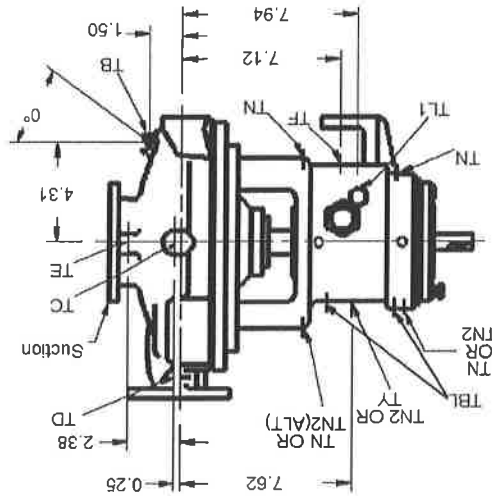
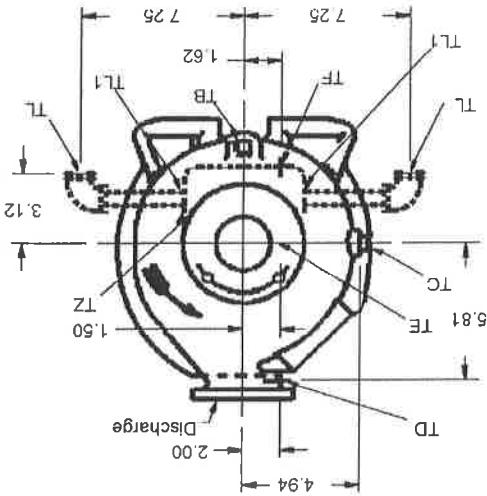
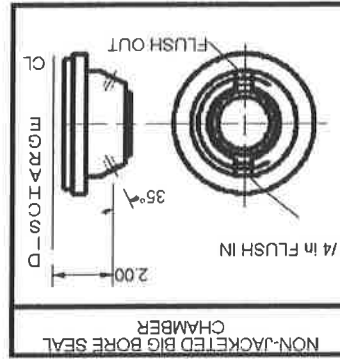
DRAWING NO A729514T **Rev. 0** Date: December 6, 2006

SUPSEDES ANY PREVIOUS DRAWINGS

Customer: LURGI PSI, INC.
Goulds Serial No: 729F514
Customer P.O. No: 6018-70901
Item No: PC-4110
Service: FLASHED RC BOTTOMS PUMP
End User: CENTRAL ILLINOIS ENERGY L.L.C.
Project No: 2003-01
Location: CANTON, ILLINOIS



Joyce Sutterby
DIMENSIONS ARE CERTIFIED FOR CONSTRUCTION BY:
DATE December 6, 2006



NO.	SIZE	QTY.	PURPOSE	YES/NO	NO.	SIZE	QTY.	PURPOSE	YES/NO
TL	1/2	2	FRAME COOLING CONNECTION	NO	TBL	1/4	2	VIB./TEMP. CONN.	YES
TF	3/8	1	BEARING FRAME DRAIN	YES	TZ	1/4	1	BOTTLE OILER CONN.	YES
TE	1/4	1	SUCTION GAUGE CONNECTION	NO	TY	1/2	1	OIL FILL	YES
TD	1/4	1	DISCH. GAUGE CONNECTION	NO	TN2	1/4	2	OIL MIST INJECTION PORT	YES
TC	1/4	1	BY-PASS CONNECTION	NO	TN	1/4	4	GREASE FITTING	YES
TB	1/2	1	CASING DRAIN	YES	TL1	---	2	FRAME COOLER ACCESS	YES

TAPPED OPENINGS MODEL 3196 STX 1X1.5-8 A.N.S.I. NO. AA

GOULDS PUMPS TAPPED OPENINGS Model 3196 STX Size 1x1.5-8





CENTRIFUGAL PUMP CHARACTERISTICS

CDS 5008-2
RPM 3500

Model: 3196/HT3196

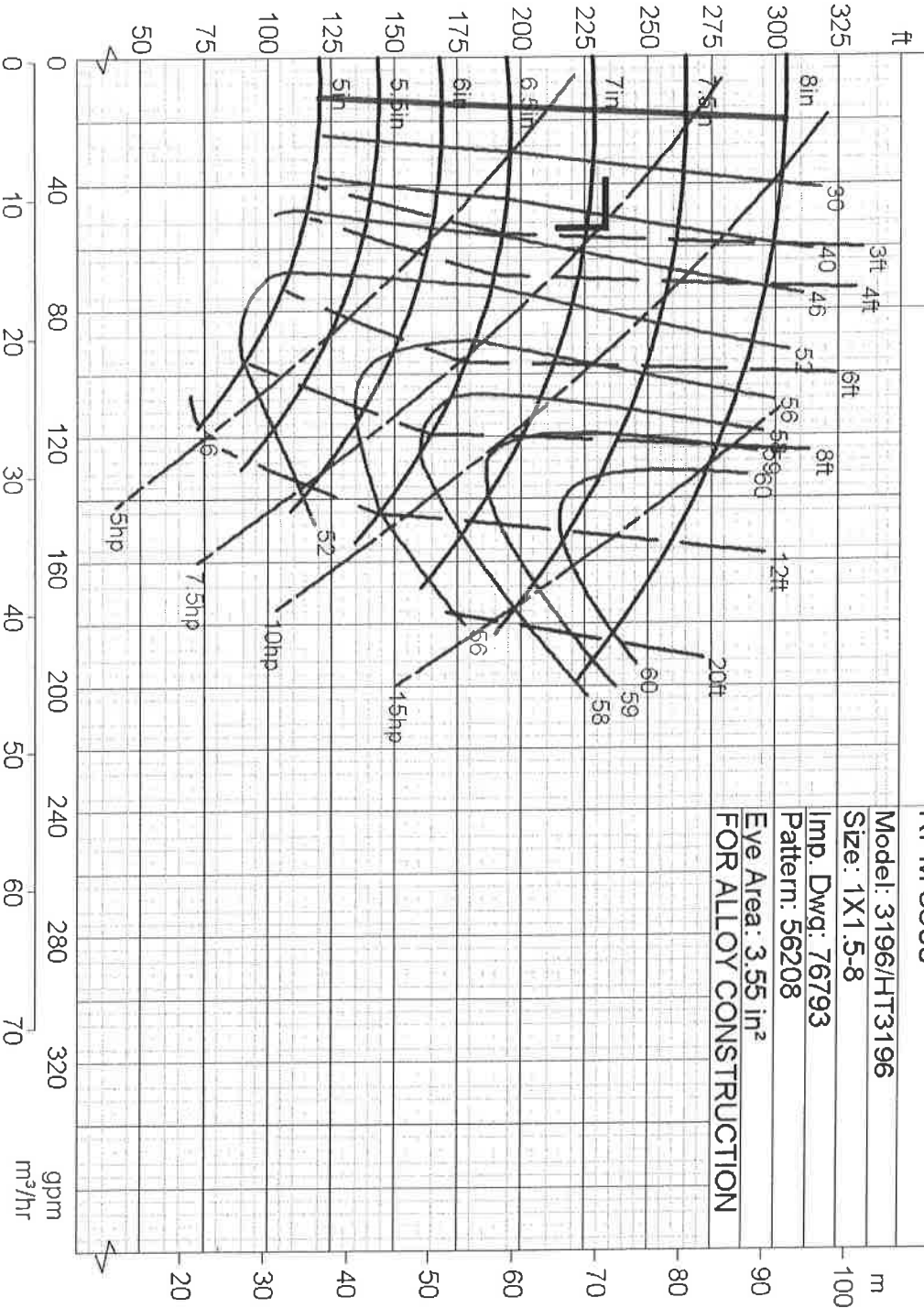
Size: 1X1.5-8

Imp. Dwg: 76793

Pattern: 56208

Eye Area: 3.55 in²

FOR ALLOY CONSTRUCTION



Rated Flow: 55.0 gpm
Rated TDH: 230.0 ft
Imp. Diam.: 7.1250 in
Certified By: Andrew Young

Customer: URGENT PSI, INC
Goulds Serial No: 729514
Customer P.O. No: 6018-70901
Item No: RC-4110
Service: FLASHED RC BOTTOMS PUMP
End User: CENTRAL ILLINOIS ENERGY LLC
Project No: 2003-01
Location: CANTON, ILLINOIS

