

06018  
CENTRAL ILLINOIS  
ETHANOL PLANT  
CANTON, ILLINOIS

**CROSS REFERENCE FILE FORM**

EQUIPMENT TAG NUMBER:	PC-4204
INFORMATION/DRAWINGS FILED WITH TAG NUMBER:	PC-2101



# SUPPLIER DOCUMENTS INDEX

# FIELD FILE

TO: LURGI PSI INC ATTN: JADWIGA MILLER 1790 KIRBY PARKWAY MEMPHIS, TN 38138	SERIAL NO.: 729F517 CUSTOMER: LURGI PSI INC P. O. NO.: 6018-70901 PUMP ITEM NO.: PC-4204 SERVICE: PROCESS CONDENSATE NO. 2 END USER : CENTRAL ILLINOIS ENERGY, L.L.C. PROJECT # : 2003-01 LOCATION : CANTON, ILLINOIS	SUPPLIER INFORMATION: GOULDS PUMPS, INC. 240 FALL STREET SENECA FALLS, NY, 13148  CONTRACT ADMINISTRATOR: Carl Sangiacomo CONTRACT MANAGER: Dave Spruill DATE: 12/06/06 MAILED VIA: ups ground	/ ORDER: 566323	SUPPLIER DOC. # / REVISION NO.	REVIEW QTY.	FINAL QTY.	DATE APPROVED	SUBMIT DATE	RETURN DATE	RET. CODE
Pump Documents Required * Pump Outline	01	12/06/06	0/00/00	12/06/06	0/00/00	0/00/00	12/06/06	12/06/06	0/00/00	
* Tapped Openings	01	12/06/06	0/00/00	12/06/06	0/00/00	0/00/00	12/06/06	12/06/06	0/00/00	
* Pump CDS Curve	01	12/06/06	0/00/00	12/06/06	0/00/00	0/00/00	12/06/06	12/06/06	0/00/00	
* Cross Sectional	01	12/06/06	0/00/00	12/06/06	0/00/00	0/00/00	12/06/06	12/06/06	0/00/00	
* 3196 Pump Instruction Manuals	01	12/06/06	0/00/00	12/06/06	0/00/00	0/00/00	12/06/06	12/06/06	0/00/00	
Seal Documents Required * Seal Drawing	01	12/06/06	0/00/00	12/06/06	0/00/00	0/00/00	12/06/06	12/06/06	0/00/00	
Motor Documents Required * Motor Outline	01	12/06/06	0/00/00	12/06/06	0/00/00	0/00/00	12/06/06	12/06/06	0/00/00	
* Motor Wiring Diagram	01	12/06/06	0/00/00	12/06/06	0/00/00	0/00/00	12/06/06	12/06/06	0/00/00	
* Motor Electrical/Performance	01	12/06/06	0/00/00	12/06/06	0/00/00	0/00/00	12/06/06	12/06/06	0/00/00	
* Motor Instructions-(Reliance)	01	12/06/06	0/00/00	12/06/06	0/00/00	0/00/00	12/06/06	12/06/06	0/00/00	
Q.A. Documents Required * Comp. Hydrostatic Test Report	01	12/06/06	0/00/00	12/06/06	0/00/00	0/00/00	12/06/06	12/06/06	0/00/00	

06018  
OIE-ETHANOL

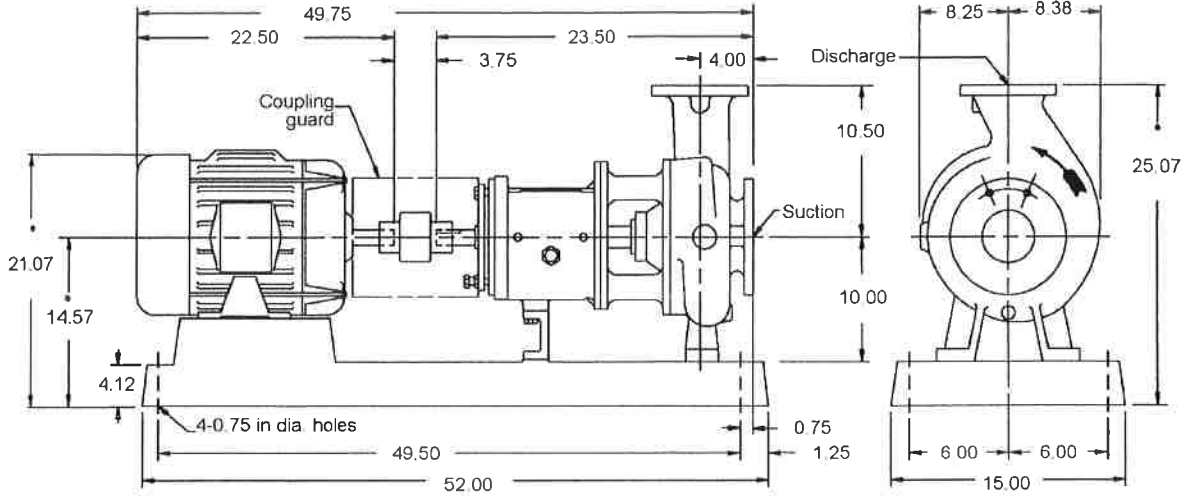
RECEIVED DEC 13 2006

17.1 PC-4204  
File: 0180013058

(\*) Denotes Documents in this Submittal.  
Your complete Approval is required before order is scheduled and released to manufacturing. Please forward Approval by / / .

\*\* The above literature is for your information and records. It does not require your approval. Retain literature as your final distribution.

Note: Any Changes may affect Quoted Price and Shipping Details.



**Pump specification**

SUCT.FLANGE SIZE	3"	DRILLING	ANSI 150#	FACING	FF	FINISH	SERRATED
DISCH.FLANGE SIZE	1.5"	DRILLING	ANSI 150#	FACING	FF	FINISH	SERRATED
PUMP ROTATION ( LOOKING AT PUMP FROM MOTOR )	CW						
TYPE OF LUBRICATION	FLOOD OIL					COOLED	NO
TYPE OF STUFFING BOX	TAPER BORE PLUS WITH VPE					COOLED	NO
TYPE OF SEALING	MECHANICAL SEAL						

**Weights and Measurements**

PUMP	265.0 lb
MOTOR/CPLG	235.0/5.5 lb
BASEPLATE	155.0 lb
TOTAL	660.5 lb
GR.VOLUME w/BOX	22.2 ft <sup>3</sup>
GR.WEIGHT w/BOX	771.5 lb

**Motor specification**

MOTOR BY	PUMP MFG	MOUNT BY	PUMP MFG	MFG.	RELIANCE
FRAME	254T	POWER	15.0 hp	RPM	1800
PHASE	3	FREQUENCY	60 HZ	VOLTS	460
INSULATION	F	S.F.	1.15		
ENCLOSURE	FCXP-XEXCLASS 1, GRP D, CLASS 2, GRP F&G T3C				

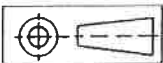
**Notes and References**

- MTR DIMENSIONS ARE APPROXIMATE
  - INSTALL FOUNDATION BOLTS IN PIPE SLEEVES
  - ALLOW FROM 0.75 to 1.50in. FOR GROUTING. SEE INSTRUCTION BOOK FOR DETAILS.
  - \*Tolerance is +0 -0.5
  - DISCHARGE FLANGE HAS 4-1/2-13 UNC TAPPED HOLES
- FOR PUMP TAPPED OPENINGS REFER TO DWG.: A729517T

**Auxiliary specification**

COUPLING BY	PUMP MFG	CPLG TYPE	REXNORD OMEGA REX ELASTOMER- ES-4 (STANDA
CPL GUARD BY	PUMP MFG.	CPLG GUARD MATL	CARBON STEEL
BASEPLATE	CAST IRON CAMBER TOP D00057A (*)		
MECH.SEAL	JOHN CRANE - 5610Q - O(28)F(55)1O(28)O(58)H		

(\*) Baseplate is sized to accommodate 254T/256T future motor size



All dimensions are in inches.  
Drawing is not to scale  
Weights (lbs) are approximate

DIMENSIONS ARE CERTIFIED FOR CONSTRUCTION BY:

**Joyce Sutterby**

DATE December 6, 2006

Customer: LURGI PSI, INC.  
Goulds Serial No: 729F517  
Customer P.O. No: 6018-70901  
Item No: PC-4204  
Service: PROCESS CONDENSATE NO.2  
End User: CENTRAL ILLINOIS ENERGY L.L.C.  
Project No: 2003-01  
Location: CANTON, ILLINOIS

**DRAWING NO** A7295170

**Rev. 0**

Date: December 6, 2006

SUPERSEDES ANY PREVIOUS DRAWINGS

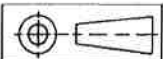
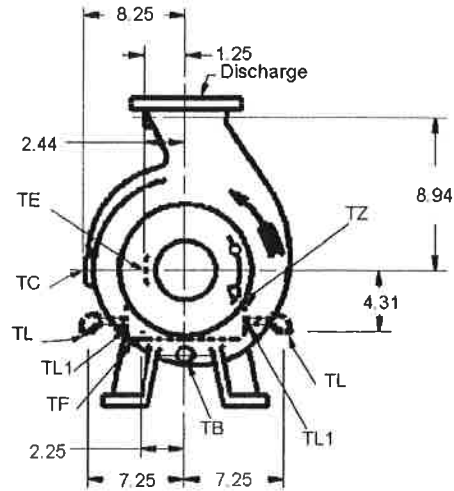
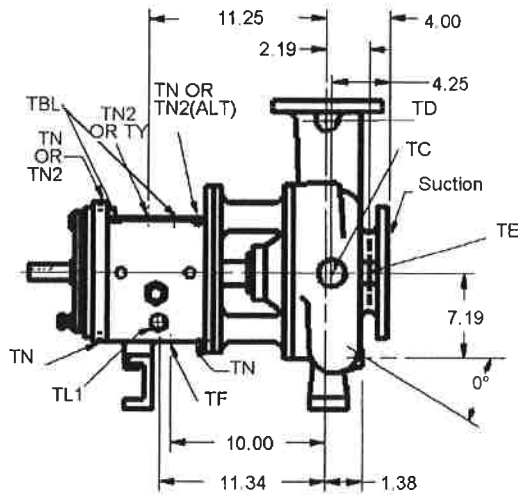


**GOULDS PUMPS TAPPED OPENINGS Model 3196 MTX**  
**Size 1.5x3-13**



TAPPED OPENINGS MODEL 3196 MTX 1.5x3-13 A.N.S.I NO. A20

NO.	SIZE	QTY.	PURPOSE	FURNISHED		NO.	SIZE	QTY.	PURPOSE	FURNISHED	
				YES/NO						YES/NO	
TB	1/2	1	CASING DRAIN	YES		TL1	---	2	FRAME COOLER ACCESS	YES	
TC	1/2	1	BY-PASS CONNECTION	NO		TN	1/4	4	GREASE FITTING	YES	
TD	3/8	1	DISCH. GAUGE CONNECTION	NO		TN2	1/4	2	OIL MIST INJECTION PORT	YES	
TE	3/8	1	SUCTION GAUGE CONNECTION	NO		TY	1/2	1	OIL FILL	YES	
TF	3/8	1	BEARING FRAME DRAIN	YES		TZ	1/4	1	BOTTLE OILER CONN.	YES	
TL	1/2	2	FRAME COOLING CONNECTION	NO		TBL	1/4	2	VIB./TEMP. CONN.	YES	



All dimensions are in inches.  
 Drawing is not to scale

DIMENSIONS ARE CERTIFIED FOR CONSTRUCTION BY:

**Joyce Sutterby**

DATE December 6, 2006

Customer: LURGI PSI, INC.  
 Goulds Serial No: 729F517  
 Customer P.O. No: 6018-70901  
 Item No: PC-4204  
 Service: PROCESS CONDENSATE NO.2  
 End User: CENTRAL ILLINOIS ENERGY L.L.C.  
 Project No: 2003-01  
 Location: CANTON, ILLINOIS

**DRAWING NO** A729517T **Rev. 0** Date: December 6, 2006

**SUPERSEDES ANY PREVIOUS DRAWINGS**

2 FT NPSH

# CDS 4996-2

RPM 1750

Model: 3196/HT3196

Size: 1.5X3-13

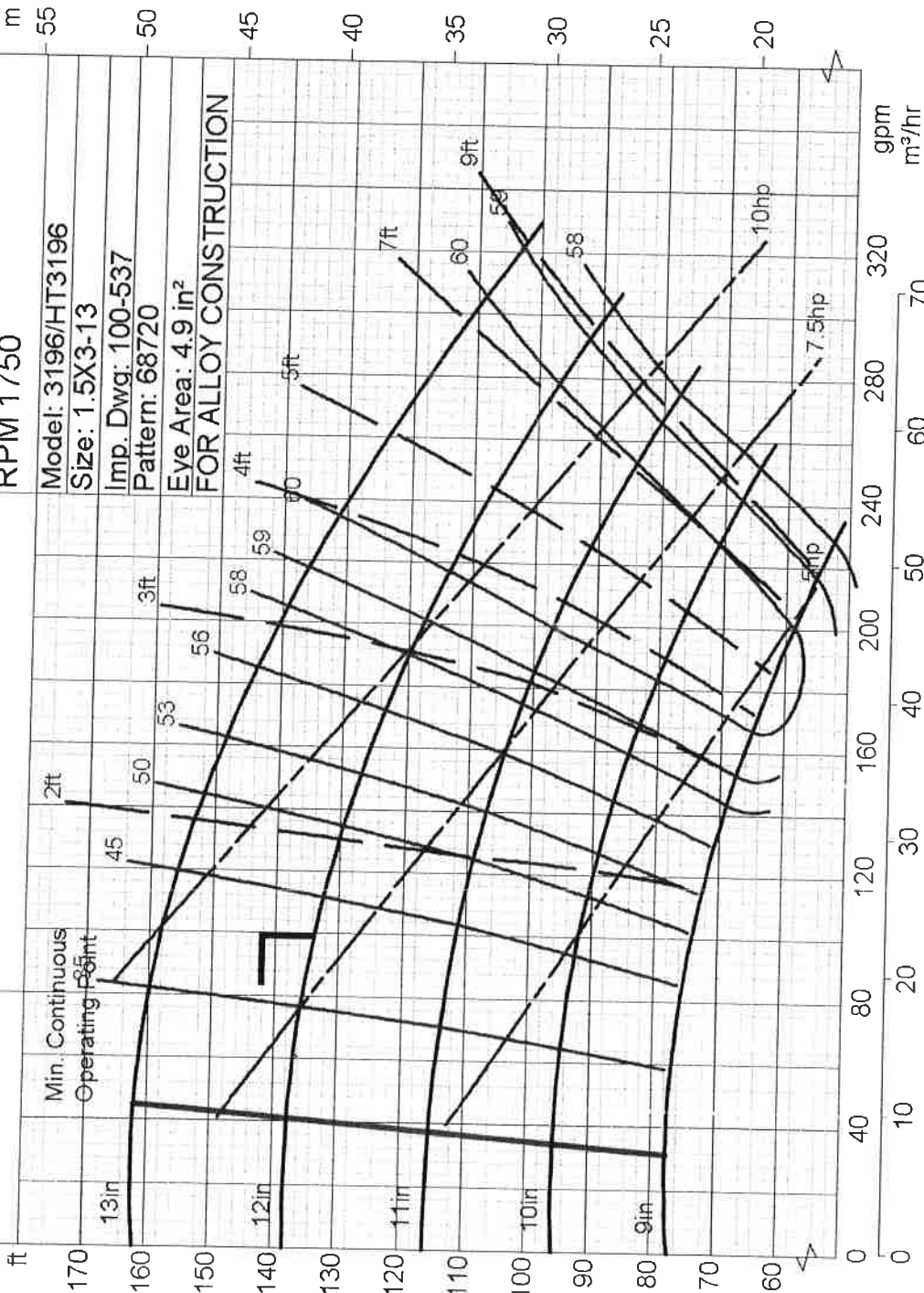
Imp. Dwg: 100-537

Pattern: 68720

Eye Area: 4.9 in<sup>2</sup>

FOR ALLOY CONSTRUCTION

## CENTRIFUGAL PUMP CHARACTERISTICS



Rated Flow: 100.0 gpm  
 Rated TDH: 140.0 ft  
 Imp. Diam.: 12.3750 in  
 Certified By: Andrew Young

120° F Dosing

Customer: LURGI PSI, INC  
 Goulds Serial No: 729F517  
 Customer P.O. No: 6018-70801  
 Item No: PC-4204  
 Service: PROCESS CONDENSATE NO.2  
 End User: CENTRAL ILLINOIS ENERGY LLC  
 Project No: 2003-01  
 Location: CANTON, ILLINOIS

