

06018
CENTRAL ILLINOIS
ETHANOL PLANT
CANTON, ILLINOIS

CROSS REFERENCE FILE FORM

EQUIPMENT TAG NUMBER:	PC-4205
INFORMATION/DRAWINGS FILED WITH TAG NUMBER:	PC-2101



SUPPLIER DOCUMENTS INDEX

FIELD FILE

TO: IURGI PSI INC
 ATTN: JADWIGA MILLER
 1790 KIRBY PARKWAY
 MEMPHIS, TN 38138

CC: KELLY GURENS
 LISA COMPTON

SERIAL NO.: 729F518
 CUSTOMER: IURGI PSI INC / ORDER: 566323
 P.O. NO.: 6018-70901
 PUMP ITEM NO.: PC-4205
 SERVICE: 1ST EFFECT CONDENSATE TO RC PUMP
 END USER : CENTRAL ILLINOIS ENERGY, L.L.C.
 PROJECT # : 2003-01
 LOCATION : CANTON, ILLINOIS

SUPPLIER INFORMATION: GOLIUS PUMPS, INC.
 240 FALL STREET
 SENECA FALLS, NY 13148

CONTRACT ADMINISTRATOR: Carl Saugiacomo
 CONTRACT MANAGER: Dave Spruiell
 DATE: 12/06/06
 MAILED VIA: ups ground

SUPPLIER DOCUMENT TITLE	SUPPLIER DOC.# / REVISION NO.	REVIEW QTY.	FINAL QTY.	DATE APPROVED	SUB#	DATE DATE	SUBMIT DATE	RETURN DATE	RET. CODE
Pump Documents Required			6P	0/00/00	01	12/06/06	12/06/06	0/00/00	
* Pump Outline			6P	0/00/00	01	12/06/06	12/06/06	0/00/00	
* Tapped Openings			6P	0/00/00	01	12/06/06	12/06/06	0/00/00	
* Pump CDS Curve			6P	0/00/00	01	12/06/06	12/06/06	0/00/00	
* Cross Sectional			6P	0/00/00	01	12/06/06	12/06/06	0/00/00	
* 3196 Pump Instruction Manuals			6P	0/00/00	01	12/06/06	12/06/06	0/00/00	
Seal Documents Required			6P	0/00/00	01	12/06/06	12/06/06	0/00/00	
* Seal Drawings			6P	0/00/00	01	12/06/06	12/06/06	0/00/00	
Motor Documents Required			6P	0/00/00	01	12/06/06	12/06/06	0/00/00	
* Motor Outline			6P	0/00/00	01	12/06/06	12/06/06	0/00/00	
* Motor Wiring Diagram			6P	0/00/00	01	12/06/06	12/06/06	0/00/00	
* Motor Electrical/Performance			6P	0/00/00	01	12/06/06	12/06/06	0/00/00	
* Motor Instructions - (Reliance)			6P	0/00/00	01	12/06/06	12/06/06	0/00/00	
Q.A. Documents Required			6P	0/00/00	01	12/06/06	12/06/06	0/00/00	
* Comp. Hydrostatic Test Report			6P	0/00/00	01	12/06/06	12/06/06	0/00/00	

(*) Denotes Documents in this Submittal.

Your complete approval is required before order is scheduled and released to manufacturing. Please forward Approval by / /

The above literature is for your information and records. It does not require your approval. Retain literature as your final distribution.

Note: Any Changes may affect Quoted Price and Shipping Details.

06018
 CIE: ETHANCL
 RECEIVED BY: UPS
 2005

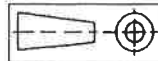
171
 File: PC-4205
 01800 13059

All dimensions are in inches.
Drawing is not to scale.
Weights (lbs) are approximate

SUPERSEDES ANY PREVIOUS DRAWINGS

DRAWING NO A7295180 Rev. 0 Date: December 6, 2006

Customer: LURGI PSI, INC.
Goulds Serial No: 729F518
Customer P.O. No: 6018-70901
Item No: PC-4205
Service: 1ST EFFECT CONDENSATE TO RC PUMP
End User: CENTRAL ILLINOIS ENERGY L.L.C.
Project No: 2003-01
Location: CANTON, ILLINOIS



Joyce Sutterby

DATE December 6, 2006

DIMENSIONS ARE CERTIFIED FOR CONSTRUCTION BY:

(*) Baseplate is sized to accommodate 284T/284TS/286T/286TS future motor size

MECH. SEAL JOHN CRANE - 5610Q - X(18)F(55)1X(18)O(58)H
BASEPLATE CAST IRON CAMBER TOP D00057A (*)
CPL GUARD BY PUMP MFG. CPLG GUARD MATL CARBON STEEL
COUPLING BY PUMP MFG. CPLG TYPE KEXNORD OMEGA REX ELASTOMER-ES-5 (STANDA

Auxiliary specification

MOTOR BY PUMP MFG. MOUNT BY PUMP MFG. MFG. RELIANCE
FRAME 256T POWER 20.0 hp RPM 1800
PHASE 3 FREQUENCY 60 HZ VOLTS 460
INSULATION F S.F. 1.15
ENCLOSURE FEXP-XEXCLASS 1, GRP D, CLASS 2, GRP F&G T3C

Motor specification

SUCT. FLANGE SIZE 3" DRILLING ANSI 150# FACING FF FINISH SERATED
DISCH. FLANGE SIZE 2" DRILLING ANSI 150# FACING FF FINISH SERATED
PUMP ROTATION (LOOKING AT PUMP FROM MOTOR) CW
TYPE OF LUBRICATION FLOOD OIL COOLED NO
TYPE OF STUFFING BOX TAPER BORE PLUS WITH VPE COOLED NO
TYPE OF SEALING MECHANICAL SEAL

Pump specification

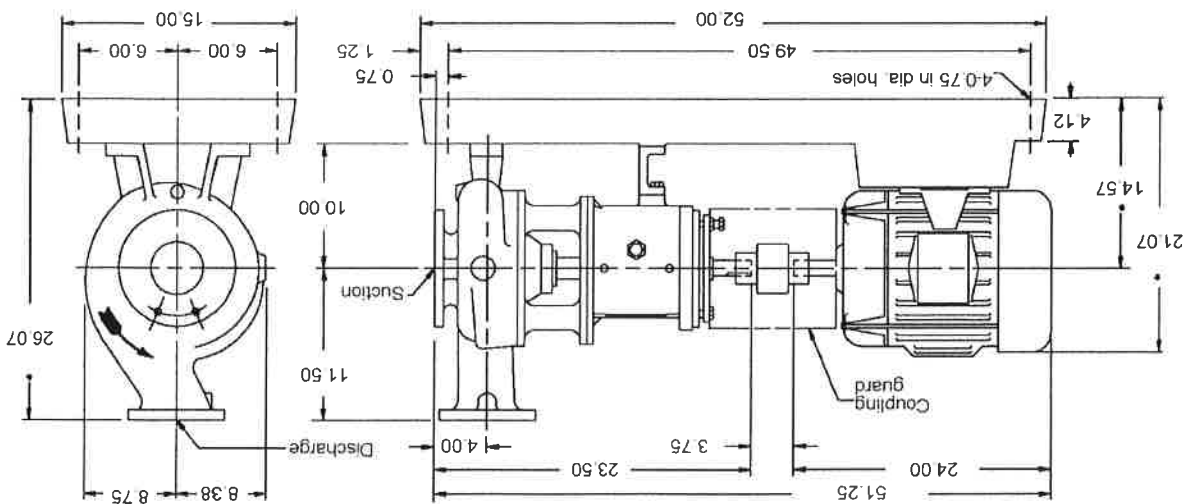
MTR DIMENSIONS ARE APPROXIMATE
 - INSTALL FOUNDATION BOLTS IN PIPE SLEEVES
 - ALLOW FROM 0.75 to 1.50in. FOR GROUTING. SEE INSTRUCTION BOOK FOR DETAILS.
 *Tolerance is +0 -0.5

FOR PUMP TAPPED OPENINGS REFER TO DWG.: A7295181

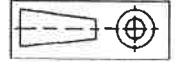
Notes and References

PUMP 295.0 LB
MOTOR/CPLG 270.0/8.2 LB
BASEPLATE 155.0 LB
TOTAL 728.2 LB
GR.VOLUME W/BOX 23.4 FC ³
GR.WEIGHT W/BOX 845.2 LB

Weights and Measurements



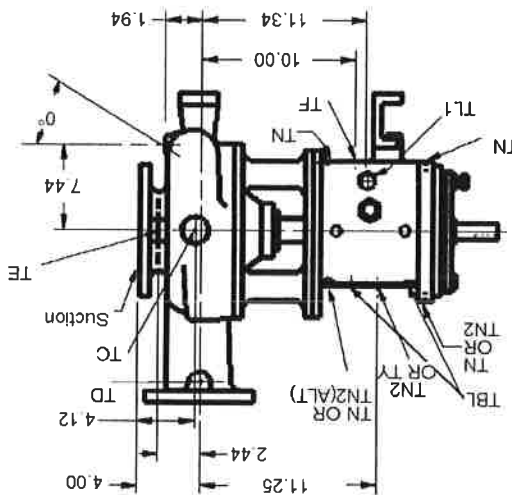
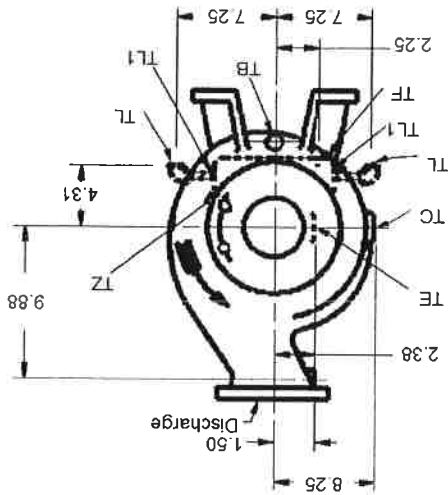
All dimensions are in inches.
Drawing is not to scale.



JOYCE SUTTERBY
DIMENSIONS ARE CERTIFIED FOR CONSTRUCTION BY:
DATE December 6, 2006

Customer: LURGI PSI, INC.
Goulds Serial No: 729F518
Customer P.O. No: 6018-70901
Item No: PC-4205
Service: 1ST EFFECT CONDENSATE TO RC PUMP
End User: CENTRAL ILLINOIS ENERGY L.L.C.
Project No: 2003-01
Location: CANTON, ILLINOIS

DRAWING NO A729518T **Rev. 0** Date: December 6, 2006
SUPERSEDES ANY PREVIOUS DRAWINGS



FURNISHED		YES/NO		FURNISHED		YES/NO	
NO.	SIZE	QTY.	PURPOSE	NO.	SIZE	QTY.	PURPOSE
1	1/2	1	CASING DRAIN	YES	TL1	---	FRAME COOLER ACCESS
1	1/2	1	BY-PASS CONNECTION	NO	TN	1/4	GREASE FITTING
1	3/8	1	DISCH. GAUGE CONNECTION	NO	TN2	1/4	OIL MIST INJECTION PORT
1	3/8	1	SUCTION GAUGE CONNECTION	NO	TY	1/2	OIL FILL
1	3/8	1	BEARING FRAME DRAIN	YES	TZ	1/4	BOTTLE OILER CONN.
2	1/2	2	FRAME COOLING CONNECTION	NO	TBL	1/4	VIB./TEMP. CONN.

TAPPED OPENINGS MODEL 3196 MTX 2x3-13 A.N.S.I. NO. A30



CENTRIFUGAL PUMP CHARACTERISTICS

CDS 3832-4
RPM 1770

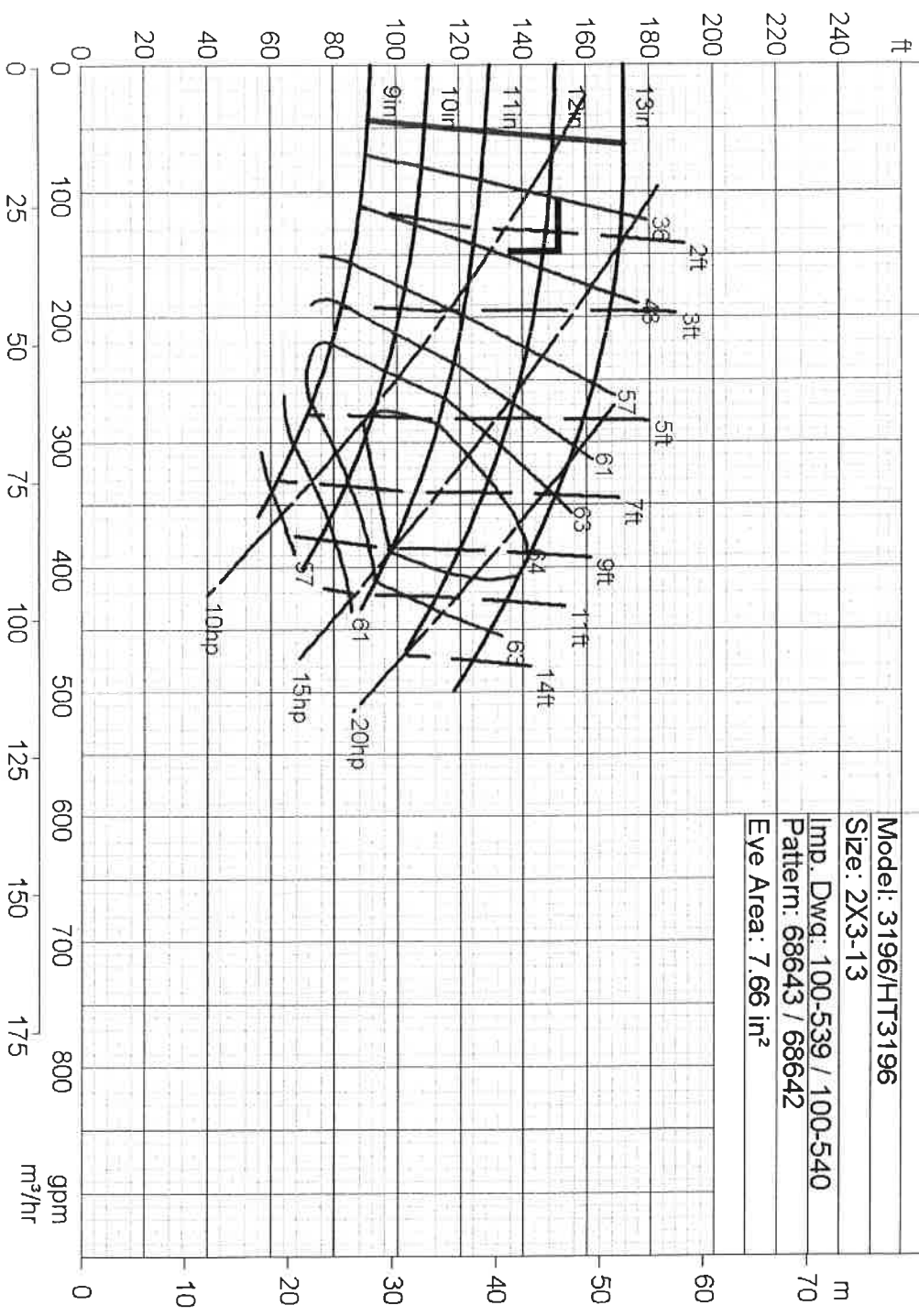
Model: 3196/HT3196

Size: 2X3-13

Imp. Dwg: 100-539 / 100-540

Pattern: 68643 / 68642

Eye Area: 7.66 in²

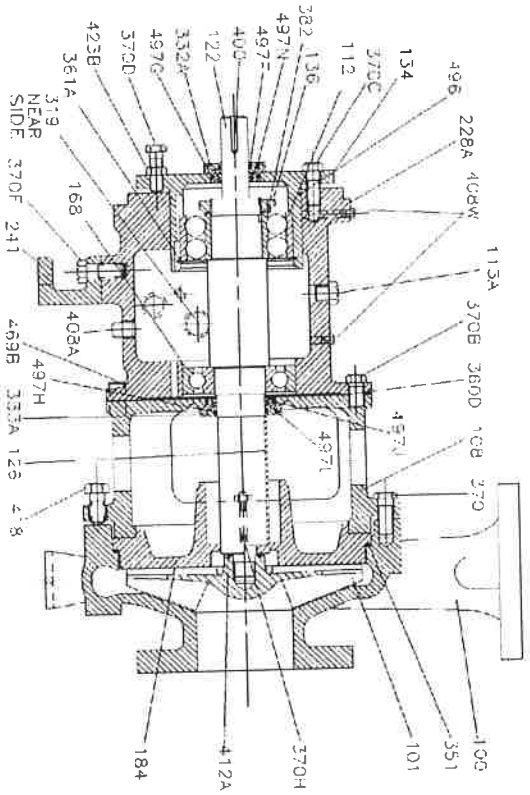


Rated Flow: 150.0 gpm
 Rated TDH: 150.0 ft
 Imp. Diam.: 12.2500 in
 Certified By: Andrew Young

Customer: LUBICI PSI, INC.
 Goulds Serial No: 7292518
 Customer O. No: 6078-70901
 Item No: RC-4205
 Service: 1ST EFFECT CONDENSATE TO RC PUMP
 End User: CENTRAL ILLINOIS ENERGY L.L.C.
 Project No: 2003-01
 Location: GARDTON, ILLINOIS

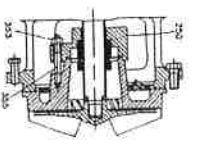


FLOOD OIL LUBRICATION



* Recommended spare parts
Items not illustrated

SEAL CHAMBER
TAPER BORE TM PLUS



REFER TO SEAL DRAWING NO. HSP 38068
FORM # ED0334 +336

BILL OF MATERIAL

ITEM	QTY	PART NAME	MATERIAL	ASTM#
100	1	CASING	316SS CF	A743, A744
100A	1	IMPELLER W/O-RINGS	316SS CF	A743, A744
101	1	FRAME ADAPTER	316SS CF	A743, A744
108	1	BALL BEARING OUTBOARD	316SS	DI 60
112	1	PIPE PLUG OIL FILL	316SS	A536-94
113A	1	SHAFT	CARBON STEEL GR B	A307
122	1	BEARING HOUSING	CAST IRON	A48
134	1	BEARING LOOK NUT	CAST IRON	A48
136	1	BALL BEARING (IMBOARD)	316SS CF	A743, A744
168	1	ST BOX COVER	CAST IRON	A48
184	1	FRAME	CAST IRON	A48
228A	1	FRAM FOOT OR Y BASE	CAST IRON	A48
241	1	FRAM FOOT WINDOW	CAST IRON	A48
319	1	LAB SEAL OB	NON/ASB	
324	1	LAB SEAL IB	NON/ASB	
332A	1	CASE GASKET	NON/ASB	
332B	1	GLAND STUD	NON/ASB	
335	1	GLAND WASHER	NON/ASB	
355	1	HEX NUT (GLAND STUD)	NON/ASB	
357K	1	NUT HEX (COVER TO ADAPT)	NON/ASB	
359N	1	GLAND PLUG	NON/ASB	
360D	1	GASKET ADAPTER	VELLUMOID P3313B	
361A	1	RETAINING RING BRG HSG	CARBON STEEL GR B	A276-95
370	1	H CAP SCREW (CASE)	CARBON STEEL GR B	A276-95
370B	1	H CAP SCREW (FRAME-ADPTR)	CARBON STEEL GR B	A276-95
370C	1	H CAP SCREW (BRG HSG-FRA)	CARBON STEEL GR B	A276-95
370D	1	H CAP SCREW (IMPLR ADJ)	CARBON STEEL GR B	A276-95
370F	1	H CAP SCREW (FR-FR FOOT)	CARBON STEEL GR B	A276-95
370H	1	STUD (COVER)	CARBON STEEL GR B	A276-95
382	1	BEARING LOCKWASHER	CARBON STEEL 1018/1020	A108
383	1	MECHANICAL SEAL (ORDERED)	CARBON STEEL GR B	A276-95
400	1	SO END KEY (OPLG)	CARBON STEEL GR B	A276-95
408A	1	PIPE PLUG (OIL DRAIN)	CARBON STEEL GR B	A276-95
408B	1	PIPE PLUG (OIL MIST CONN)	CARBON STEEL GR B	A276-95
408C	1	PIPE PLUG (OILER PLUG IN)	CARBON STEEL GR B	A276-95
408M	1	PIPE PLUG (FRAME CLG IN)	CARBON STEEL GR B	A276-95
412A	1	PIPE PLUG (FR CLG OUT)	CARBON STEEL GR B	A276-95
418	1	O-RING IMPLR	TEFLON	A3651
423	1	H TAP BOLT	304SS	A276-95
423B	1	JAM NUT (BRG HSG)	CARBON STEEL GR B	A276-95
469B	1	DOWEL BRG (FRAME-ADPTR)	BUNAN-VITON	
496	1	O-RING BRG HOUSING	BUNAN-VITON	
497F	1	O-RING LAB SEAL	BUNAN-VITON	
497G	1	O-RING LAB SEAL	BUNAN-VITON	
497H	1	O-RING LAB SEAL	BUNAN-VITON	
497I	1	O-RING LAB SEAL	BUNAN-VITON	
497J	1	O-RING LAB SEAL	BUNAN-VITON	
487L	1	ORING RADIAL O.B	BUNAN-VITON	
487M	1	ORING THRUST O.D	BUNAN-VITON	
528A	1	WASHER PLAIN FRAME FOOT	BUNAN-VITON	
502	1	MAINTENANCE KIT	BUNAN-VITON	
505A	1	OIL PUMP REPAIR KIT	BUNAN-VITON	
520A	1	POWER END	BUNAN-VITON	

Customer: LURGI PSI, INC.
Goulds Serial No. 729F518
Customer P.O. No: 6018-70901
Item No: PC-4205
Service: 1ST EFFECT CONDENSATE TO RC PUMP
End User: CENTRAL ILLINOIS ENERGY L.L.C.
Project No: 2003-01
Location: CANTON, ILLINOIS

DRAWING NO A729518C **Rev. 0** Date: December 6, 2006
SUPERSEDES ANY PREVIOUS DRAWINGS