

06018  
CENTRAL ILLINOIS  
ETHANOL PLANT  
CANTON, ILLINOIS

CROSS REFERENCE FILE FORM

EQUIPMENT TAG NUMBER:	PC-4208
INFORMATION/DRAWINGS FILED WITH TAG NUMBER:	PC-2101



Goulds Pumps

# SUPPLIER DOCUMENTS INDEX

TO: LURGI PSI INC ATTN: JADWIGA MILLER 1790 KIRBY PARKWAY MEMPHIS, TN 38138		SERIAL NO.: 729F520 CUSTOMER: LURGI PSI INC P.O. NO.: 6018-70901 PUMP ITEM NO.: PC-4208 SERVICE: 2ND EFFECT SYRUP PUMP END USER : CENTRAL ILLINOIS ENERGY, L.L.C. PROJECT # : 2003-01 LOCATION : CANTON, ILLINOIS		/ ORDER: 566323		SUPPLIER INFORMATION : GOULDS PUMPS, INC. 240 FALL STREET SENECA FALLS, NY, 13148  CONTRACT ADMINISTRATOR: Carl Sangiacomo CONTRACT MANAGER: Dave Spuill DATE: 1/05/07 MAILED VIA:			
SUPPLIER DOCUMENT TITLE	SUPPLIER DOC. # / REVISION NO.	REVIEW QTY.	FINAL QTY.	DATE APPROVED	SUB#	DUE DATE	SUBMIT DATE	RETURN DATE	REF. CODE
Pump Documents Required Pump Outline			6P	0/00/00	01	12/06/06	12/06/06	0/00/00	
Tapped Openings			6P	0/00/00	01	12/06/06	12/06/06	0/00/00	
Pump CDS Curve			6P	0/00/00	01	12/06/06	12/06/06	0/00/00	
Cross Sectional			6P	0/00/00	01	12/06/06	12/06/06	0/00/00	
3196 Pump Instruction Manuals			6P	0/00/00	01	12/06/06	12/06/06	0/00/00	
Plan 53 With Finned Tubing			6P	0/00/00	01	12/06/06	12/06/06	0/00/00	
Seal Documents Required Seal Drawing			6P	0/00/00	01	12/06/06	12/06/06	0/00/00	
Motor Documents Required Motor Outline			6P	0/00/00	01	12/06/06	12/06/06	0/00/00	
Motor Wiring Diagram			6P	0/00/00	01	12/06/06	12/06/06	0/00/00	
Motor Electrical/Performance			6P	0/00/00	01	12/06/06	12/06/06	0/00/00	
Motor Instructions - (Reliance)			6P	0/00/00	01	12/06/06	12/06/06	0/00/00	
Q.A. Documents Required Comp. Hydrostatic Test Report			6P	0/00/00	01	12/06/06	12/06/06	0/00/00	
Tank Data Required * Tank Drawing			6P	0/00/00	01	12/06/06	1/05/07	0/00/00	

\*\*\* End of Report \*\*\*

03018  
CIE: ETHANOL  
RECEIVED JAN 10 2007  
171 PC-4208  
0180013062

(\*) Denotes Documents in this Submittal.  
 - Your complete Approval is required before order is scheduled and released to manufacturing. Please forward Approval by / / .  
 \*\* The above literature is for your information and records. It does not require your approval or literature as your final distribution.  
 Note: Any Changes may affect Quoted Price and Shipping Details.

**BILL OF MATERIALS**

ITEM QTY	DESCRIPTION	PART NO.	MATERIAL
1	1 SHELL: 6" SCH 10 x 26 1/2" LG ERW	MP-11W7	SA-312 316L
2	1 TOP HEAD: 6" FOR SCH 10	L30-1107-201	SA-340 316L
3	1 BOTTOM HEAD: 6" FOR SCH 10	L30-1107-101	SA-340 316L
4	2 LEVEL GAUGE: LEMCO BULLSEYE	LU-0088-101	316 WFO
5	4 HALF COUPLER: 1/2" NPT CLASS 3000	L70-43H7-NP1	SA-182 F316L
6	1 GCL NAME PLATE	L35-0004-005	304 SS
7	1 TEE: 1/2" NPT CLASS 3000	L10-4377-NP1	SA-182 F316L
8	1 PIPE: 1/2" NPT x 3" LG SCH 160	L13-44N7-304	SA-312 316L
9	1 PIPE: 1/2" NPT x 6" LG SCH 160	L13-44N7-404	SA-312 316L
10	1 BALL VALVE: 1/2" NPT (2 PIECE)	LVB-4NN6-105	316 SS
11	1 PRESSURE GAUGE: 2 1/2" DIA 0-200 PSI	LPI-AN5-U02	316 WFO
12	1 PLUG: 1" NPT ROUND BAR	L10-80R7-NP1	SA-182 F316L
13	2 BUSHING: 1/2" MNPT x 1/4" FNPT HEX HEAD	L12-4407-2N1	SA-182 F316L
14	1 PIPE: 1/4" NPT x 1 1/2" LG SCH 40	L13-24N6-246	SA-312 316L
15	1 PRESSURE REGULATOR: PARKER NO. 20R1135CW	LPR-1258-000	BRASS

**John Crane Lemco**  
 TELCA, OKLAHOMA 74110 U.S.A.

400 PSI = 200 FT  
 MAXIMUM ALLOWABLE WORKING PRESSURE

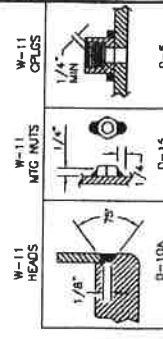
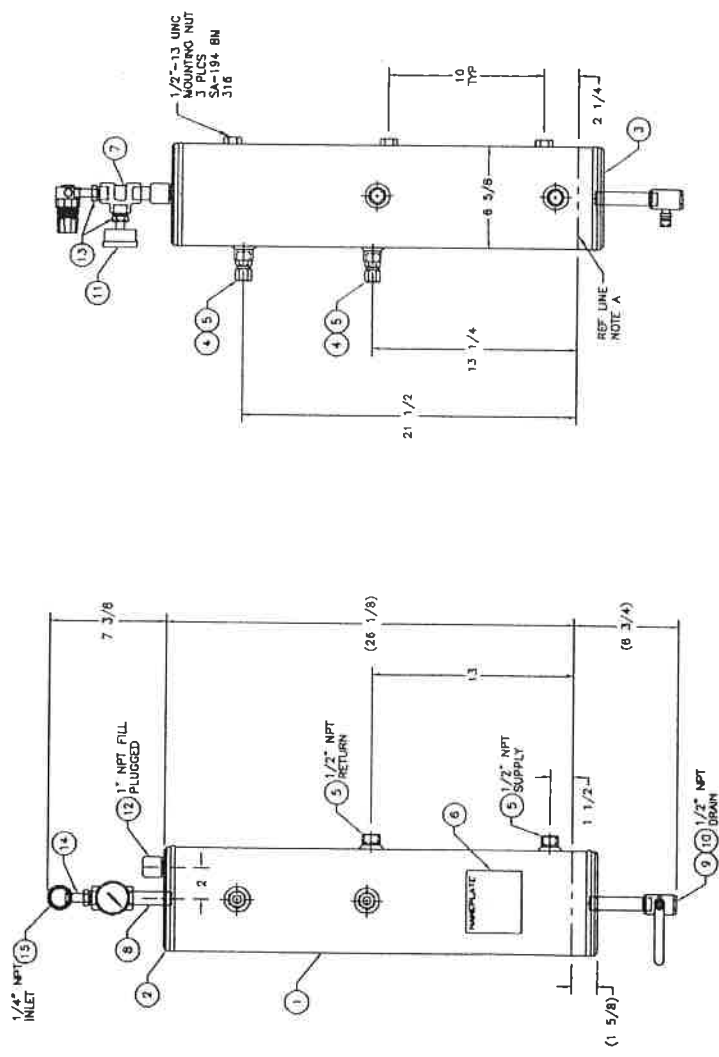
-20 FT = 400 PSI  
 MINIMUM DESIGN METAL TEMPERATURE

SEE TABLE

MFG. S.N. LNS3-38852-001 2007  
 PART NUMBER YEAR BUILT

**NOTES:**

- PRESSURE RELIEF DEVICES ARE NOT PROVIDED BY THE MANUFACTURER (SEE THE ASME CODES FOR SECTION I, PARAGRAPH UG-125 FOR USER RESPONSIBILITIES).
- THE WELD JOINT PREPARATION 1. PARAGRAPH UG-57 FOR THE BOTTOM HEAD SHALL BE EXAMINED BEFORE WELDING BY PT OR MT PER UG-59(a)(3)&(4).
- AFTER WELDING, BOTH THE PERIPHERAL EDGE OF THE BOTTOM HEAD AND ANY REMAINING EXPOSED SURFACE OF THE WELD JOINT PREPARATION SHALL BE REEXAMINED BY PT OR MT PER UG-59(a)(3)&(4).



ITEM	DESCRIPTION	QTY	UNIT
W-11	HEADS	2	D-10A
W-11	MTG NUTS	2	D-15
W-11	CPULS	2	D-5

RE-1603 3 GAL RES ASSY  
 GOULDS PUMPS

John Crane Lemco  
 2931 East Avenue Street  
 Tulsa, Oklahoma 74110  
 Telephone: 918 635 7325  
 Facsimile: 918 635 5823

Customer: LURGI PSI, INC.  
 Goulds Serial No: 729F520  
 Customer P.O. No: 6018-70901  
 Item No: PC-4208  
 Service: 2ND EFFECT SYRUP PUMP  
 End User: CENTRAL ILLINOIS ENERGY LLC  
 Project No: 2003-01  
 Location: CANTON, ILLINOIS

ITEM	DESCRIPTION	QTY	UNIT
ASSEMBLY TOLERANCES	(UNLESS OTHERWISE NOTED)		
GENERAL VESSEL	± 1/4"		
PUMP STRANG	± 1/2"		
REF DIMS	± 1/2"		
ANGULAR	± 2 DEG		

- SHOP NOTES:**
- REFERENCE LINE IS 1.00" FROM END OF SHELL.
  - ALL DIMENSIONS IN ( ) ARE REFERENCE DIMENSIONS.
  - ALL DIMENSIONS ARE IN INCHES.
  - DRILL HOLES IN SHELL PER LES-2003 UNLESS OTHERWISE NOTED.
  - LEAK TEST @ 90 PSI.

LNS3-38852-001



# SUPPLIER DOCUMENTS INDEX

# FIELD FILE

TO: LURGI PSI INC ATTN: JADWIGA MILLER 1790 KIRBY PARKWAY MEMPHIS, TN 38138	SERIAL NO.: 729F520 CUSTOMER: LURGI PSI INC P.O. NO.: 6018-70901 PUMP ITEM NO.: FC-4208 SERVICES: 2ND EFFECT SYRUP PUMP END USER: CENTRAL ILLINOIS ENERGY, L.L.C. PROJECT #: 2003-01 LOCATION: CANTON, ILLINOIS	SUPPLIER INFORMATION GOULDS PUMPS, INC. 240 FALL STREET SENECA FALLS, NY, 13148  CONTRACT ADMINISTRATOR: Carl Sangiacomo CONTRACT MANAGER: Dave Spruill DATE: 12/06/06 MAILED VIA: ups ground	ORDER: 566323	SUBMIT			REF. CODE
				SUB#	DATE	DATE	
Pump Documents Required							
* Pump Outline				01	12/06/06	12/06/06	0/00/00
* Tapped Openings				01	12/06/06	12/06/06	0/00/00
* Pump CDS Curve				01	12/06/06	12/06/06	0/00/00
* Cross Sectional				01	12/06/06	12/06/06	0/00/00
* 3196 Pump Instruction Manuals				01	12/06/06	12/06/06	0/00/00
* Plan 53 With Finned Tubing				01	12/06/06	12/06/06	0/00/00
Seal Documents Required							
* Seal Drawing				01	12/06/06	12/06/06	0/00/00
Motor Documents Required							
* Motor Outline				01	12/06/06	12/06/06	0/00/00
* Motor Wiring Diagram				01	12/06/06	12/06/06	0/00/00
* Motor Electrical/Performance				01	12/06/06	12/06/06	0/00/00
* Motor Instructions-(Reliance)				01	12/06/06	12/06/06	0/00/00
O.A. Documents Required							
* Comp. Hydrostatic Test Report				01	12/06/06	12/06/06	0/00/00
Tank Data Required							
* Tank Drawing				01	12/06/06	12/06/06	0/00/00

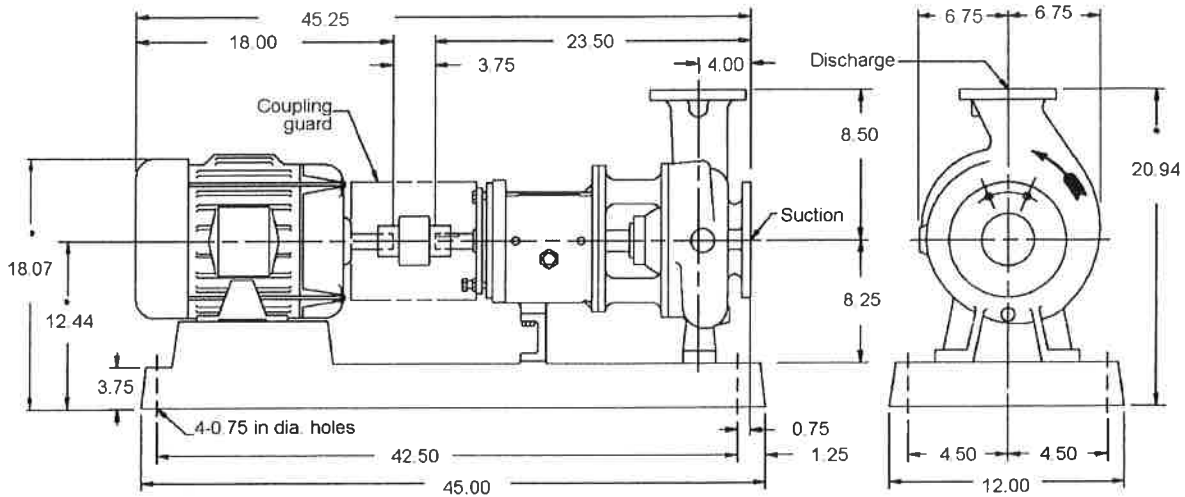
(\*) Denotes Documents in this Submittal.

Your complete Approval is required before order is scheduled and released to manufacturing. Please forward Approval by / /

The above literature is for your information and records. It does not require your approval. Retain literature as your final distribution.

Note: Any Changes may affect Quoted Price and Shipping Details.

06018  
 CIE: ETHANOL  
 RECEIVED DEC 13 2006  
 171 PC-4208  
 File: 0180013062



**Pump specification**

SUCT.FLANGE SIZE	2"	DRILLING	ANSI 150#	FACING	FF	FINISH	SERRATED
DISCH.FLANGE SIZE	1"	DRILLING	ANSI 150#	FACING	FF	FINISH	SERRATED
PUMP ROTATION (LOOKING AT PUMP FROM MOTOR)	CW						
TYPE OF LUBRICATION	FLOOD OIL					COOLED	NO
TYPE OF STUFFING BOX	TAPER BORE PLUS WITH VPE					COOLED	NO
TYPE OF SEALING	MECHANICAL SEAL						

**Weights and Measurements**

PUMP	220.0 lb
MOTOR/CPLG	140.0/4.4 lb
BASEPLATE	105.0 lb
TOTAL	469.4 lb
GR.VOLUME w/BOX	14.5 ft <sup>3</sup>
GR.WEIGHT w/BOX	542.4 lb

**Motor specification**

MOTOR BY	PUMP MFG	MOUNT BY	PUMP MFG	MFG.	RELIANCE
FRAME	213T	POWER	7.5 hp	RPM	1800
PHASE	3	FREQUENCY	60 HZ	VOLTS	460
INSULATION	F	S.F.	1.15		
ENCLOSURE	FCXP-XEXCLASS 1 DIV 1 (CLASS 1 GRP D CLASS 2 GRPS F&G) T3C				

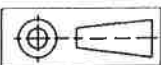
**Notes and References**

- MTR DIMENSIONS ARE APPROXIMATE
  - INSTALL FOUNDATION BOLTS IN PIPE SLEEVES
  - ALLOW FROM 0.75 TO 1.50in. FOR GROUTING. SEE INSTRUCTION BOOK FOR DETAILS.
  - \*Tolerance is +0 -0.5
  - DISCHARGE FLANGE HAS 4-1/2-13 UNC TAPPED HOLES
- FOR PUMP TAPPED OPENINGS REFER TO DWG: A729520T

**Auxiliary specification**

COUPLING BY	PUMP MFG	CPLG TYPE	REXNORD OMEGA REX ELASTOMER- ES-3 (STANDA
CPL GUARD BY	PUMP MFG.	CPLG GUARD MATL	CARBON STEEL
BASEPLATE	CAST IRON CAMBER TOP B00049A (*)		
MECH.SEAL	JOHN CRANE - 5620PR - X(18)O(58)1X(18)O(58)H / XF(55)1XO(58)H		

(\*) Baseplate is sized to accommodate 213T/215T future motor size



All dimensions are in inches.  
Drawing is not to scale  
Weights (lbs) are approximate

DIMENSIONS ARE CERTIFIED FOR CONSTRUCTION BY:

**Joyce Sutterby**

DATE December 6, 2006

Customer: LURGI PSI, INC.  
Goulds Serial No: 729F520  
Customer P.O. No: 6018-70901  
Item No: PC-4208  
Service: 2ND EFFECT SYRUP PUMP  
End User: CENTRAL ILLINOIS ENERGY L.L.C.  
Project No: 2003-01  
Location: CANTON, ILLINOIS

**DRAWING NO** A7295200

**Rev. 0** Date: December 6, 2006

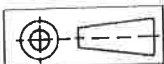
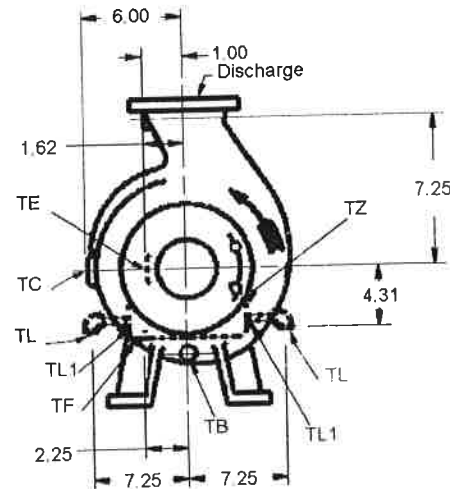
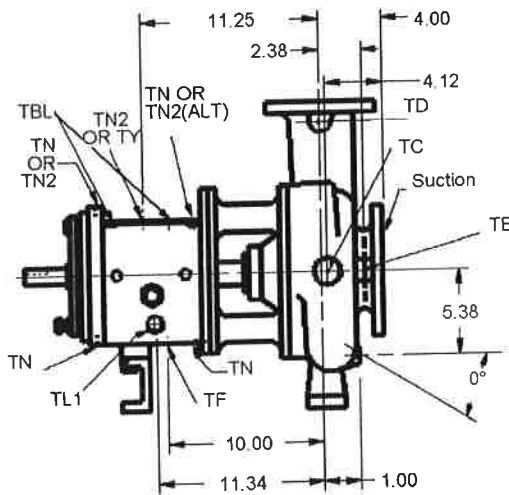
SUPERSEDES ANY PREVIOUS DRAWINGS

**GOULDS PUMPS TAPPED OPENINGS Model 3196 MTX Size 1x2-10**



TAPPED OPENINGS MODEL 3196 MTX 1x2-10 A.N.S.I NO. A05

NO.	SIZE	QTY.	PURPOSE	FURNISHED		NO.	SIZE	QTY.	PURPOSE	FURNISHED	
				YES/NO						YES/NO	
TB	1/2	1	CASING DRAIN	YES		TL1	---	2	FRAME COOLER ACCESS	YES	
TC	1/2	1	BY-PASS CONNECTION	NO		TN	1/4	4	GREASE FITTING	YES	
TD	3/8	1	DISCH. GAUGE CONNECTION	NO		TN2	1/4	2	OIL MIST INJECTION PORT	YES	
TE	3/8	1	SUCTION GAUGE CONNECTION	NO		TY	1/2	1	OIL FILL	YES	
TF	3/8	1	BEARING FRAME DRAIN	YES		TZ	1/4	1	BOTTLE OILER CONN.	YES	
TL	1/2	2	FRAME COOLING CONNECTION	NO		TBL	1/4	2	VIB./TEMP. CONN.	YES	



All dimensions are in inches.  
Drawing is not to scale

DIMENSIONS ARE CERTIFIED FOR CONSTRUCTION BY:

**Joyce Sutterby**

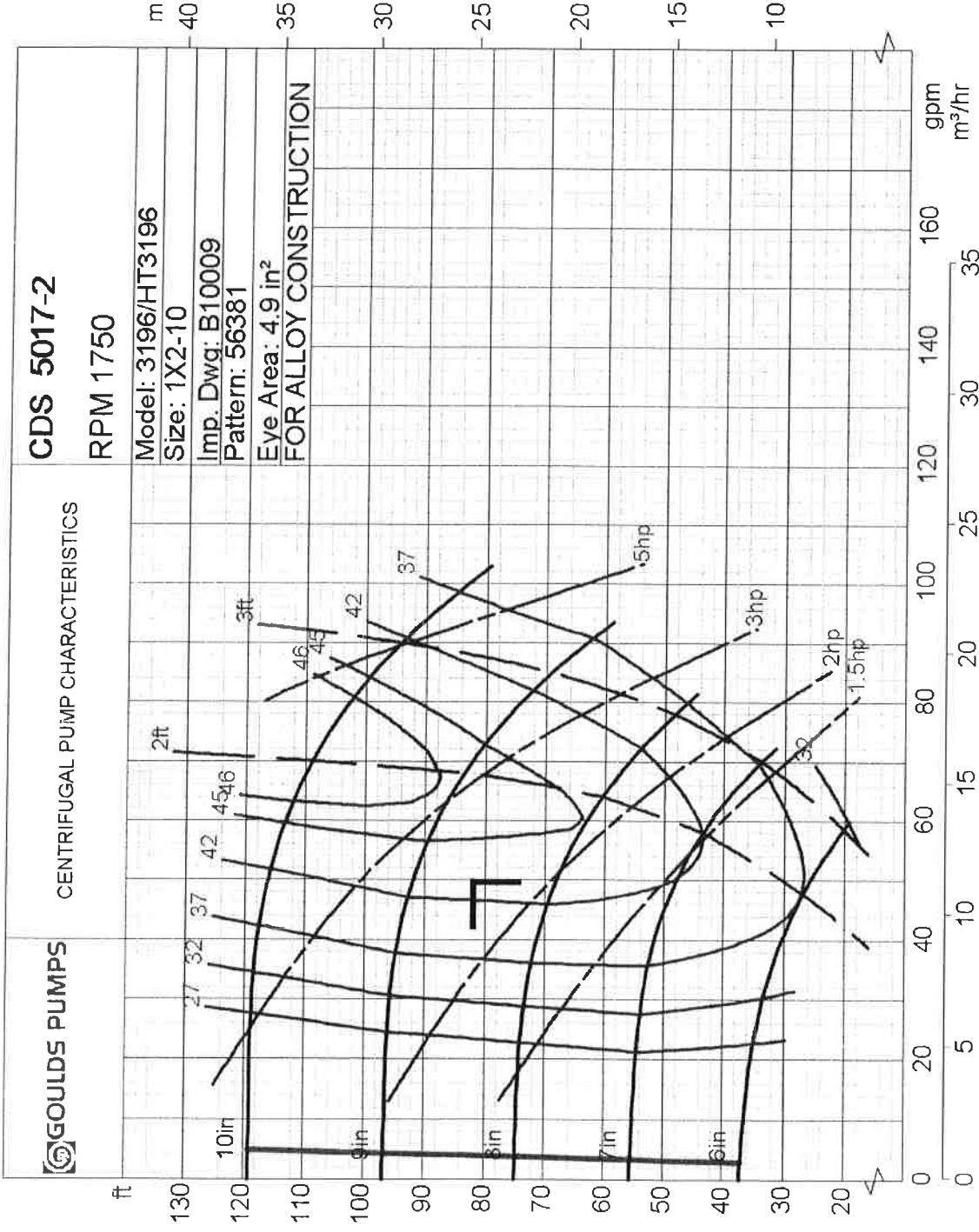
DATE December 6, 2006

Customer: LURGI PSI, INC.  
Goulds Serial No: 729F520  
Customer P.O. No: 6018-70901  
Item No: PC-4208  
Service: 2ND EFFECT SYRUP PUMP  
End User: CENTRAL ILLINOIS ENERGY L.L.C.  
Project No: 2003-01  
Location: CANTON, ILLINOIS

**DRAWING NO** A729520T

**Rev. 0** Date: December 6, 2006

**SUPERSEDES ANY PREVIOUS DRAWINGS**



Customer: LURGI PSI, INC.  
 Goulds Serial No: 729F520  
 Customer P.O. No: 6018-70901  
 Item No: PC-4208  
 Service: 2ND EFFECT SYRUP PUMP  
 End User: CENTRAL ILLINOIS ENERGY L.L.C.  
 Project No: 2003-01  
 Location: CANTON, ILLINOIS

Rated Flow: 50.0 gpm  
 Rated TDH: 60.0 ft  
 Imp. Diam.: 8.6250 in  
 Certified By: Andrew Young

