

06018
CENTRAL ILLINOIS
ETHANOL PLANT
CANTON, ILLINOIS

CROSS REFERENCE FILE FORM

EQUIPMENT TAG NUMBER:	PC-4303
INFORMATION/DRAWINGS FILED WITH TAG NUMBER:	PC-2101

Model: 3196 Size: 1.5X3-10 Group: MTX 60Hz RPM: 1750 Stages: 1

03918

CIE: ETHANOL
Canton, Illinois

RECEIVED SEP 05 2006

Date: 09/01/2006

PC-4303

OR0002058

Job/Inq.No. :
Purchaser :
End User :
Item/Equip.No. : PC-4303
Service : Regen. condensate pump
Order No. :

Issued by : JANE LAMANNA
Quotation No. : JL06-06-30 01

Operating Conditions

Liquid: Regen cond.
Temp.: 120.0 deg F
S.G./Visc.: 0.930/0.550 cp
Flow: 100.0 gpm
TDH: 60.0 ft
NPSHa:
Solid size:
% Solids:

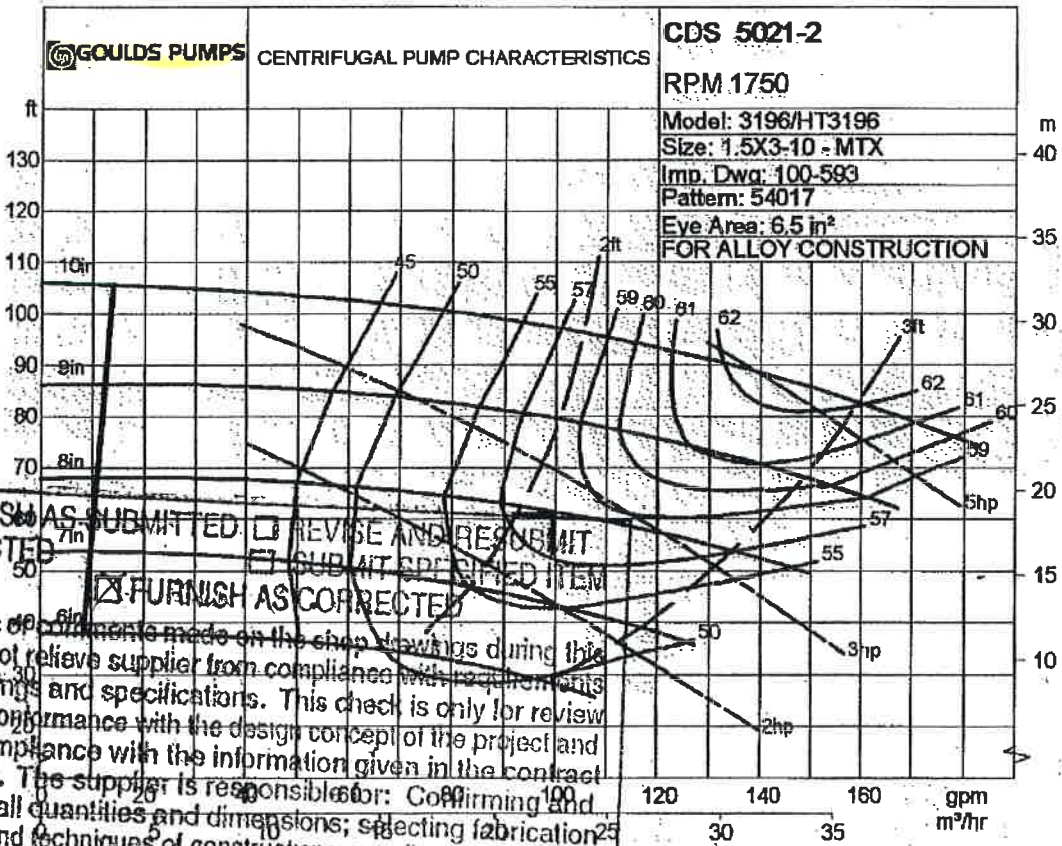
Pump Performance

Actual Pump Eff.: 58.0 %
Actual Pump Power: 2.5 hp
Total Power Loss: 0.00 hp
Rated Total Power: 2.5 hp
Imp. Dia. First 1 Stg(s): 8.0000 in
NPSHr: 2.1 ft
Shut off Head: 67.9 ft
Vapor Press:
Suction Specific Speed: 10,432 gpm(US) ft
Min. Hydraulic Flow: 11.2 gpm
Min. Thermal Flow: N/A
Non-Overloading Power: 3.2 hp

5hp
18AT

Max. Solids Size: 0.2190 in

Notes: 1. The Mechanical seal increased drag effect on power and efficiency is not included, unless the correction is shown in the appropriate field above. 2. Magnetic drive eddy current and viscous effect on power and efficiency is not included. 3. Elevated temperature effects on performance are not included. 4. Non Overloading power does not reflect v-belt/gear losses.



FURNISH AS SUBMITTED REVISE AND RESUBMIT
 REJECTED SUBMIT SPECIFIED ITEM
 FURNISH AS CORRECTED

Corrections of comments made on the shop drawings during this review do not relieve supplier from compliance with requirements of the drawings and specifications. This check is only for review of general compliance with the design concept of the project and general compliance with the information given in the contract documents. The supplier is responsible for: Confirming and correlating all quantities and dimensions; selecting fabrication processes and techniques of construction; coordinating his work with that of all other trades; and performing his work in a safe and satisfactory manner.

Lurgi PSI, INC.
MEMPHIS, TN

Date 9/8/06 By Duto P... ITT

AREA CLASSIFICATION:
For Pump/Motor is:
CL I, Div. 2, Group D



SUPPLIER DOCUMENTS INDEX

FIELD FILE

TO: LURGI PSI INC ATTN: JADWIGA MILLER 1790 KIRBY PARKWAY MEMPHIS, TN 38138	SERIAL NO.: 729F521 CUSTOMER: LURGI PSI INC P.O. NO.: 6018-70901 PUMP ITEM NO.: FC-4303 END USER : CENTRAL ILLINOIS ENERGY, L.L.C. PROJECT # : 2003-01 LOCATION : CANTON, ILLINOIS	SUPPLIER INFORMATION : GOULDS PUMPS, INC. 240 FALL STREET SENECA FALLS, NY, 13148 CONTRACT ADMINISTRATOR: Carl Sangiacomo CONTRACT MANAGER: Dave Spruill DATE: 12/06/06 MAILED VIA: ups ground	/ ORDER: 566323	REVIEW QTY.	FINAL QTY.	DATE APPROVED	SUB#	DUE DATE	SUBMIT DATE	RETURN DATE	REF. CODE
Pump Documents Required * Pump Outline * Tapped Openings * Pump CDS Curve * Cross Sectional * 3196 Pump Instruction Manuals				6P	0/00/00	01	12/06/06	12/06/06	12/06/06	0/00/00	
Seal Documents Required * Seal Drawing				6P	0/00/00	01	12/06/06	12/06/06	12/06/06	0/00/00	
Motor Documents Required * Motor Outline * Motor Wiring Diagram * Motor Electrical/Performance * Motor Instructions-(Reliance)				6P	0/00/00	01	12/06/06	12/06/06	12/06/06	0/00/00	
Q.A. Documents Required * Comp. Hydrostatic Test Report				6P	0/00/00	01	12/06/06	12/06/06	12/06/06	0/00/00	

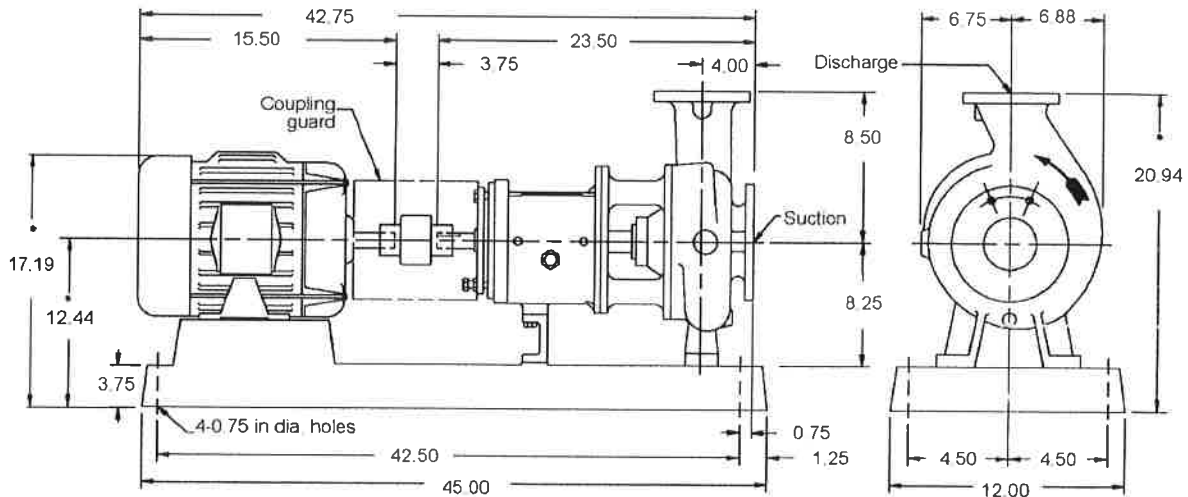
06018
 CIE: ETHANOL
 Canton, Illinois
 RECEIVED DEC 1 2006
 17-1 PC-4303
 0180013063

(*) Denotes Documents in this Submittal.

Your complete Approval is required before order is scheduled and released to manufacturing. Please forward Approval by / /

The above literature is for your information and records. It does not require your approval. Retain literature as your final distribution.

Note: Any Changes may affect Quoted Price and Shipping Details.



Pump specification

SUCT.FLANGE SIZE	3"	DRILLING	ANSI 150#	FACING	FF	FINISH	SERRATED
DISCH.FLANGE SIZE	1.5"	DRILLING	ANSI 150#	FACING	FF	FINISH	SERRATED
PUMP ROTATION (LOOKING AT PUMP FROM MOTOR)	CW						
TYPE OF LUBRICATION	FLOOD OIL					COOLED	NO
TYPE OF STUFFING BOX	TAPER BORE PLUS WITH VPE					COOLED	NO
TYPE OF SEALING	MECHANICAL SEAL						

Weights and Measurements

PUMP	240.0 lb
MOTOR/CPLG	95.0/2.0 lb
BASEPLATE	105.0 lb
TOTAL	442.0 lb
GR.VOLUME w/BOX	14.5 ft ³
GR.WEIGHT w/BOX	515.0 lb

Motor specification

MOTOR BY	PUMP MFG	MOUNT BY	PUMP MFG	MFG.	RELIANCE
FRAME	184T	POWER	5.0 hp	RPM	1800
PHASE	3	FREQUENCY	60 HZ	VOLTS	230/460
INSULATION	F	S.F.	1.15		
ENCLOSURE	FCXP-XEXCLASS 1, GRP D, CLASS 2, GRP F&G T3C				

Notes and References

- MTR DIMENSIONS ARE APPROXIMATE
- INSTALL FOUNDATION BOLTS IN PIPE SLEEVES
- ALLOW FROM 0.75 to 1.50in. FOR GROUTING. SEE INSTRUCTION BOOK FOR DETAILS.

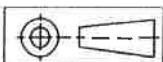
*Tolerance is +0 -0.5

FOR PUMP TAPPED OPENINGS REFER TO DWG.: A729521T

Auxiliary specification

COUPLING BY	PUMP MFG	CPLG TYPE	REXNORD OMEGA REX ELASTOMER- ES-2 (STANDA
CPL GUARD BY	PUMP MFG.	CPLG GUARD MATL	CARBON STEEL
BASEPLATE	CAST IRON CAMBER TOP B00049A (*)		
MECH.SEAL	JOHN CRANE - 5610Q - O(28)F(55)1O(28)O(58)H		

(*) Baseplate is sized to accommodate 213T/215T future motor size



All dimensions are in inches.
Drawing is not to scale
Weights (lbs) are approximate

DIMENSIONS ARE CERTIFIED FOR CONSTRUCTION BY:

Joyce Sutterby

DATE December 6, 2006

Customer: LURGI PSI, INC.
Goulds Serial No: 729F521
Customer P.O. No: 6018-70901
Item No: PC-4303
Service: REGEN CONDENSATE
End User: CENTRAL ILLINOIS ENERGY L.L.C.
Project No: 2003-01
Location: CANTON, ILLINOIS

DRAWING NO A7295210

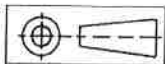
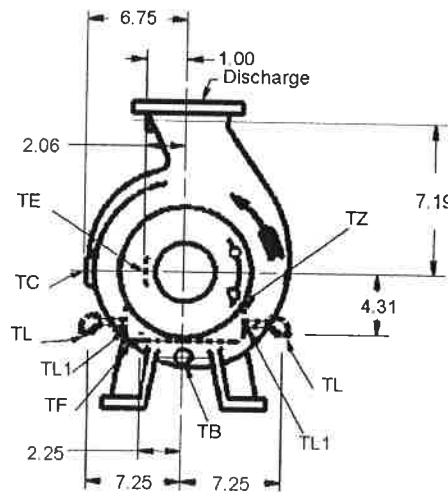
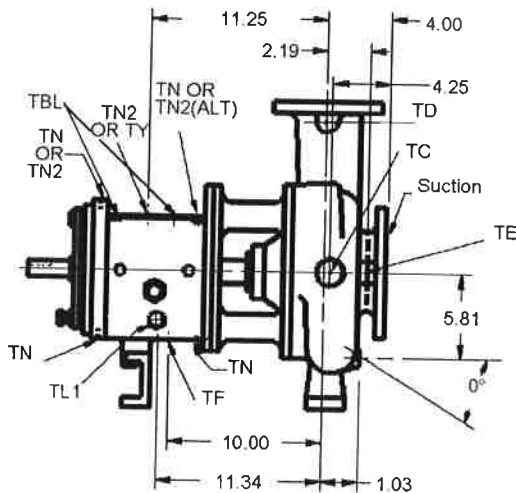
Rev. 0

Date: December 6, 2006

SUPERSEDES ANY PREVIOUS DRAWINGS

TAPPED OPENINGS MODEL 3196 MTX 1.5x3-10 A.N.S.I NO. A50

NO.	SIZE	QTY.	PURPOSE	FURNISHED		NO.	SIZE	QTY.	PURPOSE	FURNISHED	
				YES/NO						YES/NO	
TB	1/2	1	CASING DRAIN	YES		TL1	---	2	FRAME COOLER ACCESS	YES	
TC	1/2	1	BY-PASS CONNECTION	NO		TN	1/4	4	GREASE FITTING	YES	
TD	3/8	1	DISCH. GAUGE CONNECTION	NO		TN2	1/4	2	OIL MIST INJECTION PORT	YES	
TE	3/8	1	SUCTION GAUGE CONNECTION	NO		TY	1/2	1	OIL FILL	YES	
TF	3/8	1	BEARING FRAME DRAIN	YES		TZ	1/4	1	BOTTLE OILER CONN.	YES	
TL	1/2	2	FRAME COOLING CONNECTION	NO		TBL	1/4	2	VIB./TEMP. CONN.	YES	

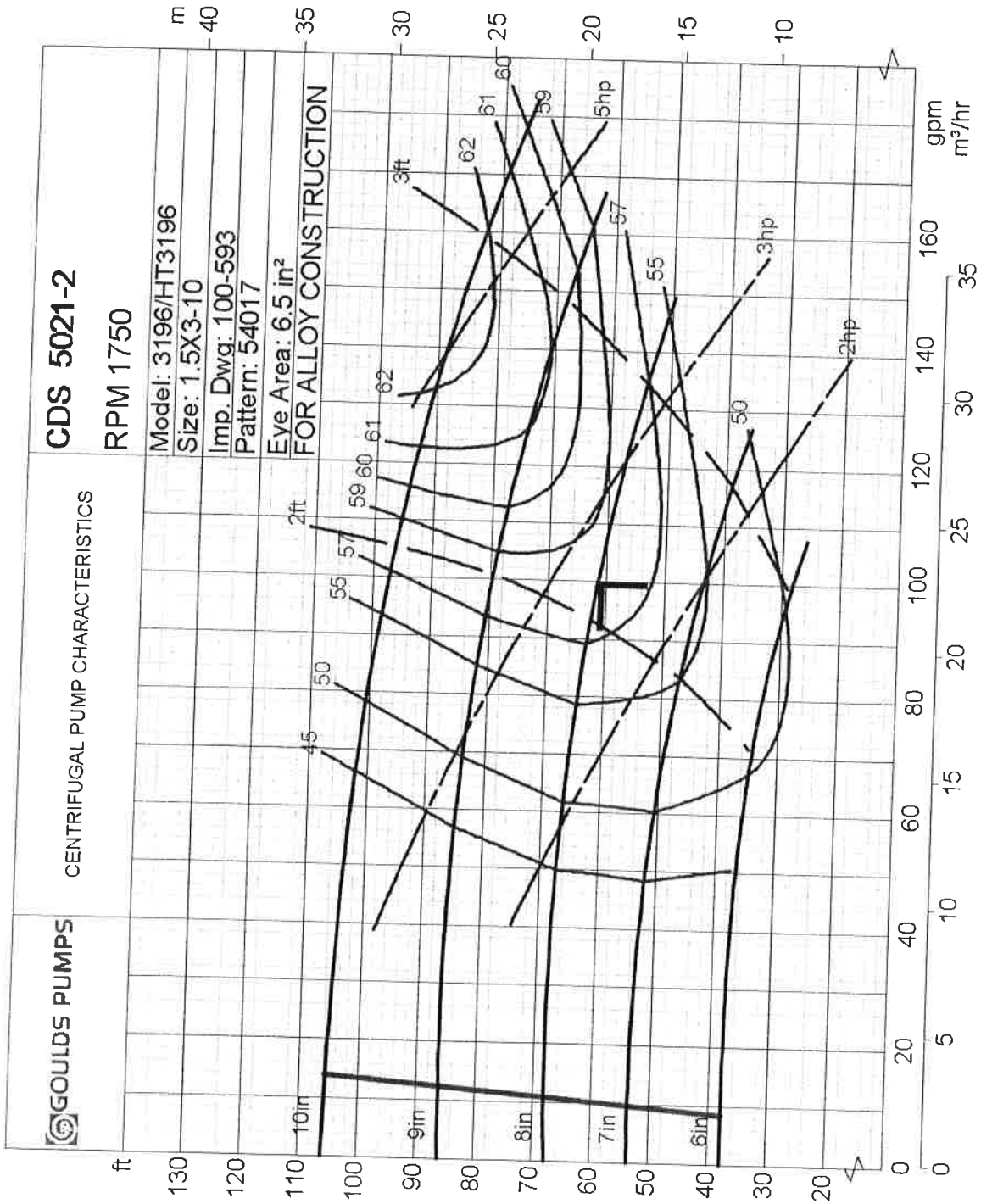


All dimensions are in inches.
 Drawing is not to scale

DIMENSIONS ARE CERTIFIED FOR CONSTRUCTION BY:
Joyce Sutterby DATE December 6, 2006

Customer: LURGI PSI, INC.
 Goulds Serial No: 729F521
 Customer P.O. No: 6018-70901
 Item No: PC-4303
 Service: REGEN CONDENSATE
 End User: CENTRAL ILLINOIS ENERGY L.L.C.
 Project No: 2003-01
 Location: CANTON, ILLINOIS

DRAWING NO A729521T **Rev. 0** Date: December 6, 2006
 SUPERSEDES ANY PREVIOUS DRAWINGS



Rated Flow: 100.0 gpm
 Rated TDH: 60.0 ft
 Imp. Diam.: 8.0000 in
 Certified By: Andrew Young

Customer: LURGT PSI, INC
 Goulds Serial No: 729F521
 Customer P.O. No: 6018-70901
 Item No: PC-4303
 Service: REGEN CONDENSATE
 End User: CENTRAL ILLINOIS ENERGY L.L.C
 Project No: 2003-01
 Location: CANTON, ILLINOIS

