

06018
CENTRAL ILLINOIS
ETHANOL PLANT
CANTON, ILLINOIS

CROSS REFERENCE FILE FORM

EQUIPMENT TAG NUMBER:	PC-8204
INFORMATION/DRAWINGS FILED WITH TAG NUMBER:	PC-2101

SUPPLIER DOCUMENTS INDEX

TO: LONGI PBI INC

ATTN: JUDWYGA MILLER
1790 KIRBY PARKWAY
MEMPHIS, TN 38138

SERIAL NO.: 258C318
CUSTOMER: LONGI PBI INC / ORDER: 566188
P.O. NO.: 6018-70750
PUMP ITEM NO.: PC-8204
SERVICE: ETHANOL LOADOUT PUMP
END USER : CENTRAL ILLINOIS ENERGY, L.L.C.
PROJECT# : 2003-01
LOCATION# : CANTON, ILLINOIS

SUPPLIER INFORMATION: GOULDS PUMPS, INC.
240 FALL STREET
SHERBOURNE FALLS, NY 13148
CONTRACT ADMINISTRATOR: CARL SAUGIACOMO
CONTRACT MANAGER: Dave Spruill
DATE: 1/03/07
MAILED VIA: REGULAR MAIL

PAGE: 1

SUPPLIER DOCUMENT TITLE	SUPPLIER DOC. # / REVISION NO.	REVIEW CRT.	FINAL CRT.	DATE APPROVED	SDB#	DUPLICATE DATE	SUBMIT DATE	RETURN DATE	REF. CODE
Pump Documents Required			GP	0/00/00	01	12/18/06	12/12/06	1/03/07	CS
* Pump Outline			GP	0/00/00	02	1/05/07	1/03/07	0/00/00	
Tapped Openings			GP	0/00/00	01	12/18/06	12/12/06	0/00/00	
Pump CGS Curve			GP	0/00/00	01	12/18/06	12/12/06	0/00/00	
Cross Sectional			GP	0/00/00	01	12/18/06	12/12/06	0/00/00	
3160 Pump Instruction Manuals			GP	0/00/00	01	12/06/06	12/06/06	0/00/00	
Seal Documents Required			GP	0/00/00	01	12/18/06	12/12/06	0/00/00	
Seal Drawing			GP	0/00/00	01	12/28/06	12/18/06	0/00/00	
Motor Documents Required			GP	0/00/00	01	12/28/06	12/18/06	0/00/00	
Motor Outline			GP	0/00/00	01	12/28/06	12/18/06	0/00/00	
Motor Wiring Diagram			GP	0/00/00	01	12/28/06	12/18/06	0/00/00	
Motor Electrical/Performance			GP	0/00/00	01	12/28/06	12/18/06	0/00/00	
Motor Instructions-(Reliance)			GP	0/00/00	01	12/06/06	12/06/06	0/00/00	
O.A. Documents Required			GP	0/00/00	01	12/18/06	12/12/06	0/00/00	
Comp. Hydrostatic Test Report			GP	0/00/00	01	12/18/06	12/12/06	0/00/00	

(*) Denotes Documents In This Submittal.

Your Complete Approval is required before order is scheduled and released to manufacturing. Please forward Approval by / / .

** The above literature is for your information and records. It does not require your approval. Retain literature as your final distribution.

Note: Any Changes may affect Quoted Price and Shipping Details.

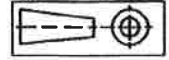
*** End of Report ***

FIELD FILE

06018
CIE-ETHANOL
RECEIVED JAN 04 2007
Sentor Illinois

File: PC 8204

0180013069



DATE: 01/03/2007
 Rev 0 - 1
 Suction Drawing: Weir, ANSI #
 Discharge Drawing: Weir, ANSI #

All dimensions are in inches.
 Drawing is not to scale.
 Weights (lbs) are approximate

DRAWING NO A2582180

Rev. 1 Date: January 3, 2007

Customer: LURGI PSI, INC.
 Goulds Serial No: 258218
 Customer P.O. No: 6018-70750
 Item No: PC-8204
 Service: ETHANOL LOADOUT PUMP
 End User: CENTRAL ILLINOIS ENERGY, L.L.C.
 Project No: 2003-01
 Location: CANTON, ILLINOIS

JOYCE SUTHERBY
 DIMENSIONS ARE CERTIFIED FOR CONSTRUCTION BY:
 DATE December 12, 2006

Auxiliary specification

CPLG TYPE	REXNORD OMEGA REX ELASTOMER-ES-50 STAND
CPLG GUARD BY	PUMP MFG.
CPLG GUARD MATL	STEEL
BASEPLATE	FABRICATED STEEL
MECH SEAL	JC 5610Q X(18)F(53)X(18)O(58)H

Motor specification

MOTOR BY	PUMP MFG	MOUNT BY	PUMP MFG	MFG.	RELIANCE
FRAME	449T	POWER	200.0 hp	RPM	1800
PHASE	3	FREQUENCY	60 HZ	VOLTS	460
INSULATION	F	S.F.	1.15		
ENCLOSURE	TEFC-XEX				

Notes and References

- MTR DIMENSIONS ARE APPROXIMATE
- INSTALL FOUNDATION BOLTS IN PIPE SLEEVES
- ALLOW FROM 0.75 to 1.50in. FOR GROUTING. SEE INSTRUCTION BOOK FOR DETAILS.
- Tolerance is +0 -0.50 in.

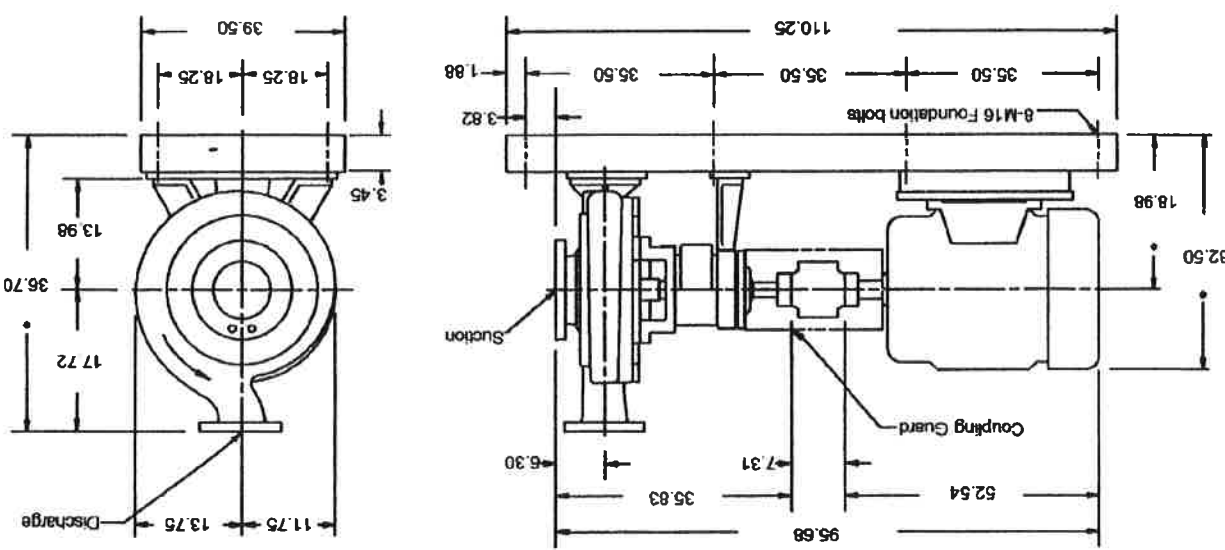
FOR PUMP TAPPED OPENINGS REFER TO DWG. A258218T

Pump specification

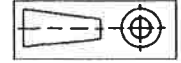
SUCT FLANGE SIZE	8"	DRILLING	ANSI # 125 FF	FACING	FINISH
DISCH FLANGE SIZE	4"	DRILLING	ANSI # 125 FF	FACING	FINISH
PUMP ROTATION	(LOOKING AT PUMP FROM MOTOR) CW				
TYPE OF LUBRICATION	FLOOD OIL				
TYPE OF STUFFING BOX	TAPER BORE PLUS WITH VPE				
TYPE OF SEALING	MECHANICAL SEAL				

Weights and Measurements

PUMP	700.0 LB
MOTOR/CPLG	2,550.0/60.0 LB
BASEPLATE	1,400.0 LB
TOTAL	4,710.0 LB
GR.VOLUME w/BOX	132.8 Ft ³
GR.WEIGHT w/BOX	5,374.0 LB



All dimensions are in inches.
Drawing is not to scale.

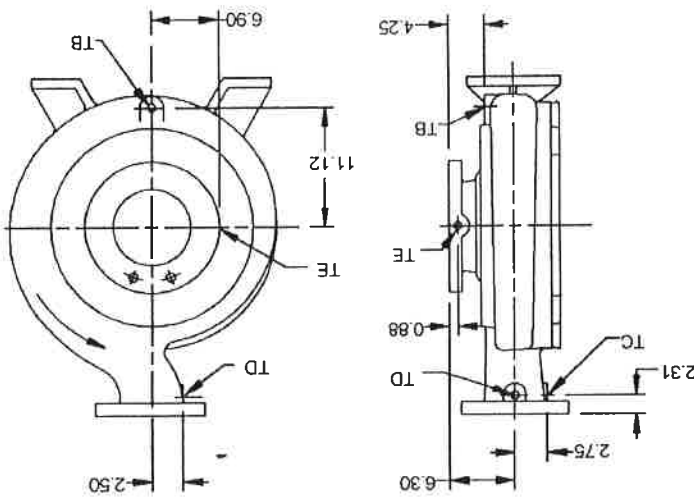
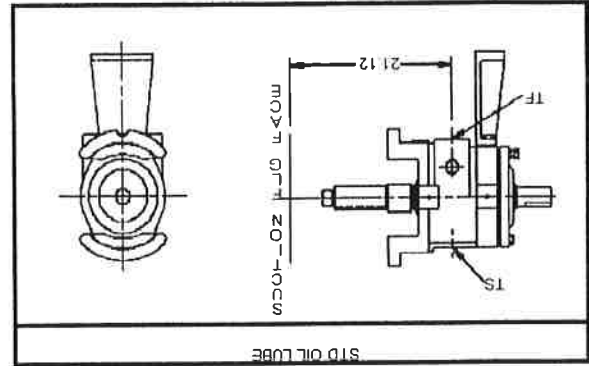


DRAWING NO A258218T **Rev. 0** Date: December 12, 2006

Customer: LURGI PSI, INC
Goulds Serial No: 258C218
Customer P.O. No: 6018-70750
Item No: PC-8204
Service: ETHANOL LOADOUT PUMP
End User: CENTRAL ILLINOIS ENERGY, L.L.C.
Project No: 2003-01
Location: CANTON, ILLINOIS

Joyce Sutterby
DATE December 12, 2006
DIMENSIONS ARE CERTIFIED FOR CONSTRUCTION BY:

*All casting tap locations have a tolerance of +0 -0.5



NO. SIZE QTY. PURPOSE		NO. SIZE QTY. PURPOSE		FURNISHED		FURNISHED	
TE	1/2	1	1/2	1	OIL FILL	YES	YES
TD	1/2	1	1/2	1	BEARING FRAME DRAIN	YES	YES
TC	1/2	1	1/2	1	OIL FILL	YES	YES
TB	3/4	1	1/2	1	BEARING FRAME DRAIN	YES	YES
TS	1/2	1	1/2	1	OIL FILL	YES	YES

TAPPED OPENINGS MODEL 3180 L 4x8-19





CENTRIFUGAL PUMP CHARACTERISTICS

CDS 4851-1

RPM 1780

Model: 3180/3185

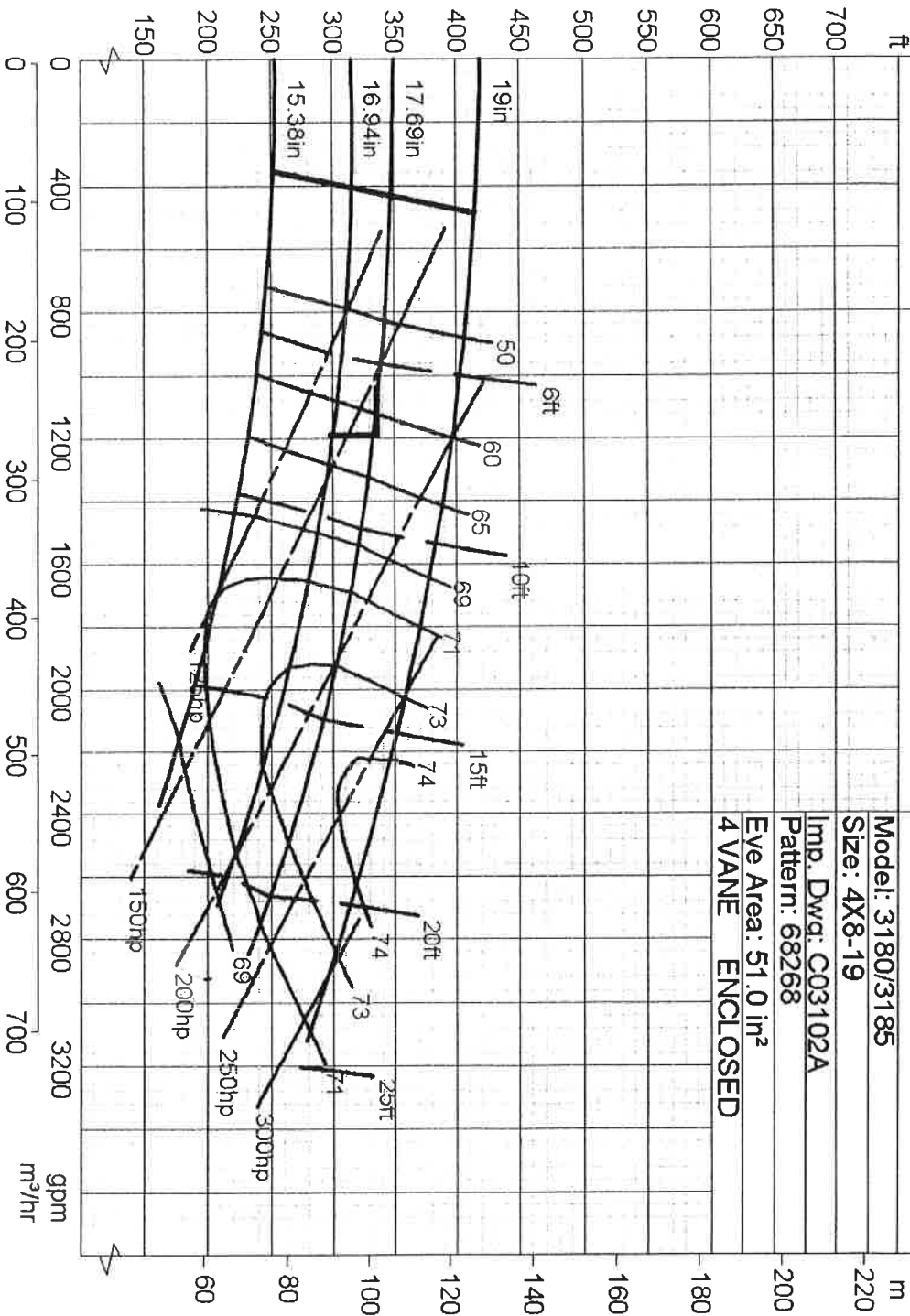
Size: 4X8-19

Imp. Dwg: C03102A

Pattern: 68268

Eye Area: 51.0 in²

4 VANE ENCLOSED



Rated Flow: 1,200.0 gpm
 Rated TDH: 338.0 ft
 Imp. Diam.: 17.8125 in
 Certified By: Joyce Sutterby

Customer: URGENT PSI, INC.
 Goulds Serial No: 2584718
 Customer P.O. No: 60181-0750
 Item No: RC-3204
 Service: ETHANOL LOADOUT PUMP
 End User: CENTRAL ILLINOIS ENERGY, LLC
 Project No: 2005-01
 Location: CANTON, ILLINOIS

