

06018
CENTRAL ILLINOIS
ETHANOL PLANT
CANTON, ILLINOIS

CROSS REFERENCE FILE FORM

EQUIPMENT TAG NUMBER:	PC-8205
INFORMATION/DRAWINGS FILED WITH TAG NUMBER:	PC-2101



SUPPLIER DOCUMENTS INDEX

SUPPLIER DOCUMENT TITLES	SUPPLIER DOC. # / REVISION NO.	REVIEW QTY.	FINAL QTY.	DATE APPROVED	SUB#	DUE DATE	SUBMIT DATE	RETURN DATE	RFT. CODE
NO: LDRGI PSI INC ATTN: JADWIGA MILLER 1790 KIRBY PARKWAY MEMPHIS, TN 38138 CC: KELLY GURENS LISA COMPTON									
SERIAL NO.: 729E502 CUSTOMER: LDRGI PSI INC P.O. NO.: 6018-70750 PUMP ITEM NO.: PC-8205 SERVICES: ORF SPEC PUMP END USER : CENTRAL ILLINOIS ENERGY, L.L.C. PROJECT# : 2003-01 LOCATION : CANTON, ILLINOIS									
SUPPLIER INFORMATION : GOLIUS PUMPS, INC. 240 PALM STREET SENECA FALLS, NY, 13148 CONTRACT ADMINISTRATOR: Carl Sauglicomo CONTRACT MANAGER: Dave Spruill DATE: 12/06/06 MAILED VIA: REGULAR MAIL									
Pump Documents Required									
* Pump Outline			6P	0/00/00	01	12/06/06	12/06/06	0/00/00	
* Tapped Openings			6P	0/00/00	01	12/06/06	12/06/06	0/00/00	
* Pump Variable Speed Curve			6P	0/00/00	01	12/06/06	12/06/06	0/00/00	
* Cross Sectional			6P	0/00/00	01	12/06/06	12/06/06	0/00/00	
* 3196 Pump Instruction Manuals			6P	0/00/00	01	12/06/06	12/06/06	0/00/00	
Seal Documents Required									
* Seal Drawing			6P	0/00/00	01	12/06/06	12/06/06	0/00/00	
Motor Documents Required									
* Motor Outline			6P	0/00/00	01	12/06/06	12/06/06	0/00/00	
* Motor Wiring Diagram			6P	0/00/00	01	12/06/06	12/06/06	0/00/00	
* Motor Electrical/Performance			6P	0/00/00	01	12/06/06	12/06/06	0/00/00	
* Motor Instructions-(Reliance)			6P	0/00/00	01	12/06/06	12/06/06	0/00/00	
Q.A. Documents Required									
* Comp. Hydrostatic Test Report			6P	0/00/00	01	12/06/06	12/06/06	0/00/00	

(*) Denotes Documents in this Submittal.

Your complete Approval is required before order is scheduled and released to manufacturing. Please forward Approval by / / .

The above literature is for your information and records. It does not require your approval. Retain literature as your final distribution.

Note: Any Changes may affect Quoted Price and Shipping Details.

FIELD FILE

RECEIVED DEC 19 2006

File: PC-8205

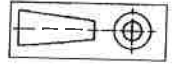
0180013037

CIE-ETHANNOI
Canton, Illinois

06018

*** End of Report ***

All dimensions are in inches.
Drawing is not to scale
Weights (lbs) are approximate



DRAWING NO A7295020 **Rev. 0**
Date: December 6, 2006
SUPERSEDES ANY PREVIOUS DRAWINGS

Customer: LURGI PSI INC
Goulds Serial No: 729F-602
Customer P.O. No: 6018-70750
Item No: P-C-8205
Service: OFF SPEC PUMP
End User: CENTRAL ILLINOIS ENERGY, L.L.C.
Project#: 2003-01
Location: CANTON, ILLINOIS

Andrew Young
DIMENSIONS ARE CERTIFIED FOR CONSTRUCTION BY:
DATE December 6, 2006

(*) Baseplate is sized to accommodate 213T/215T future motor size

Auxiliary specification

MECH SEAL JOHN CRANE - 5610Q -X(18)F(55)IX(18)O(58)H
BASEPLATE CAST IRON CAMBER TOP B00050A (*)
CPL GUARD BY PUMP MFG. CPLG GUARD MATL CARBON STEEL
COUPLING BY PUMP MFG. CPLG TYPE REXNORD OMEGA REX ELASTOMER-ES-3 (STANDA

Motor specification

FRAME	213T
POWER	7.5 hp
FREQUENCY	60 HZ
RPM	3600
MFG. RELIANCE	
MOTOR BY PUMP MFG	
MOUNT BY PUMP MFG	
INSULATION	F S.F. 1.15
ENCLOSURE	TEFC CLASS 1 DIV 2 (F1 GRP D) T3

Pump specification

SUCT. FLANGE SIZE 1.5"	DRILLING ANSI 150#	FACING FF	FINISH SERATED
DISCH. FLANGE SIZE 1"	DRILLING ANSI 150#	FACING FF	FINISH SERATED
PUMP ROTATION (LOOKING AT PUMP FROM MOTOR)	CW		
TYPE OF LUBRICATION	FLOOD OIL		
TYPE OF STUFFING BOX	TAPER BORE PLUS WITH AXIAL RIBS		
TYPE OF SEALING	MECHANICAL SEAL		

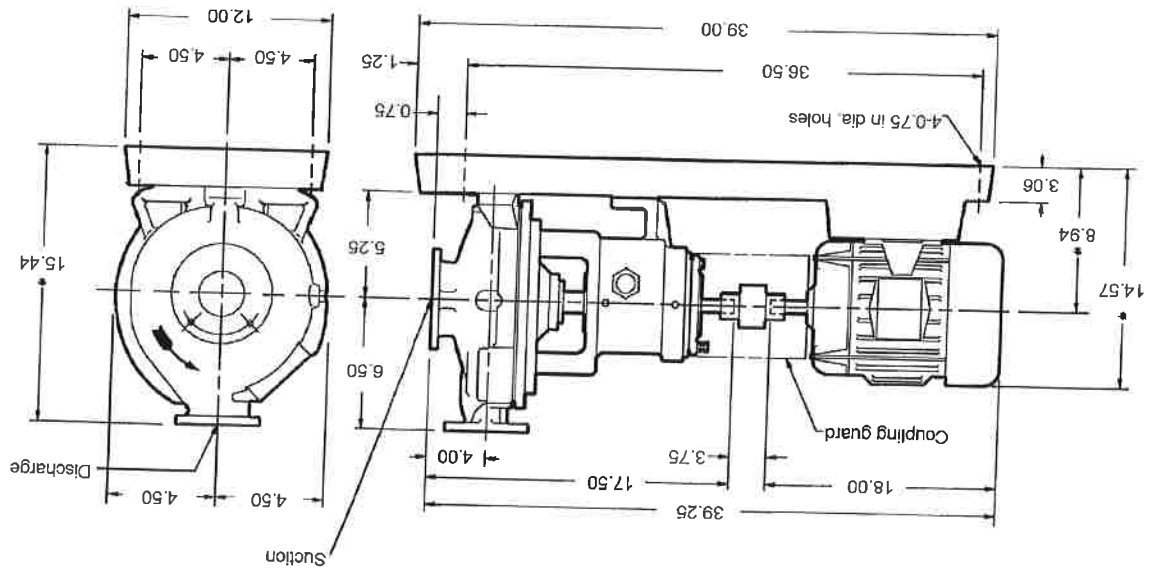
Notes and References

- MTR DIMENSIONS ARE APPROXIMATE
- INSTALL FOUNDATION BOLTS IN PIPE SLEEVES
- ALLOW FROM 0.76 to 1.50in. FOR GROUTING. SEE INSTRUCTION BOOK FOR DETAILS.
- Tolerance is -0.50 +0

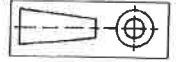
FOR PUMP TAPPED OPENINGS REFER TO DWG. A7295021

Weights and Measurements

PUMP	84.0 LB
MOTOR/CPLG	140.0 / 4.4 LB
BASEPLATE	80.0 LB
TOTAL	308.4 LB
GR. VOLUME w/BOX	9.4 FT ³
GR. WEIGHT w/BOX	355.4 LB



All dimensions are in inches.
Drawing is not to scale.



SUPERSEDES ANY PREVIOUS DRAWINGS

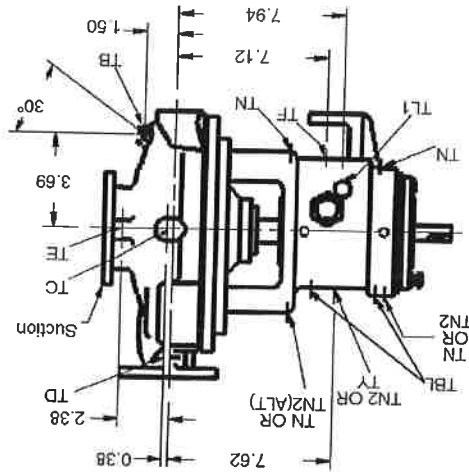
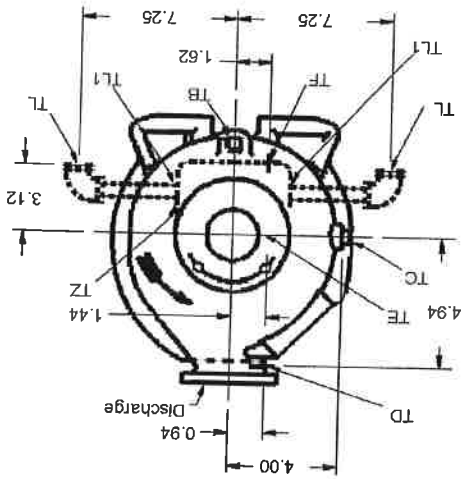
DRAWING NO A729502T **Rev. 0** Date: December 6, 2006

Customer: LURGI PSI INC
Goulds Serial No: 729F502
Customer P.O. No: 6018-70750
Item No: PC-8205
Service: OFF SPEC PUMP
End User: CENTRAL ILLINOIS ENERGY, L.L.C.
Project#: 2003-01
Location: CANTON, ILLINOIS

Andrew Young

DATE December 6, 2006

DIMENSIONS ARE CERTIFIED FOR CONSTRUCTION BY:



NO. SIZE QTY. PURPOSE		NO. SIZE QTY. PURPOSE		NO. SIZE QTY. PURPOSE		NO. SIZE QTY. PURPOSE	
FURNISHED		FURNISHED		FURNISHED		FURNISHED	
YES/NO	YES	YES	YES	YES	YES	YES	YES
1	1/2	1	1/4	2	---	2	VIB/TEMP. CONN.
CASING DRAIN		BY-PASS CONNECTION		GREASE FITTING		FRAME COOLER ACCESS	
1	1/4	1	1/4	4	1/4	2	OIL MIST INJECTION PORT
DISCH. GAUGE CONNECTION		NO	NO	NO	1/2	1	OIL FILL
1	1/4	NO	NO	NO	1/4	1	BOTTLE OILFR CONN.
SUCTION GAUGE CONNECTION		NO	NO	YES	1/4	2	VIB/TEMP. CONN.
1	1/4	NO	NO	YES	1/4	1	
1	3/8	NO	NO	YES	1/4	1	
BEARING FRAME DRAIN		YES	YES	NO	1/4	1	
1	1/2	NO	NO	NO	1/4	1	
FRAME COOLING CONNECTION		NO	NO	NO	1/4	1	
2	1/2	NO	NO	NO	1/4	1	
2	1/2	NO	NO	NO	1/4	1	
TL	1/2	NO	NO	NO	1/4	1	
TL	1/2	NO	NO	NO	1/4	1	

TAPPED OPENINGS MODEL 3196 STX 1X1.5-6 A.N.S.I. NO. AA

GOULDS PUMPS TAPPED OPENINGS Model 3196 STX Size 1x1.5-6

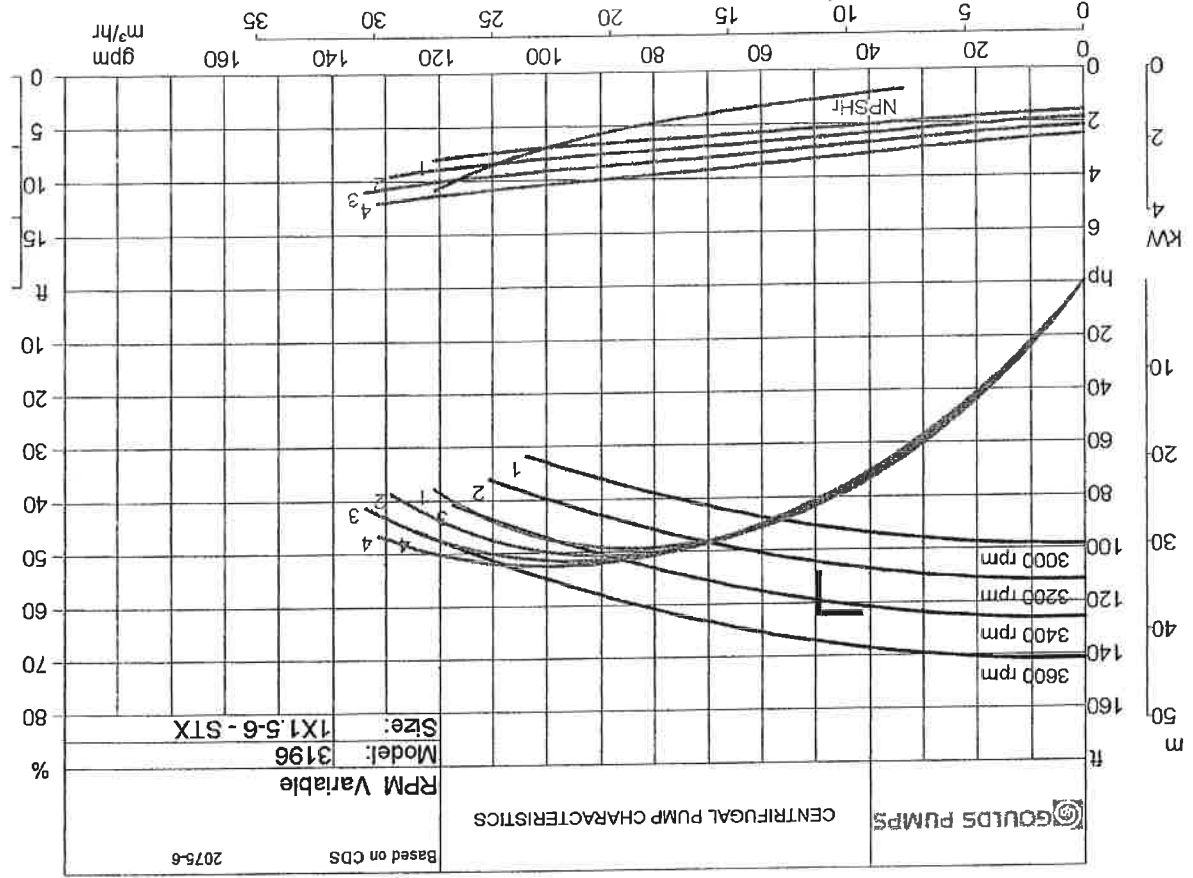


Model: 3196 **Size: 1x1.5-6** **Group: STX** **RPM Variable** **Stages: 1**

Job/Inq.No.: 6018-007/Central Illinois Energy LPSI
 Purchaser: LURGI PSI, INC.
 End User: Central Illinois Energy-Lurgi
 Issued by: Lisa Compton
 Item/Equip.No.: PC-8205 (Base Offer)
 Service: Off Spec Pump
 Order No.: 6018-70750
 Certified By:

Operating Conditions
 Liquid: Ethanol / Water
 Temp.: 85.0 deg F
 S.G./Visc.: 0.790/0.600 cp
 Flow: 50.0 gpm
 TDH: 125.0 ft
 NPSHa: 47.0 ft
 Solid size: % Solids:
 Max. Solids Size: 0.3440 in
 Vapor Press:
 Shut off Head: 133.9 ft
 NPSHr: 2.8 ft
 Non-Overloading Power: 4.2 hp

Pump Performance @ 3500 RPM
 Actual Pump Eff.: 40.5 %
 Suction Specific Speed: 8,121 gpm(US) ft
 Min. Hydraulic Flow: 9.2 gpm
 Min. Thermal Flow: N/A
 Actual Pump Power: 3.1 hp
 Total Power Loss: 0.37 hp
 Rated Total Power: 3.1 hp
 Imp. Dia. First 1 Stg(s): 5.500 in
 NPSHr: 2.8 ft
 Shut off Head: 133.9 ft



Notes: 1. Elevated temperature effects on performance are not included.

Customer: LURGI PSI INC
 Goulds Serial No.: 729F502
 Customer P.O. No.: 6018-70750
 Item No.: PC-8205
 Service: Off Spec Pump
 End User: CENTRAL ILLINOIS ENERGY, L.L.C.
 Project#: 2003-01
 Location: CANTON, ILLINOIS

