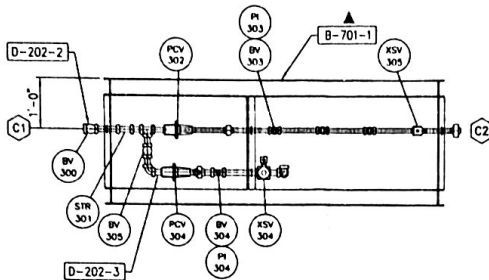
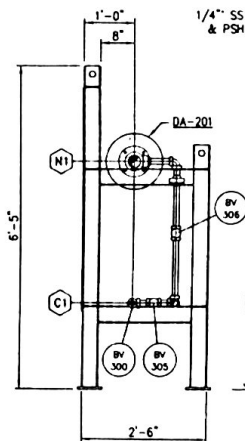
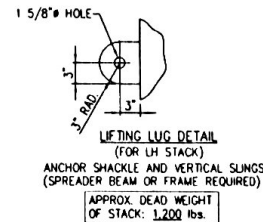
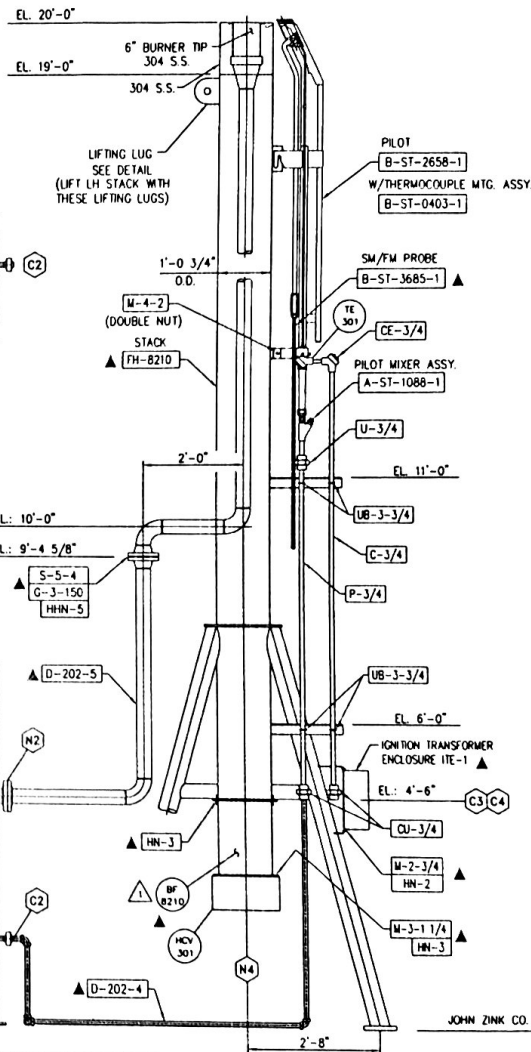


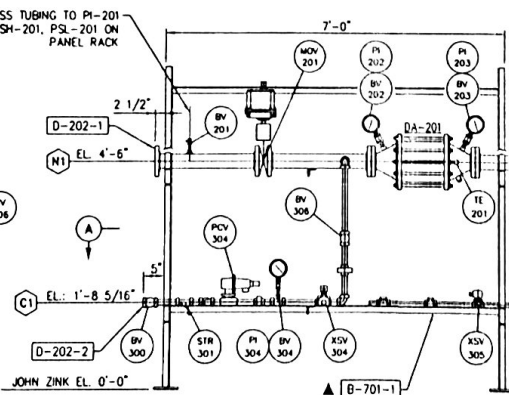
APPROX WEIGHT OF PANEL RACK: 1500 LBS.



SECTION A  
SCALE 3/4" = 1'-0"



ELEVATION VIEW  
(NOT TRUE ORIENTATION)



06018  
CIE: ETHANOL  
Canton, Illinois  
03.20.07

File: 17.1PK 8210  
0180035005

<p>This drawing and the information contained herein is of a confidential nature and the property of John Zink Company and shall not be copied, traced, photocopied, or reproduced in any manner nor used for any purpose whatsoever, without the written permission of John Zink Company. This drawing shall be returned to John Zink Company upon request. Copyright 2007, John Zink Company, LLC. All rights reserved.</p>									
FOR: LURCI, INC.					<p><b>JOHN ZINK</b> JOHN ZINK COMPANY LLC PARTS AND SERVICE, CALL 1-800-755-4252 FAX (815) 234-1968 GENERAL ARRANGEMENT</p>				
USER: CENTRAL ILLINOIS ENERGY					<p>ELEVATION VIEW MODEL: LHT-1-12-20-X-1/6</p>				
JOB SITE: CANTON, IL					<p>CONFIRMED DRAWING NUMBER B-VC-9063198-202</p>				
S.Q. NO. VC-9063198					<p>SCALE SHEET 2 OF 2</p>				
P.O. NO. 6018-70940					<p>DATE: 2-23-07</p>				
DR. UEBB DATE: 2-12-07					<p>DATE: 2-23-07</p>				
CR. TK DATE: 2-23-07					<p>DATE: 2-23-07</p>				
1 REVISED PER CUSTOMER COMMENTS					<p>DATE: 2-23-07</p>				
NO. REVISION DESCRIPTION					<p>DATE: 2-23-07</p>				