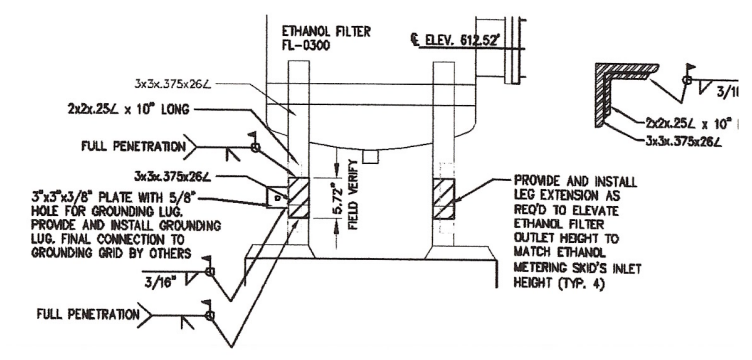
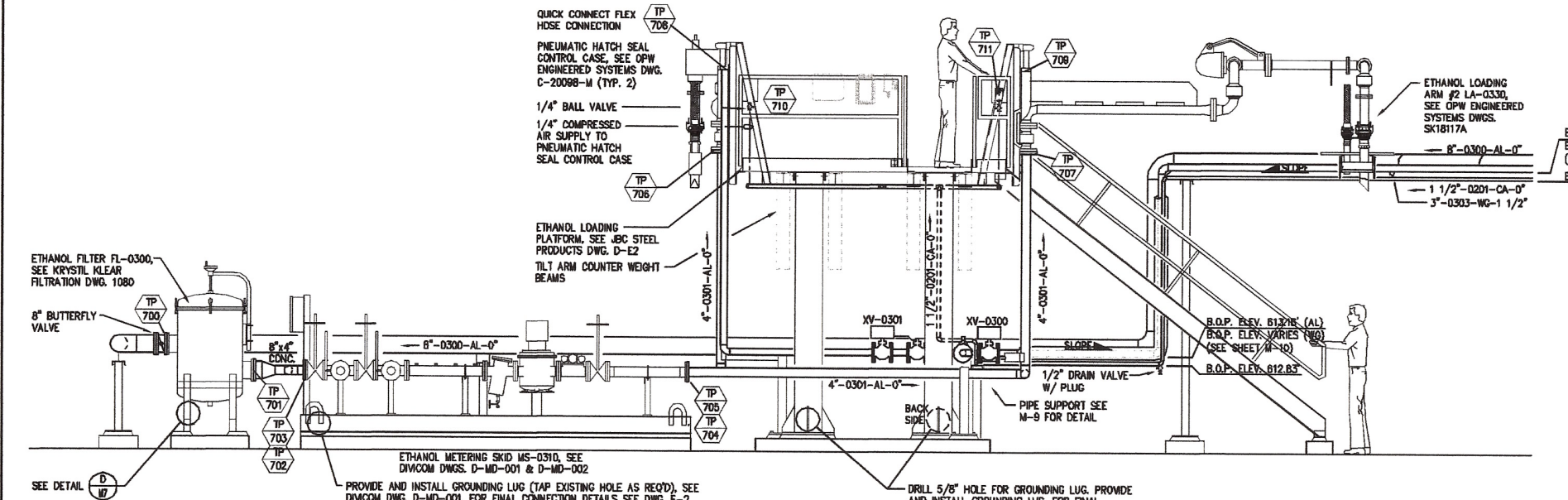


**C** DETAIL - PIPE SPACING  
SCALE: 1" = 1'-0"  
12" 0 1' 2'



**D** DETAIL - ETHANOL FILTER LEG EXTENSION  
SCALE: 1" = 1'-0"  
12" 0 1' 2'

**A** ETHANOL LOADOUT AREA - EQUIPMENT/ UTILITY/ PROCESS PIPING INSTALLATION  
SCALE: 3/8" = 1'-0"  
12" 0 1' 5' 10'



**B** ELEVATION - LOOKING WEST  
SCALE: 3/8" = 1'-0"  
12" 0 1' 5' 10'

THE POINT NO.	DESCRIPTION	PIPE SIZE	PIPING MATERIAL	CONNECTION TYPE	PROCESS FLOW RATE	PRESSURE	TEMP
08-0183 M-1							
T.P. # 4	ETHANOL LOADOUT	8"	CARBON STEEL	FLANGE	1,200 GPM	60 PSIG	70
T.P. # 8	COMPRESSED AIR	.75"	CARBON STEEL	THREADED	10 SCFM	110 PSIG	
T.P. # 28 D	NATURAL GAS	1.5"	CARBON STEEL	THREADED	54 SCFH	50 PSIG	
08-0183 M-7							
T.P. # 700	KRYSTAL KLEAR ETHANOL FILTER	8"	CARBON STEEL	CLASS 150 FLANGE	1,200 GPM	60 PSIG	70
T.P. # 701							
T.P. # 702, 704	DIVICOM ETHANOL METERING SKID	4"	CARBON STEEL	CLASS 150 FLANGE	500 GPM	60 PSIG	70
T.P. # 703, 705							
T.P. # 706	OPW SWIVEL LOADING ARM	4"	CARBON STEEL	CLASS 150 FLANGE	500 GPM	60 PSIG	70
T.P. # 707							
T.P. # 708	CONNECTION TO OPW WASTE GAS HOSE	3"	CARBON STEEL	MALE-ADAPTOR TO 3" AUTOLOCK	80 SCFM	18 IN H2O	
T.P. # 709					80 SCFM	18 IN H2O	
T.P. # 710							
T.P. # 711	AIR SUPPLY TO PNEUMATIC HATCH SEAL CONTROL CASE	1/4"	PLASTIC TUBING	COMPRESSION FITTING	5 SCFM	110 PSIG	
T.P. # 712					5 SCFM	110 PSIG	

NOTE: ALL DETAILS WILL BE AT 1/2 SCALE WHEN PRINTED ON 11x17 SHEET

THESE DRAWINGS ARE THE EXCLUSIVE PROPERTY OF INDUSTRIAL TECHNOLOGY GROUP. ANY MODIFICATIONS, USE OR REUSE OF THE INFORMATION CONTAINED ON THESE CAD FILES WITHOUT WRITTEN PERMISSION FROM INDUSTRIAL TECHNOLOGY GROUP SHALL BE AT THE PARTIES SOLE RISK AND IN DOING SO, THEY AGREE TO DEFEND, INDEMNIFY AND HOLD HARMLESS INDUSTRIAL TECHNOLOGY GROUP FROM ALL CLAIMS, INJURIES, DAMAGE, LOSS AND EXPENSES ARISING OUT OF ANY UNAUTHORIZED USE.

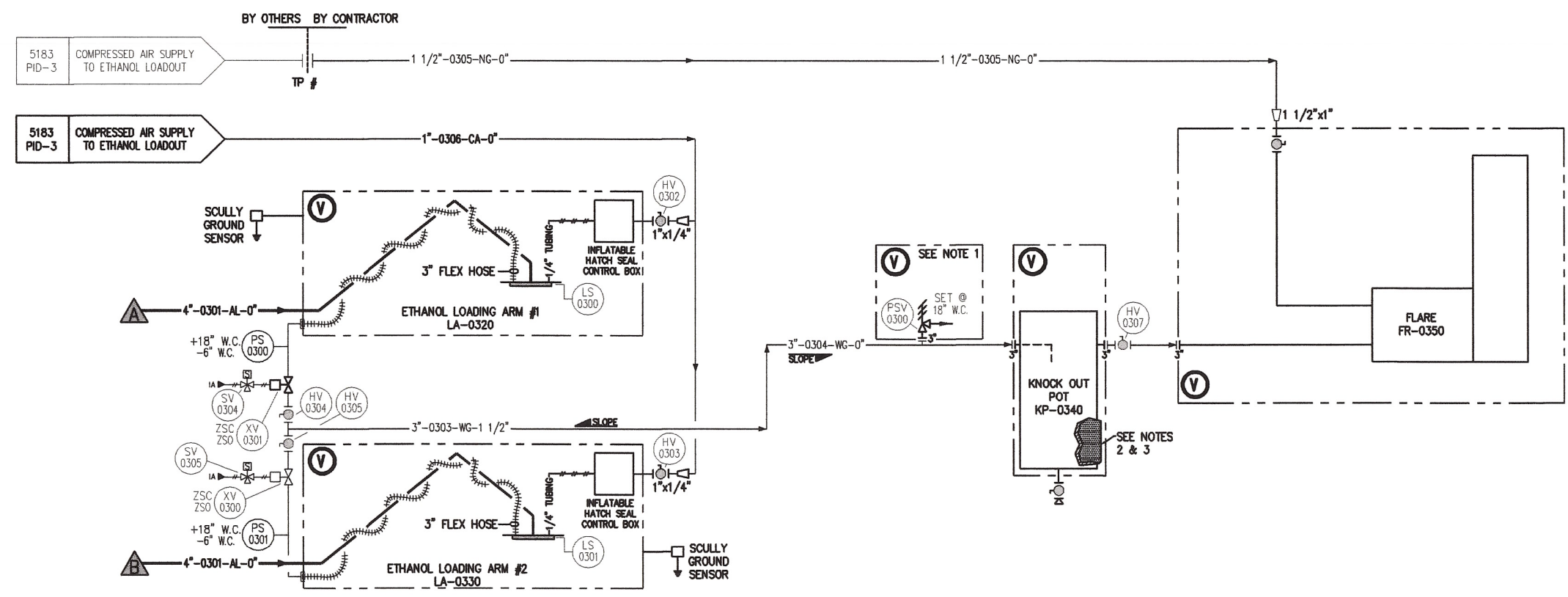
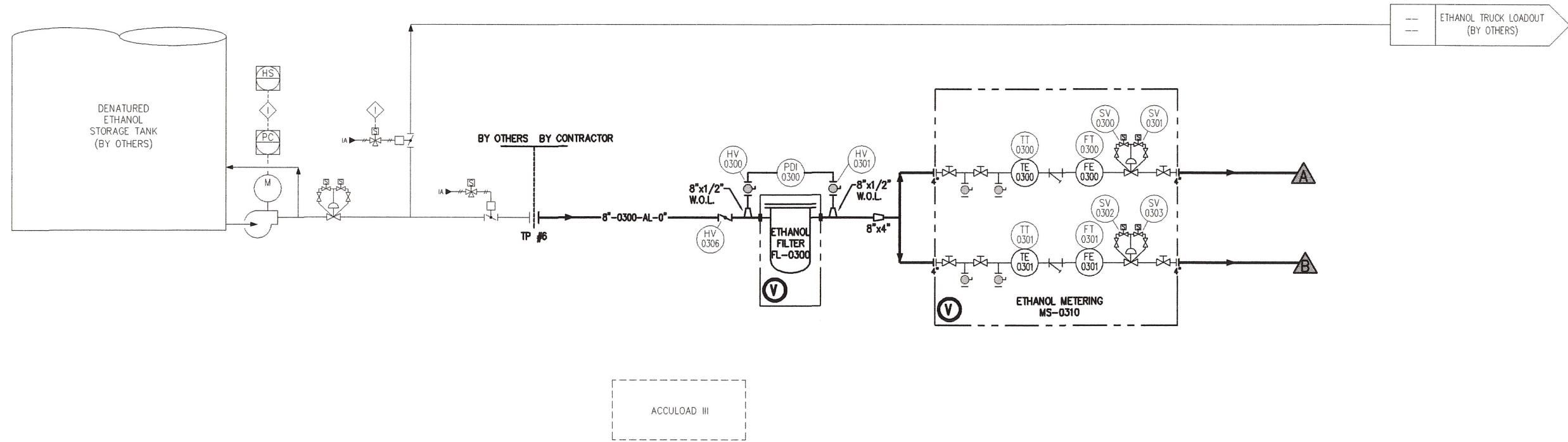
REVISIONS		
NO.	DATE	REMARKS
0	03/16/07	RELEASED FOR CONSTRUCTION

DESIGNED: KJD  
DRAFTED: NMK  
CHECKED: KBFD  
EXPIRES NOV. 30, 2007

**Industrial Technology Group**  
Henneman Engineering Inc.  
2603 Research Road  
Champaign, Illinois 61822-1079  
T 217.398.6280  
F 217.398.6286  
Email: ig@henneman.com  
Website: http://www.ig-henneman.com  
© 2005 Henneman Engineering Inc. / E. Reg. #04-2005-05 (01-01-07) (05-04-05-07)

**Central Illinois Energy**  
Pure Energy. Homegrown.

ETHANOL LOADOUT AREA - INSTALLATION  
ETHANOL RAIL LOADOUT/DDGS LOADOUT  
CENTRAL ILLINOIS ENERGY  
CANTON, ILLINOIS



- NOTES:
1. PSV SHALL BE SET 10'-0" ABOVE GRADE.
  2. HEAT TRACE BOTTOM FOOT OF KNOCK OUT POT (SPIRAL WITH 4" SPACING, ADHERE WITH ALUMINUM TAPE).
  3. INSULATE ENTIRE KNOCK OUT POT WITH 1 1/2" MINERAL WOOL WITH ALUMINUM JACKETING.

(V) INDICATES ITEM PROVIDED BY VENDOR

THESE DRAWINGS ARE THE EXCLUSIVE PROPERTY OF INDUSTRIAL TECHNOLOGY GROUP. ANY MODIFICATIONS, USE OR REUSE OF THE INFORMATION CONTAINED ON THESE CAD FILES WITHOUT WRITTEN PERMISSION FROM INDUSTRIAL TECHNOLOGY GROUP SHALL BE AT THE PARTIES' SOLE RISK AND IN DOING SO, THEY AGREE TO DEFEND, INDEMNIFY AND HOLD HARMLESS INDUSTRIAL TECHNOLOGY GROUP FROM ALL CLAIMS, INJURIES, DAMAGE, LOSS AND EXPENSES ARISING OUT OF ANY UNAUTHORIZED USE.

REVISIONS		
NO.	DATE	REMARKS

DESIGNED  
SFK

DRAFTED  
NMK

CHECKED  
KBFD

**Industrial Technology Group**  
Henneman Engineering Inc.  
2803 Research Road  
Champaign, Illinois 61822-1079  
T 217.398.6280  
F 217.398.6286  
Email: itg@henneman.com  
Website: http://www.itg-henneman.com

**Central Illinois Energy**  
Pure Energy. Homegrown.

ETHANOL LOADOUT P&ID

ETHANOL RAIL LOADOUT/DDGS LOADOUT  
CENTRAL ILLINOIS ENERGY  
CANTON, ILLINOIS

ITG NO.:  
06-5183

DATE  
JANUARY 2007

SHEET NO.  
PID-3

OF SHEETS