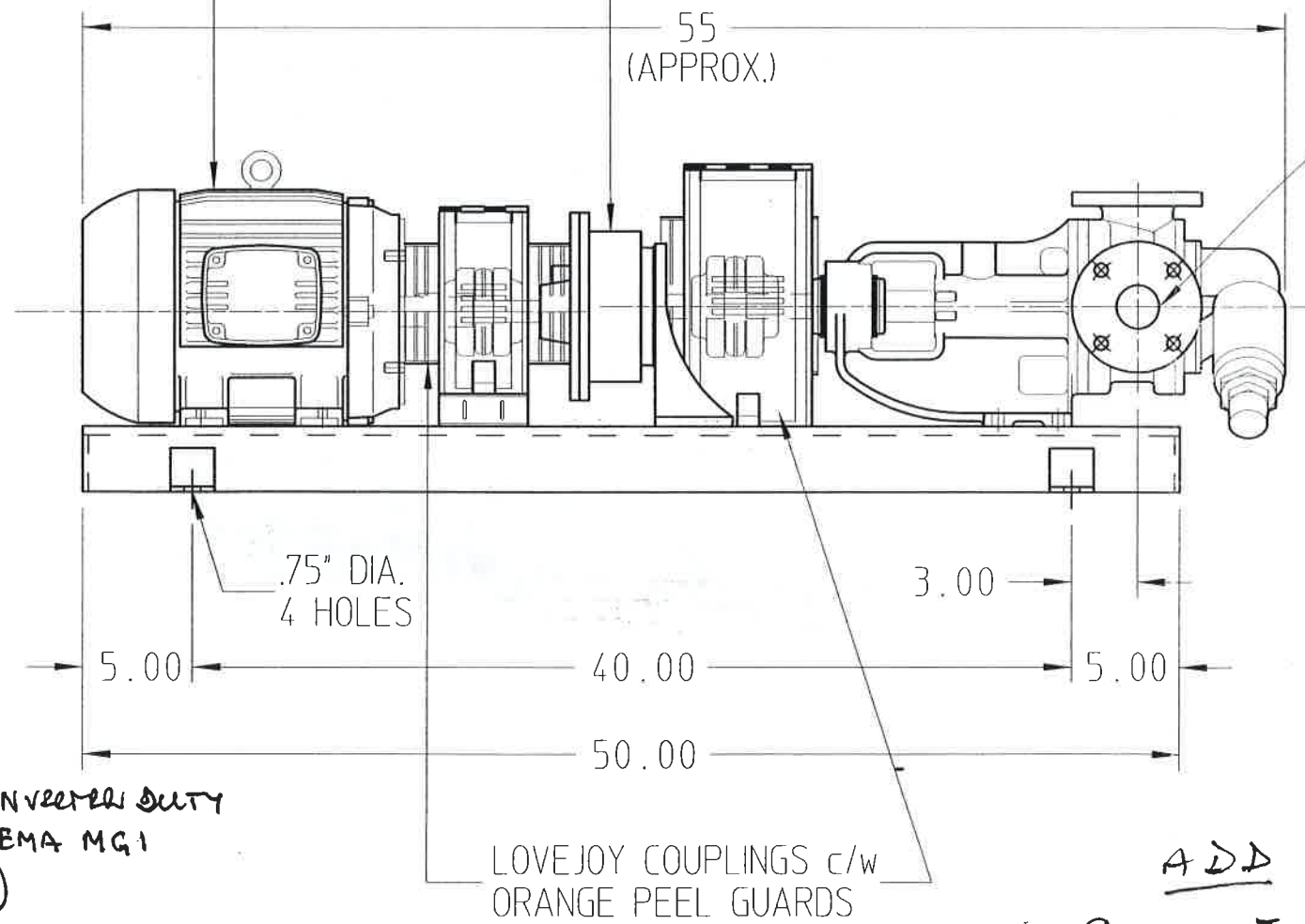


DIMENSIONAL DRAWING FOR VIKING KK-124SS PUMP ARRANGEMENT 70

213-T FRAME MOTOR
 VIKING "B" GEAR REDUCER
 5.06:1 RATIO = 350 rpm OUTPUT

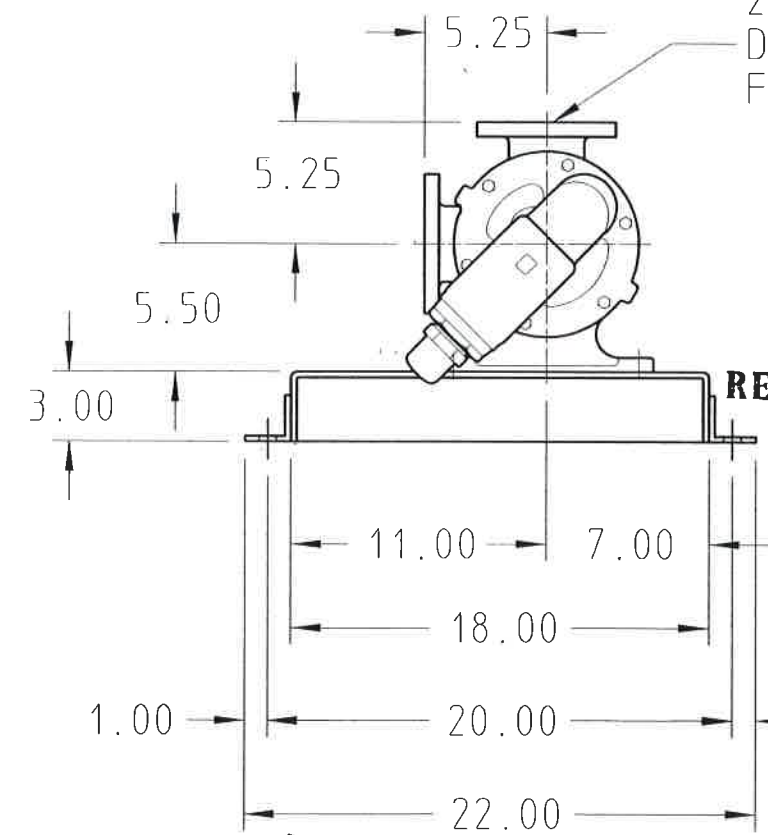


MOTOR TO BE INVERTER DUTY
 (MEETING NEMA MG1
 SECTION 31)

Integral PSU?

CB 01-26-07
 2" ANSI FF
 SUCTION
 FLANGE

CB 01-26-07
 2" ANSI FF
 DISCHARGE
 FLANGE



06018
 CIE: ETHANOL
 Canton, Illinois
RECEIVED JAN 18 2007

File: ~~17.1~~ ws
 PR 5301
~~17.1~~
~~17.1~~
 0180027002

Pump Tag #?
 PR-5301
 (CB 01-26-07)

ADD
 Central Illinois Energy
 Canton, Illinois
 EQ. No. PR5301

FIELD FILE

CUSTOMER: TRI-STATE PROCESS EQ. CUSTOMER ORDER #:
 MODEL KK-124SS PUMP ARRANGEMENT 70
 THIS PRINT IS PRELIMINARY
 DRAWN BY: MIKE T
 APPROVED BY: MIKE T

VIKING SALES ORDER #: 137764
 DATE: JAN. 03/07
 DATE: JAN. 03/07

DRAWING SCALE N.T.S.									
PUMP DESIGN DATA					MOTOR DESIGN DATA				
PUMP MODEL	SIZE	L. LIQUID	R.P.M.	R.P.M.	PUMP MODEL	SIZE	L. LIQUID	R.P.M.	R.P.M.
KK-124SS	2" ANSI	SYRUP	7.5	1750	213-T	TEFC			
CAPACITY		TEMP.	PHASE	ENCLOSURE					
50 GPM		122 °F	213-T	TEFC					
DISC HEAD	S.G.	VISC.	VOLTS	CYCLE	PHASE				
54 PSIG	1.15	400 CP (5000 CP WHEN COOL)	230/460	60	3				

THIS DRAWING IS THE PROPERTY OF VIKING PUMP, INC. AND IS PROPRIETARY IN GENERAL AND DETAIL. IT SHALL NOT BE COPIED OR ITS CONTENTS REVEALED TO OUTSIDE PARTIES WITHOUT THE WRITTEN CONSENT OF VIKING PUMP, INC.

VIKING PUMP

DIMENSIONAL DRAWING FOR VIKING KK-124SS PUMP ARR. 70 c/w 213-T MOTOR, B- REDUCER, LOVEJOY COUPLINGS AND ORANGE PEEL GUARDS

VIKING PUMP OF CANADA INC.
 A Unit of IDEX Corporation
 Windsor, Ontario N9A 6M3
 CANADA

ARR. DRAWING DRG. SIZE B
 DRAWING NUMBER 800-KK124SS-70-64

CONTENTS

Special Information	2
Maintenance	2
Packed Pump Breakdown Drawing	4
Packed Pump Disassembly	5
Packed Pump Assembly	6
Sealed Pump Breakdown Drawing	7
Sealed Pump Disassembly	8
Sealed Pump Assembly	9
Installation of Carbon Graphite Bushings	10
End Clearance Adjustment	10
Pressure Relief Valve Instructions	11
Pneumatic Testing	11
Pressure Adjustment	12
Troubleshooting	13
Pump Inspection Report	14
Notes	15
Warranty	16

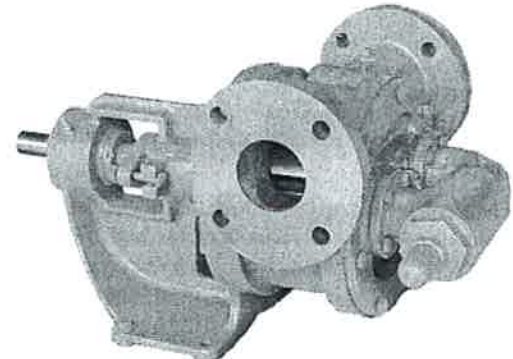
INTRODUCTION

The illustrations used in this manual are for identification purposes only and cannot be used for ordering parts. Obtain a parts list from the factory or a Vican representative. Always give complete name of part, part number and material with model number and serial number of pump when ordering repair parts. The pump model number and serial number are on the nameplate.

In the Vican model number system, basic size letters are combined with series number.

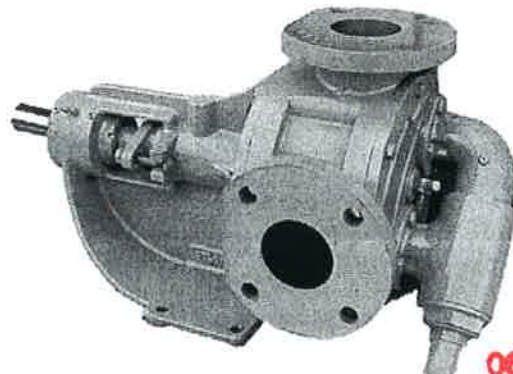


KK-124



LL-124 – Shown with 180 Deg. Ports

UNMOUNTED PUMP	UNITS
J-124	Units are designated by the unmounted pump model numbers followed by "Arrangement" indicating drive style.
K-124	
KK-124	
L-124	
LQ-124	13-Direct Connected
LL-124	53-Belt Driven
LM-124	70-Commercial Speed Reducer 90-Commercial Gear Motor



LM-124

This manual deals only with Series 120 and 124 Heavy Duty Bracket Mounted Pumps. Pump specifications and recommendations are listed in Catalog Section 3, series 124 Heavy Duty Bracket Mounted Pumps.



TRI-STATE PROCESS EQUIPMENT LTD.
5210 PLEASANT VIEW RD., SUITE #2
MEMPHIS, TENNESSEE 38134
(901) 372-9613 • FAX (901) 372-6747
800-727-0054 • TRISTATEPROCESS.COM

06018
CIE: ETHANOL
Canton, Illinois

04.16.07

File 17.1 PRJ5301

0180027006