

# DIMENSIONAL DRAWING LL-124 PUMP ARRANGEMENT 70

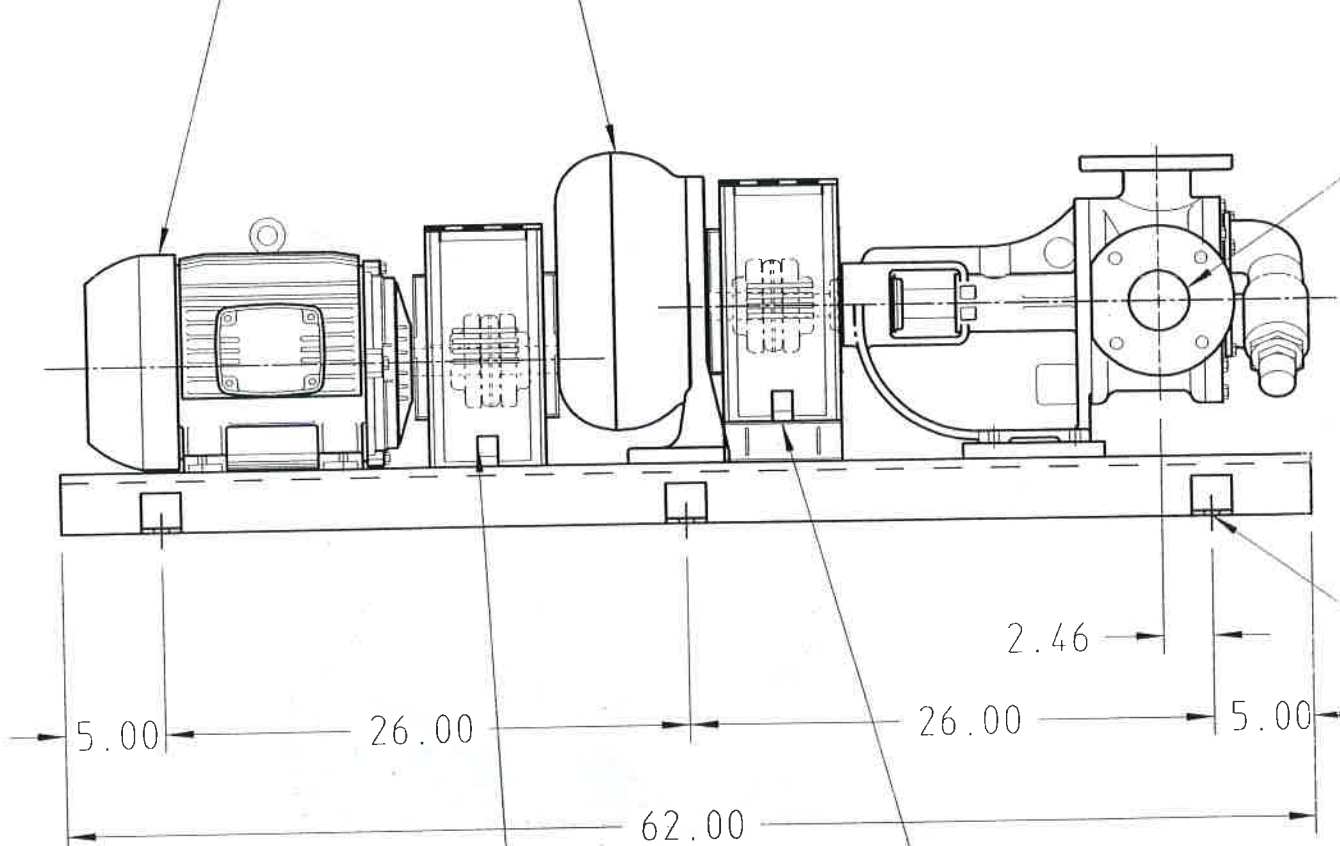
215-T FRAME MOTOR

VIKING "C" REDUCER  
5.08:1 RATIO = 350 rpm OUTPUT

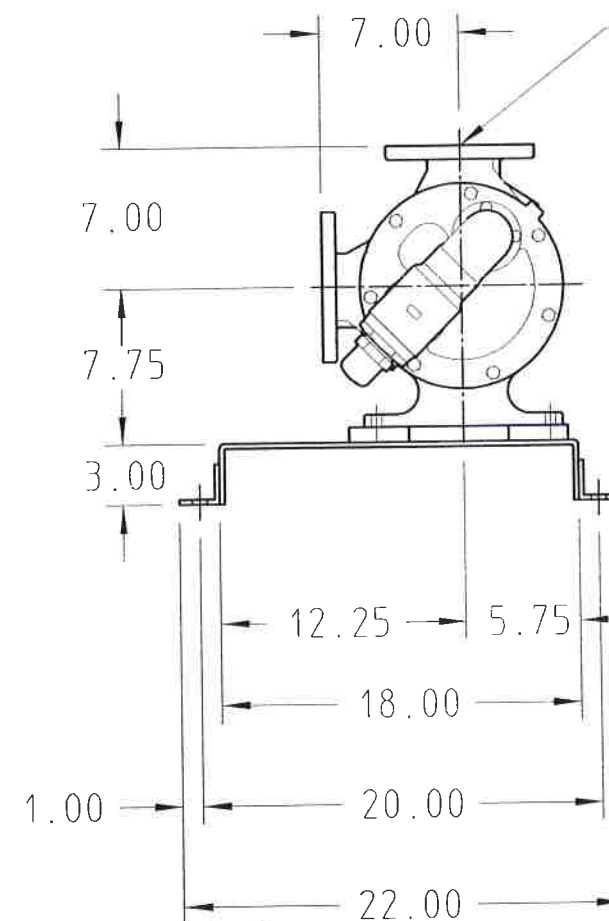
3" ANSI FF  
SUCTION PORT  
FLANGE  
01-26-07

3" ANSI FF  
DISCHARGE  
PORT  
FLANGE  
01-26-07

.75" DIA.  
6 HOLES



LOVEJOY COUPLINGS  
c/w ORANGE PEEL GUARDS



FIELD FILE

MOTOR TO BE INVERTER DUTY  
(MEETING NEMA MG1  
SECTION 31 STANDARD)

ADD. #

CENTRAL ILLINOIS ENERGY  
CANTON, ILLINOIS

Eq. No. PR-5302

Pump Tag #?  
PR-5302  
(c/w 01-26-07)

06018  
CIE: ETHANOL  
Canton, Illinois  
RECEIVED JAN 18 2007

File: 17.1  
~~17.1~~  
~~17.1~~  
~~17.1~~  
WS

0180027001

2		
1		JAN. 04/07
REV	C.N. NO.	DATE

CUSTOMER: TRI STATE PROCESS EQ. LTD.    CUSTOMER ORDER #:  
MODEL LL-124SS PUMP ARRANGEMENT 70  
THIS PRINT IS CERTIFIED  
DRAWN BY: MIKE T  
APPROVED BY: MIKE T

VIKING SALES ORDER #: 137765  
DATE: JAN. 04/07  
DATE: JAN. 04/07

PUMP DESIGN DATA				MOTOR DESIGN DATA			
PUMP MODEL	LL-124SS	SIZE	3" ANSI	LIQUID	SYRUP	HP.	10
CAPACITY	70 GPM	TEMP.	122 °F	FRAME	215-T	RPM	1750
DISC HEAD	82 psig	S.G.	1.15	ENCLOSURE	TEFC	VOLTS	230/460
		VISC.	400 (5000 when cool) cp	CYCLE	60	PHASE	3

THIS DRAWING IS THE PROPERTY OF VIKING PUMP, INC. AND IS PROPRIETARY IN GENERAL AND DETAIL. IT SHALL NOT BE COPIED OR ITS CONTENTS REVEALED TO OUTSIDE PARTIES WITHOUT THE WRITTEN CONSENT OF VIKING PUMP, INC.



VIKING PUMP OF CANADA INC.  
A Unit of IDEX Corporation  
Windsor, Ontario N9A 6M3  
CANADA

DIMENSIONAL DRAWING FOR LL-124SS PUMP ARR.70  
c/w 215-T FRAME MOTOR, LOVEJOY COUPLINGS,  
VIKING "C" REDUCER & ORANGE PEEL OSHA GUARDS

ARR. DRAWING    DRG. SIZE B  
DRAWING NUMBER 800-LL124SS-70-65