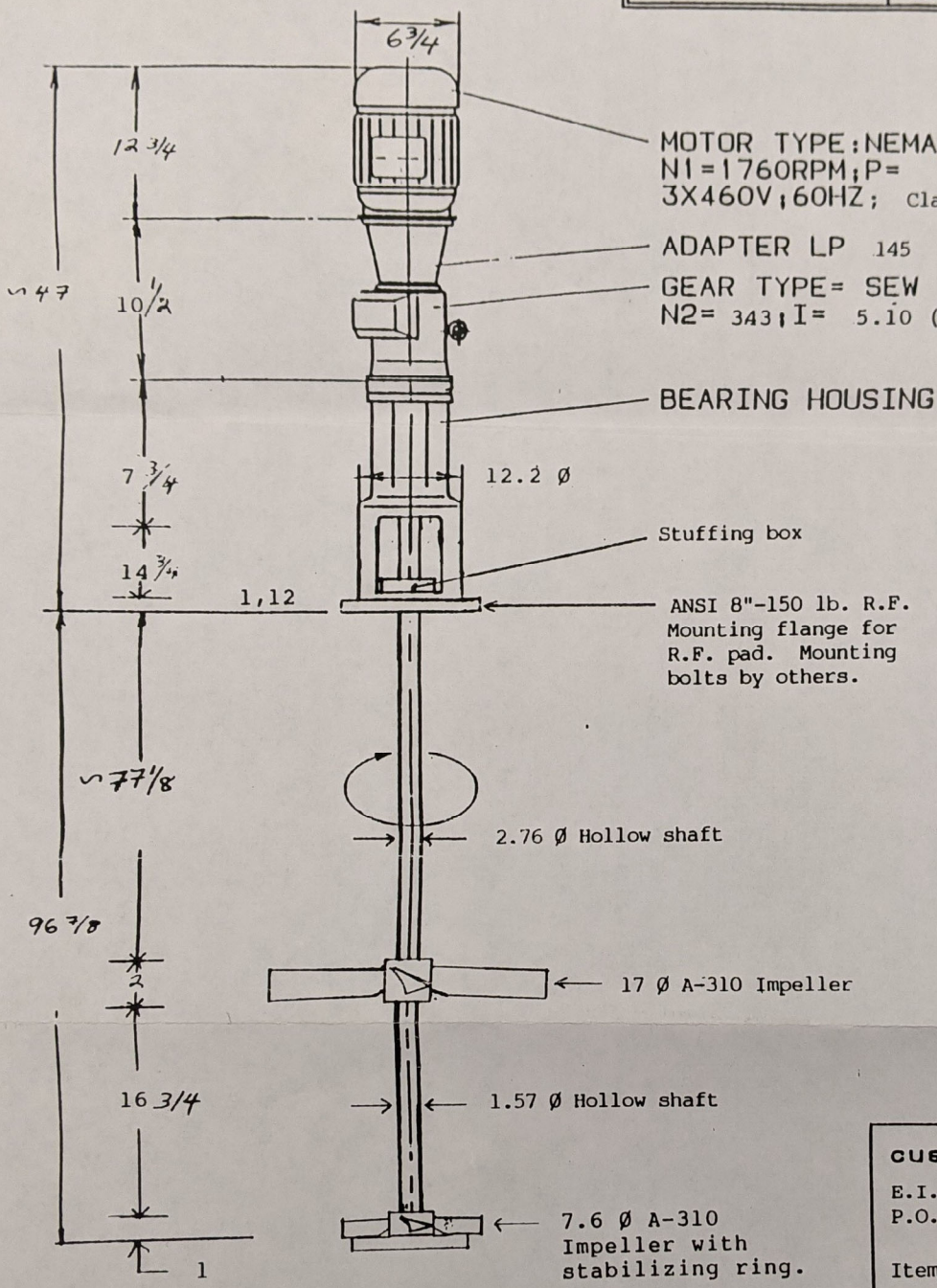


Axial force	F _a lbf.			475	-
Radial force	F _r lbf.			-	-
Bending moment M	lbf.ft			-	-
Torque	M, lbf.ft	30	50	-	70 35



MOTOR TYPE: NEMA Design B, 145TC frame, Reliance
 N1=1760RPM; P= 2 H.P.
 3X460V; 60HZ; Class I, Group D, Division 1

ADAPTER LP 145

GEAR TYPE= SEW RXF 71
 N2= 343; I= 5.10 (N2 can be increased to 347 by increasing VFD speed).

BEARING HOUSING

Stuffing box

ANSI 8"-150 lb. R.F. Mounting flange for R.F. pad. Mounting bolts by others.

FABRICATION RELEASE

For General Conformity To
 Dimensions And Materials Specified

APPROVED
 APPROVED AS NOTED
 NOT APPROVED

BY FLUOR DANIEL
 FOR DU POINT

Robert Hoare 3/12/93
 SIGNATURE DATE

materials of construction:

Shaft: Constructed of 316L S.S. Electropolished to 4-8 RMS (320 grit).
 Impeller: Constructed of 316L S.S. Electropolished to 4-8 RMS (320 grit).

customer:

E.I.
 P.O. #LPBC-90229W, Rev. 3

Item #6100-9011-71 to 73 & 77

EKATO S/N 93/2202/02665-668
 EKATO Order S-5426
 EKATO Spec. No. 271.71387.00

	Date: 2-10-93 Signature: ATD	TYPE: EM 060	EKATO
	checked std. checked		
CHANGES: 5/11/93 ATD	DATE: 5/11/93 NAME: ATD	SCALE: NTS	Name: STANDARD AGITATOR with motor
This drawing is private and confidential communication and the property of EKATO. It must not be copied or lent without consent of EKATO.		MAR 15 1993	Replacement form Released by

BPF310862

10