

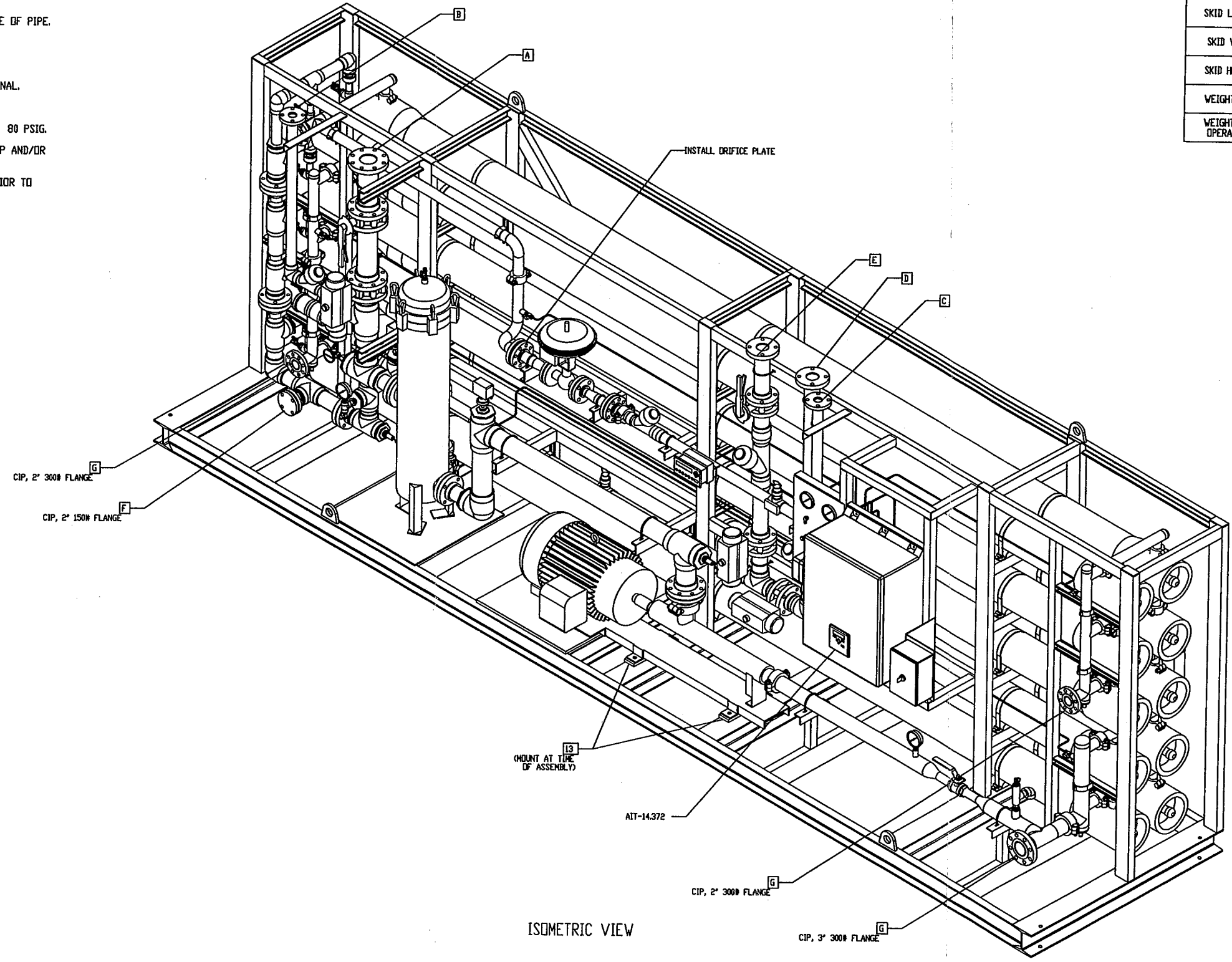
NOTES:

1. ALL DIMENSIONS ARE IN INCHES. ALL TOLERANCES ARE +/- 1/2".
2. ALL BOLT HOLE PATTERN OF FLANGES TO STRADDLE PRINCIPLE CENTER LINE OF PIPE.
3. GASKETS TO BE EPDM, AND 300# SPIRASEAL.
4. ALL CONDUIT TO BE RIGID GALVANIZED.
5. ALL WEIGHTS ASSOCIATED WITH GENERAL ARRANGEMENT DRAWINGS ARE NOMINAL.
6. ALL MOUNTING HARDWARE TO BE PLATED CARBON STEEL.
7. ALL INSTRUMENTATION TUBING IS P.E. STATICALLY PRESSURE TESTED TO 80 PSIG.
8. ALL INSTRUMENTATION, TIMERS, ETC. SHOULD BE CHECKED FOR PROPER SETUP AND/OR CALIBRATION AT TIME OF START-UP.
9. ALL MANUAL VALVES AND HANDLES ARE TO BE ACCESSIBLE AND CLOSED PRIOR TO SHIPMENT.
10. TAGS ARE ROUND STAINLESS STEEL HUNG WITH STAINLESS STEEL WIRE.
11. THE USE OF SPREADER BARS IS SUGGESTED WHEN LIFTING FROM ABOVE.
12. TORQUE SPIRASEAL GASKETS TO SPECIFIED FT./ LBS.

300# FLANGES/ FT. LBS
 1-1/2" 150
 2" 100
 3" 150
 4" 150

13 INSTALL 3/4" THICK SHIMS.

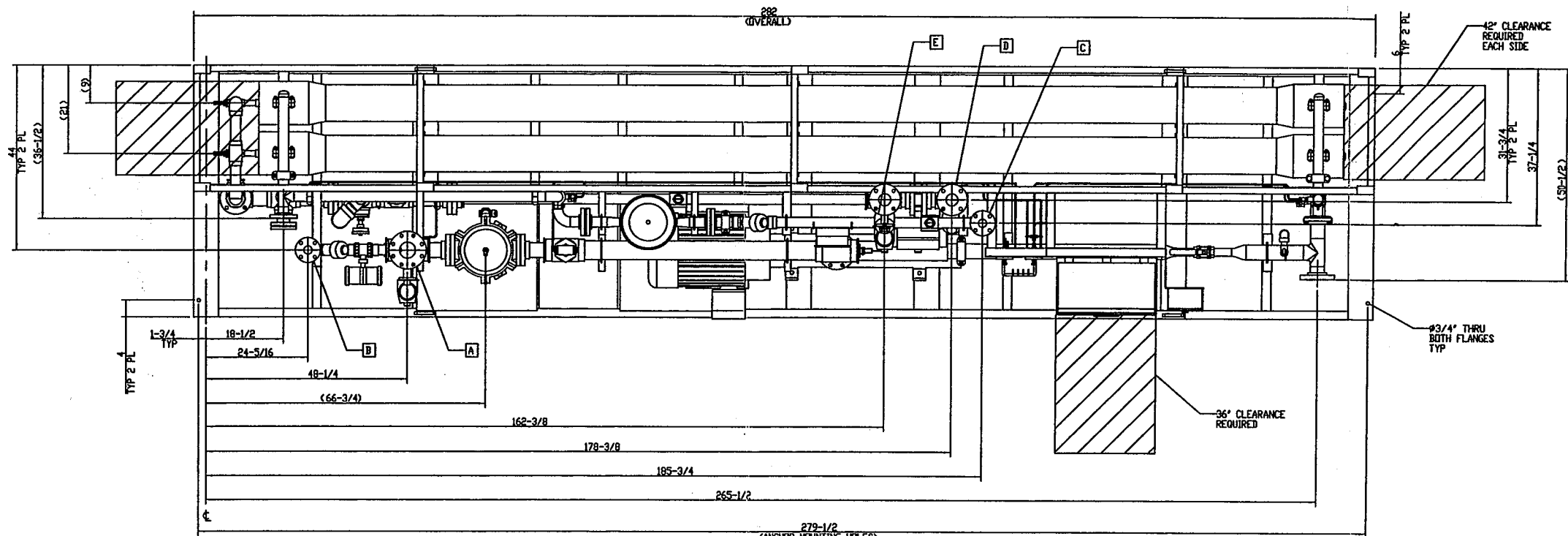
GENERAL ARRANGEMENT SECONDARY RO RD 5:3:2 ARRAY	
SKID LENGTH	282 inches
SKID WIDTH	60-3/8 inches
SKID HEIGHT	96 inches
WEIGHT DRY	7,500 lbs
WEIGHT WET OPERATING	10,500 lbs



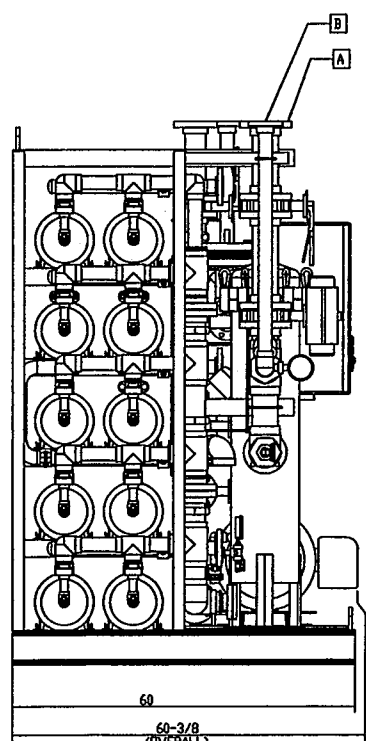
ISOMETRIC VIEW

FLAG NO.	INLET / OUTLET SPECIFICATION
A	4" 150# PVC FLANGE INLET, FROM SECONDARY RO FEED PUMPS
B	2" 150# PVC FLANGE INLET, PRODUCT WATER FLUSH
C	2" 150# PVC FLANGE OUTLET, RO CONCENTRATE
D	3" 150# PVC FLANGE OUTLET, TO CTBD STORAGE TANK
E	3" 150# PVC FLANGE OUTLET, RO PERMEATE STORAGE TANKS
F	2" 150# PVC FLANGE RETURN TO CIP SKID
G	2" 300# SS FLANGE RETURN TO CIP SKID (TYP 3 PLACES)

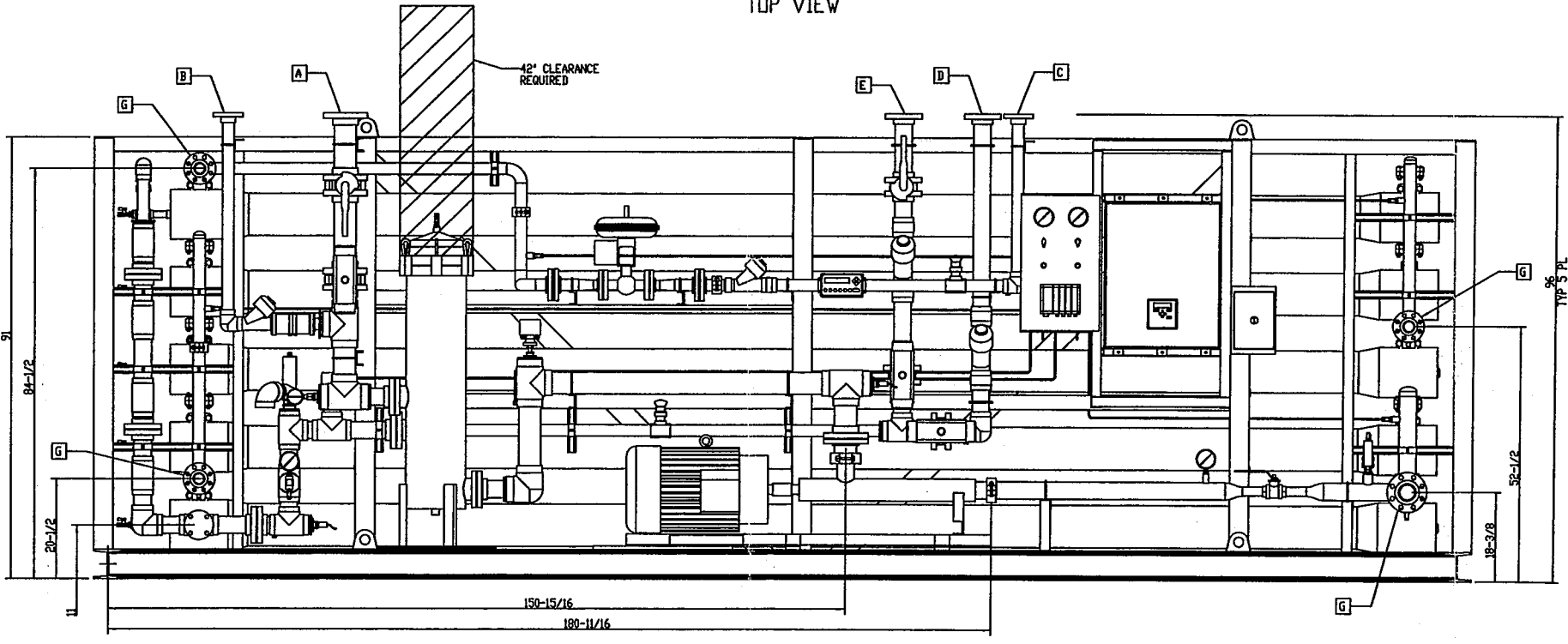
STD: 2-0200-22X34D	INTL REF:	BAR = 1" AT PLOT SCALE	REV	DESCRIPTION	DATE	DWN	CHKD	APVD	ECH	<p>COMPANY CONFIDENTIAL THIS DOCUMENT AND ALL INFORMATION CONTAINED HEREIN ARE THE PROPERTY OF SIEMENS AND ITS AFFILIATES. THE DESIGN, CONCEPTS AND INFORMATION CONTAINED HEREIN ARE PROPRIETARY TO SIEMENS AND ARE SUBMITTED IN CONFIDENCE. THEY ARE NOT TRANSFERABLE AND MUST BE USED ONLY FOR THE PURPOSES FOR WHICH THE DOCUMENT IS EXPRESSLY LOWERED OR USED BY ANY OTHER NUMBER WITHOUT THE EXPRESS WRITTEN CONSENT OF SIEMENS. IN NO EVENT SHALL THEY BE USED IN ANY MANNER DETRIMENTAL TO THE INTERESTS OF SIEMENS. ALL PATENT RIGHTS ARE RESERVED. UPON THE DEMAND OF SIEMENS, THIS DOCUMENT, ALONG WITH ALL COPIES AND EXTRACTS, AND ALL RELATED NOTES AND ANALYSIS, MUST BE RETURNED TO SIEMENS OR DESTROYED, AS DIRECTED BY SIEMENS. ACCEPTANCE OF THE DELIVERY OF THIS DOCUMENT CONSTITUTES AGREEMENT TO THESE TERMS AND CONDITIONS.</p>	DESIGNER: BLG DATE: 03/28/07 CHECKER: Bof DATE: 03/28/07 ENGINEER: Bof DATE: 03/28/07 MANAGER: BV DATE: 03/28/07 FILED:	TITLE: GENERAL ARRANGEMENT SECONDARY RO RD 5:3:2 ARRAY CLIENT: HDR ENGINEERING - VERASUN ENERGY CORP. WELCOME, MN SIEMENS WATER TECHNOLOGIES COLORADO SPRINGS, CO 719-570-9600	PROJECT: 08077 CODE: DRAWING: 0500 SHEET: 1 OF 3 REV: 0
0	ISSUED FOR CONSTRUCTION	04/18/07	BLG	Bof	Bof					SCALE: 5/64			



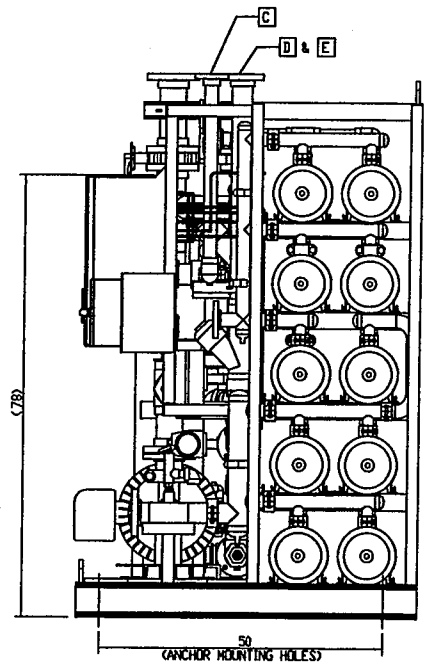
TOP VIEW



LEFT SIDE VIEW



FRONT VIEW

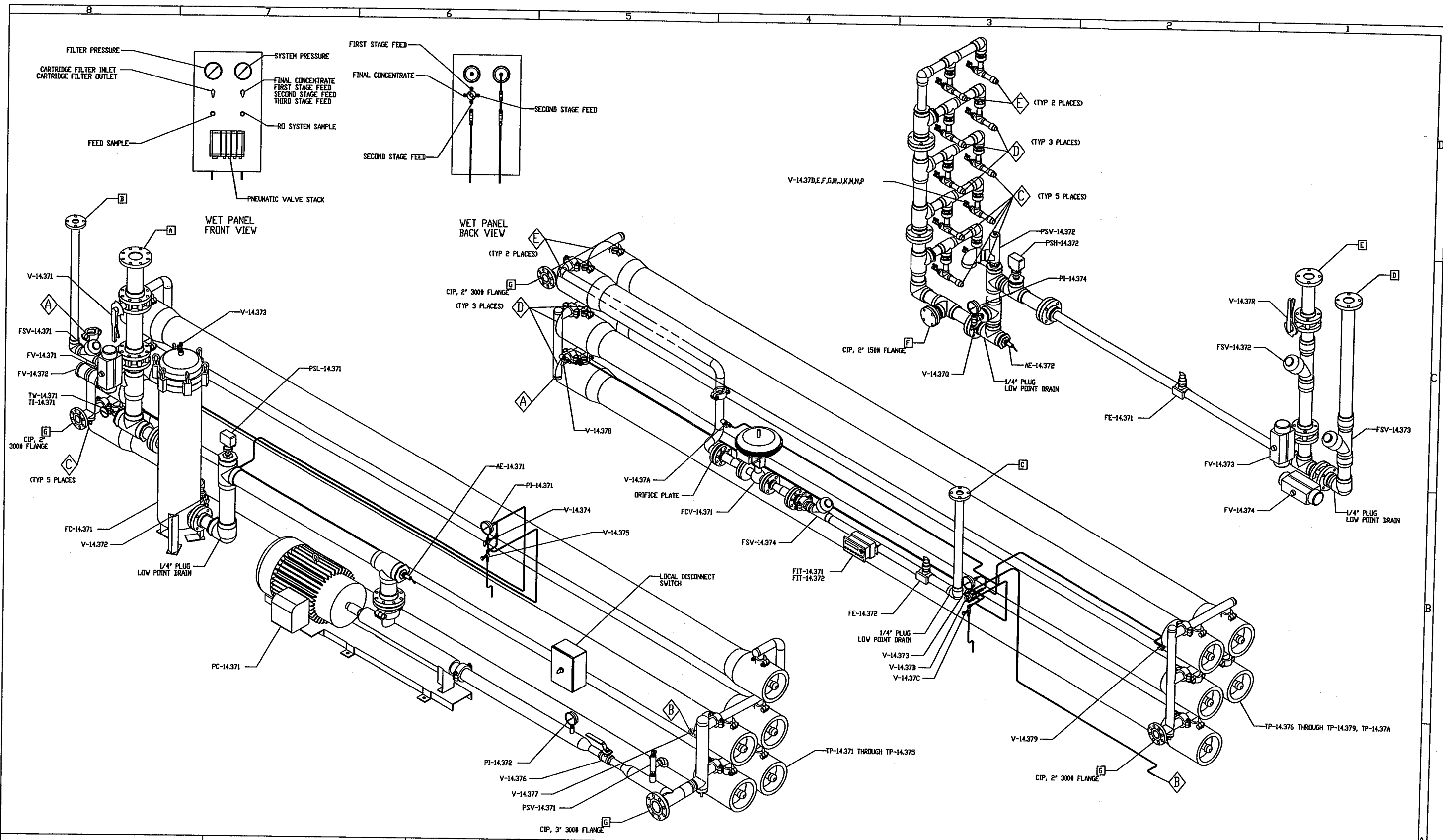


RIGHT SIDE VIEW

STD: 2-0200-22X34D	INTL REF:	BAR = 1" AT PLOT SCALE	REV	DESCRIPTION	DATE	DWN	CHKD	APVD	ECN	<p>COMPANY CONFIDENTIAL THIS DOCUMENT AND ALL INFORMATION CONTAINED HEREIN AND THE PROPERTY OF SIEMENS AND ITS AFFILIATES. THE DESIGN CONCEPTS AND INFORMATION CONTAINED HEREIN ARE PROPRIETARY TO SIEMENS AND ARE SUBMITTED IN CONFIDENCE. THEY ARE NOT TRANSFERABLE AND MUST BE USED ONLY FOR THE PURPOSES FOR WHICH THE DOCUMENT IS EXPRESSLY ISSUED OR USED IN ANY OTHER MANNER WITHOUT THE EXPRESS WRITTEN CONSENT OF SIEMENS. IN NO EVENT SHALL THEY BE USED IN ANY MANNER DETRIMENTAL TO THE INTEREST OF SIEMENS. ALL PATENT RIGHTS ARE RESERVED. UPON THE SIGNATURE OF SIEMENS, THIS DOCUMENT, ALONG WITH ALL COPIES AND EXTRACTS AND ALL RELATED NOTES AND ANALYSES, MUST BE RETURNED TO SIEMENS OR DESTROYED AS DIRECTED BY SIEMENS. ACCEPTANCE OF THE DELIVERY OF THIS DOCUMENT CONSTITUTES AGREEMENT TO THESE TERMS AND CONDITIONS.</p>	<p>DESIGNER: DLG CHECKER: BcF ENGINEER: BcF MANAGER: BV</p>	<p>DATE: 03/28/07 DATE: 03/28/07 DATE: 03/28/07 DATE: 03/28/07</p>	<p>TITLE: GENERAL ARRANGEMENT SECONDARY ROD RD 532 ARRAY CLIENT: HDR ENGINEERING - VERASUN ENERGY CORP. WELCOME, MN SIEMENS WATER TECHNOLOGIES COLORADO SPRINGS, CO 719-570-9600</p>	<p>PROJECT: 08077 CODE: 0500 DRAWING: 0500 SHEET: 2 OF 3 REV: 0</p>
--------------------	-----------	------------------------	-----	-------------	------	-----	------	------	-----	---	---	--	---	---

- SEE SHEET ONE -

SCALE: 1/16



STD: 2-0200-22X34D		INTL REF:	BAR = 1" AT PLOT SCALE		REV	DESCRIPTION	DATE	DWN	CHKD	APVD	ECH	<p>COMPANY CONFIDENTIAL. THIS DOCUMENT AND ALL INFORMATION CONTAINED HEREIN ARE THE PROPERTY OF SIEMENS AND/OR ITS AFFILIATES. THE DESIGN CONCEPTS AND INFORMATION CONTAINED HEREIN ARE PROPRIETARY TO SIEMENS AND ARE SUBMITTED IN CONFIDENCE. THEY ARE NOT TRANSFERABLE AND MUST BE USED ONLY FOR THE PURPOSES FOR WHICH THE DOCUMENT IS EXPRESSLY ISSUED. THEY MUST NOT BE DISCLOSED, REPRODUCED, LOANED OR USED BY ANY OTHER PARTY WITHOUT THE EXPRESS WRITTEN CONSENT OF SIEMENS. IN NO EVENT SHALL THEY BE USED IN ANY MANNER RETROACTIVE TO THE INVENTION OF SIEMENS. ALL PATENT RIGHTS ARE RESERVED. UPON THE DEMAND OF SIEMENS, THIS DOCUMENT, ALONG WITH ALL COPIES AND EXTRACTS AND ALL RELATED NOTES AND ANALYSES, MUST BE RETURNED TO SIEMENS OR DESTROYED AS DIRECTED BY SIEMENS. ACCEPTANCE OF THE DELIVERY OF THIS DOCUMENT CONSTITUTES AGREEMENT TO THESE TERMS AND CONDITIONS.</p>		DESIGNER: BLG CHECKER: BoF ENGINEER: BoF MANAGER: BW DATE: 03/28/07 DATE: 03/28/07 DATE: 03/28/07 DATE: 03/28/07 FILE:	TITLE: GENERAL ARRANGEMENT SECONDARY RO RO 5/3:2 ARRAY CLIENT: HDR ENGINEERING - VERASUN ENERGY CORP. WELCOME, MN SIEMENS WATER TECHNOLOGIES COLORADO SPRINGS, CO 719-570-9600	PROJECT: 08077 CODE:	DRAWING: 0500 SHEET: 3 OF 3 REV: 0
- SEE SHEET ONE -						SCALE: 5/64						PROJECT: 08077	CODE:	DRAWING: 0500	SHEET: 3 OF 3	REV: 0	