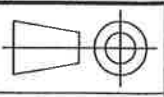


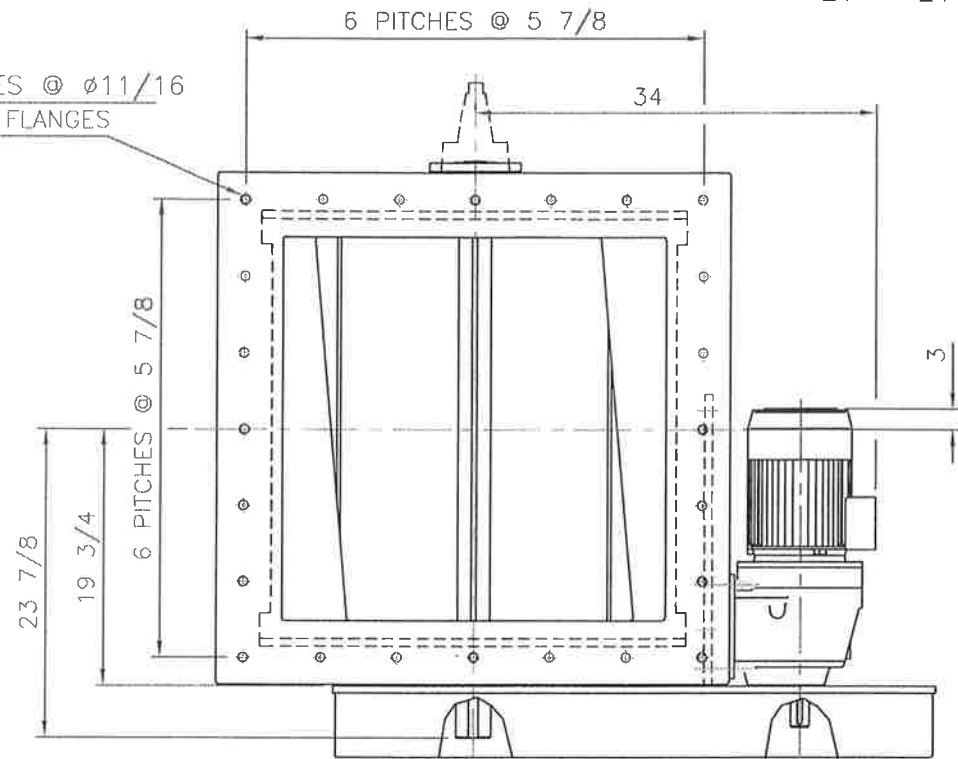
IF IN DOUBT ASK

BARR-ROSLIN DRAWING NUMBER

2409 - RVAL - 11 - 01 REV A



24 HOLES @ $\phi 11/16$
IN BOTH FLANGES



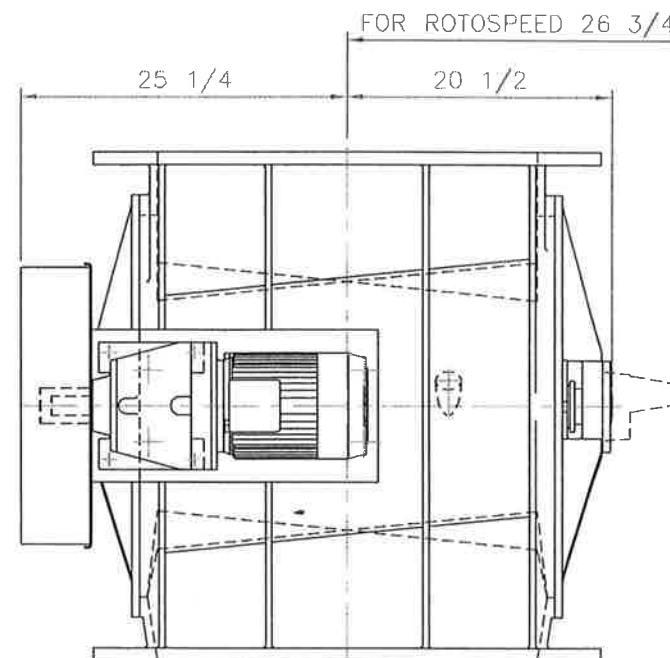
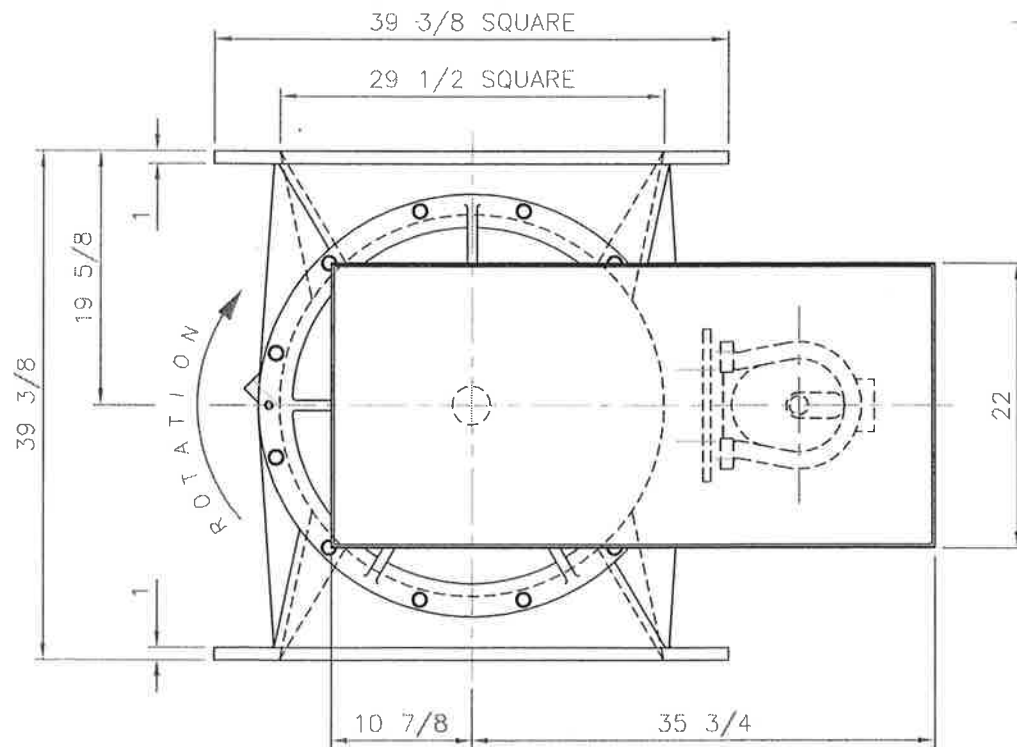
Body: Cast iron precision bore
 End Covers: Cast iron spigot located for concentricity chromed faces
 Rotor: Fabricated stainless steel eight vane rotor, open end adjustable rotor with bevel tips machined for 194 F
 Bearings: Ball type, mounted outboard
 Shaft Seal: Gland Type with PTFE packing, pocket purge
 Drive: 3 HP 230/460/3/60 c-face motor motor helical inline gearbox all sidewall mounted to valve body complete with taperlock bushings, sprockets for 18 RPM all enclosed in an OSHA guard with safety leaflet/labels

BARR-ROSLIN
RECEIVED
 APR 24 2007

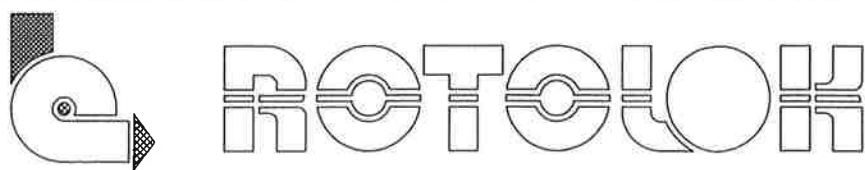
Notes

1. Barr Rosin P.O. # 2405/17
2. Rotolok # 39577
3. Qty 1

CERTIFIED



AMENDMENTS	
D	OPTIONS & ROTOSPEED ADDED (1442)
C	ROTOR, GUARD & G/MOTOR DIM'S AMENDED (426)
B	GEARBOX UPDATED WITH DIMS. (263)



ROTOLOK VALVES INC.
 2711 GRAY FOX ROAD
 MONROE, NC 28110

This drawing is the property of ROTOLOK LTD and is loaned subject to the condition that it shall not be reproduced, copied, loaned or submitted to others without our consent.

ITEM	PART No.	QTY	DESCRIPTION	MATL.	DWG REF
CLIENT			TITLE	GENERAL ARRANGEMENT	
MOTORISED STANDARD			30" SQUARE ROTARY VALVE		
SCALE N.T.S.			DRAWING No.		
			10525		
			ISSUE D		
DRAWN	CHECKED	APPROVED			
ΔB					
10/8/93					