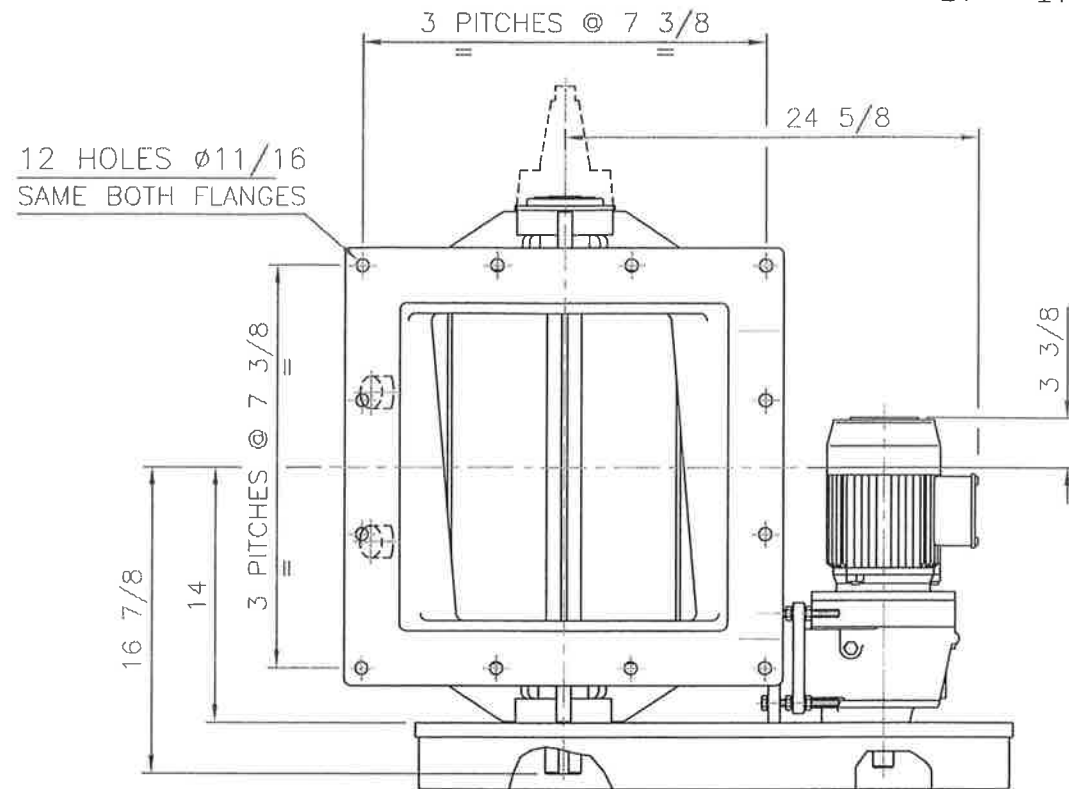
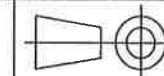


IF IN DOUBT ASK

BARR-ROSIN DRAWING NUMBER

2409 - RVAL - 31 - 01 REV A



Valve Description:

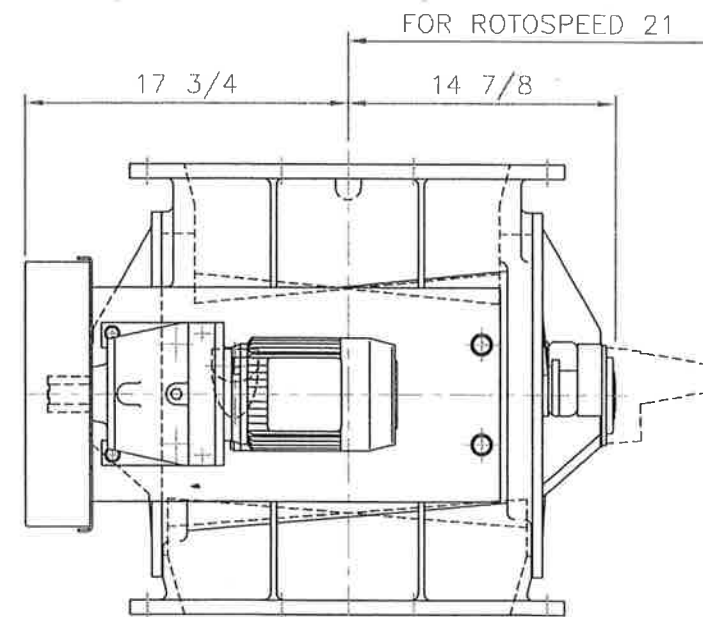
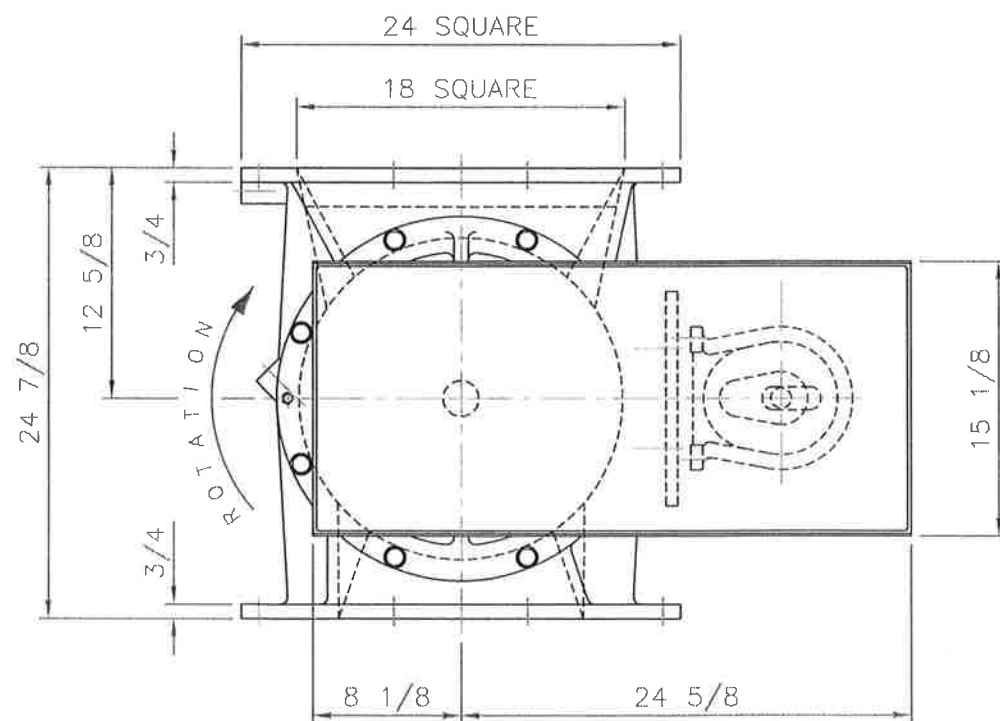
Body: Cast iron precision bore
 End Covers: Cast iron spigot located for concentricity chromed faces
 Rotor: Fabricated stainless steel eight vane rotor, open end adjustable rotor with bevel tips machined for 110 F
 Bearings: Ball type, mounted outboard
 Shaft Seal: Gland Type with PTFE packing, pocket purge
 Drive: 1-1/2 HP 230/460/3/60 c-face motor motor helical inline gearbox all sidewall mounted to valve body complete with taperlock bushings, sprockets for 24 RPM all enclosed in an OSHA guard with safety leaflet/labels

BARR-ROSIN
 RECEIVED
 APR 24 2007

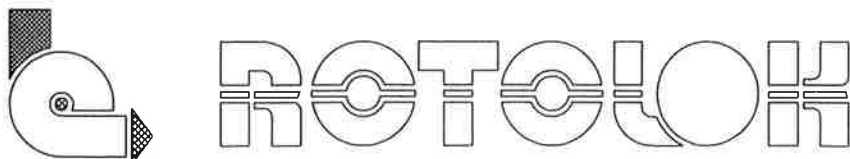
Notes

1. Barr Rosin P.O. # 2405/17
2. Rotolok # 39577
3. Qty 1

CERTIFIED



D	OPTIONS & ROTOSPEED ADDED (1442)
C	OVERALL HEIGHT WAS CHANGED (1270)
B	DRIVE WAS TDM 20, 2 HP, (1.5 KW). (1035)
AMENDMENTS	



ROTOLOK VALVES INC.
 2711 GRAY FOX ROAD
 MONROE, NC 28110

This drawing is the property of ROTOLOK LTD and is loaned subject to the condition that it shall not be reproduced, copied, loaned or submitted to others without our consent.

ITEM	PART No.	QTY	DESCRIPTION	MATL.	DWG REF
CLIENT			TITLE GENERAL ARRANGEMENT		
MOTORISED STANDARD			18" SQUARE ROTARY VALVE		
SCALE N.T.S.			DRAWING No.		
			11837		
DRAWN			CHECKED	APPROVED	ISSUE D
ΔB					
16/6/94					