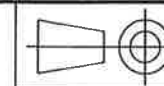


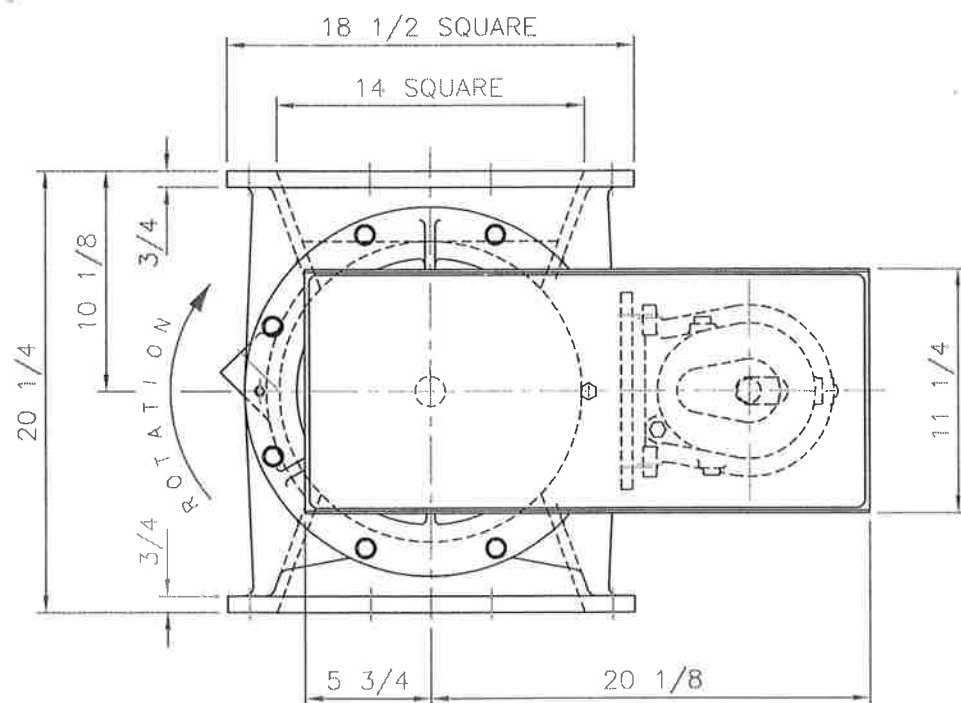
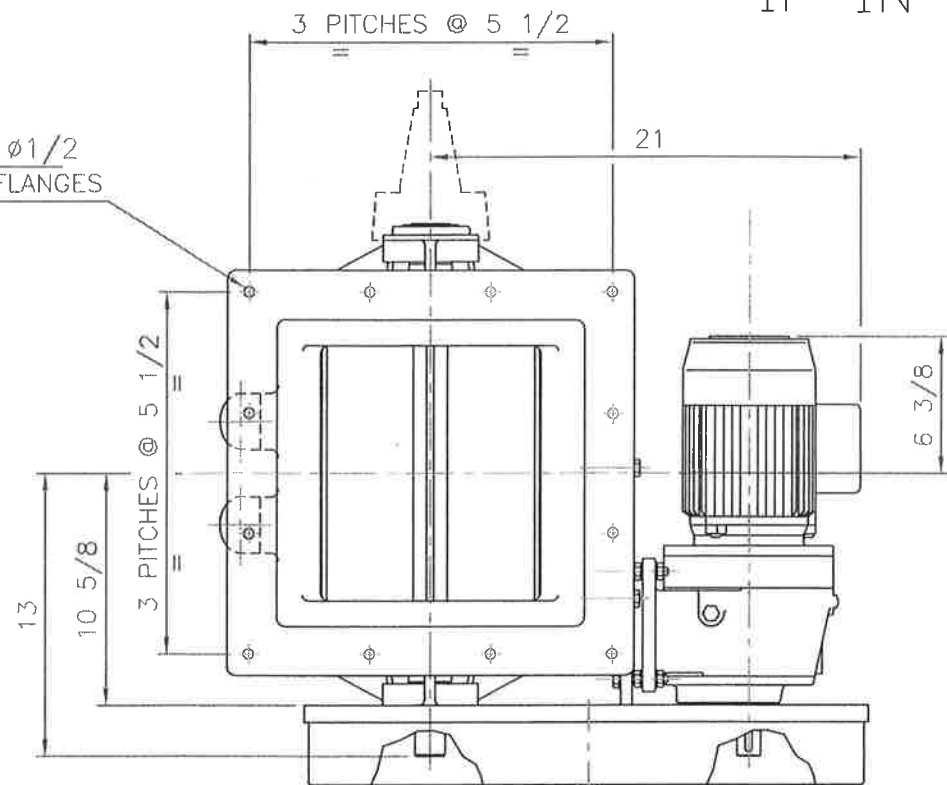
IF IN DOUBT ASK

BARR-ROSIN DRAWING NUMBER

2409 - RVAL - 32 - 01 REV A



12 HOLES  $\phi 1/2$   
SAME BOTH FLANGES



Valve Description:

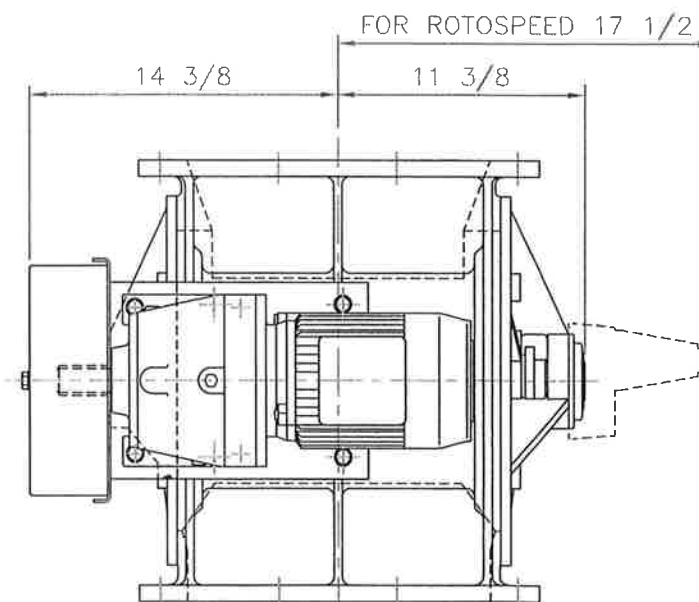
Body: Cast iron precision bore  
 End Covers: Cast iron spigot located for concentricity chromed faces  
 Rotor: Fabricated stainless steel eight vane rotor, open end adjustable rotor with bevel tips machined for 110 F  
 Bearings: Ball type, mounted outboard  
 Shaft Seal: Gland Type with PTFE packing, pocket purge  
 Drive: 1 HP 230/460/3/60 c-face motor motor helical inline gearbox all sidewall mounted to valve body complete with taperlock bushings, sprockets for 29 RPM all enclosed in an OSHA guard with safety leaflet/labels



Notes

1. Barr Rosin P.O. # 2405/17
2. Rotolok # 39577
3. Qty 1

CERTIFIED



ITEM	PART No.	QTY	DESCRIPTION	MATL.	DWG REF
CLIENT			TITLE GENERAL ARRANGEMENT		
MOTORISED STANDARD			14" SQUARE ROTARY VALVE		
SCALE N.T.S.			DRAWING No.		
			10543		
DRAWN			CHECKED	APPROVED	ISSUE C
13/12/93					



ROTOLOK VALVES INC.  
 2711 GRAY FOX ROAD  
 MONROE, NC 28110

This drawing is the property of ROTOLOK LTD and is loaned subject to the condition that it shall not be reproduced, copied, loaned or submitted to others without our consent.

C	OPTIONS & ROTOSPEED ADDED	(1442)
B	CHANGE OF GEARBOX	(263)
AMENDMENTS		