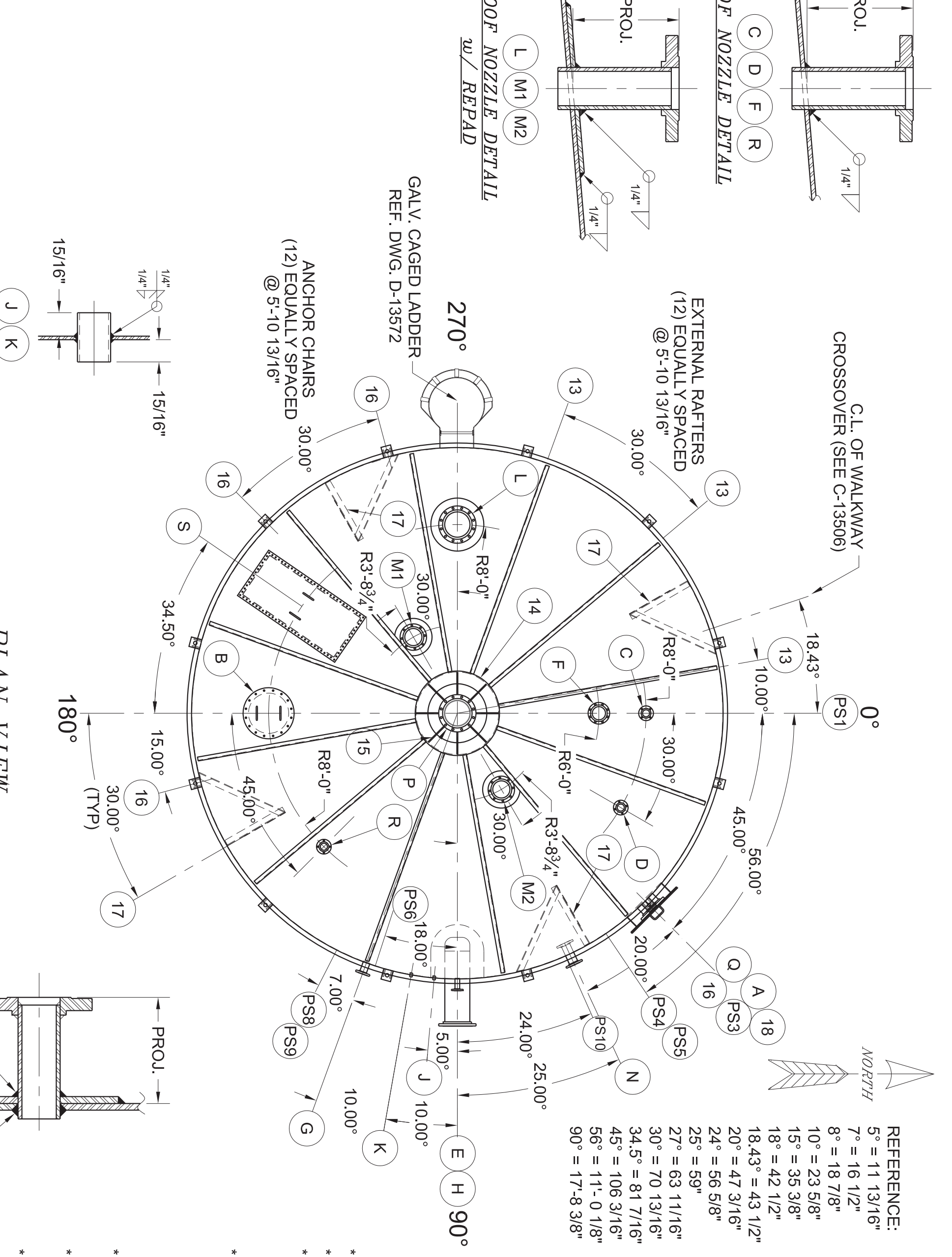
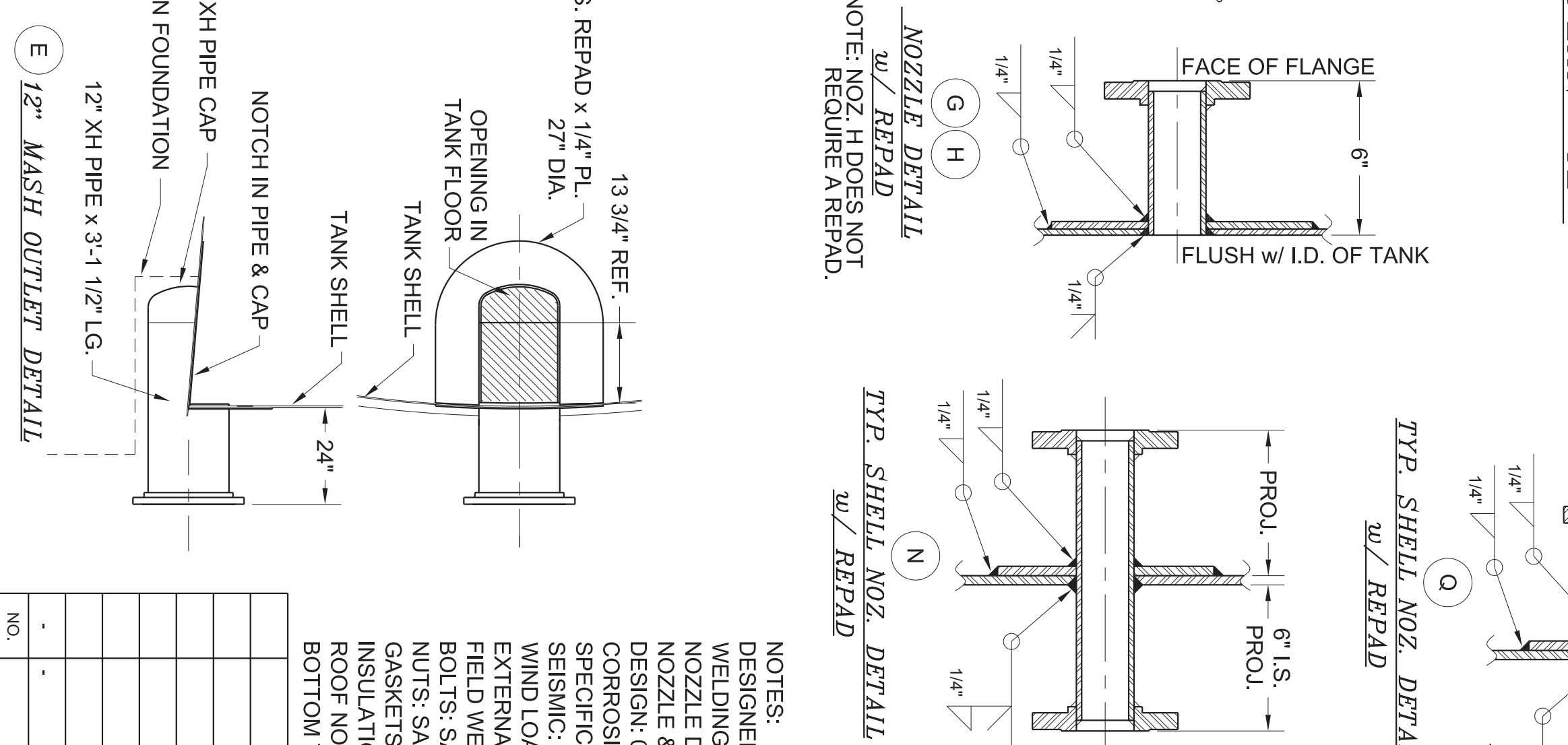
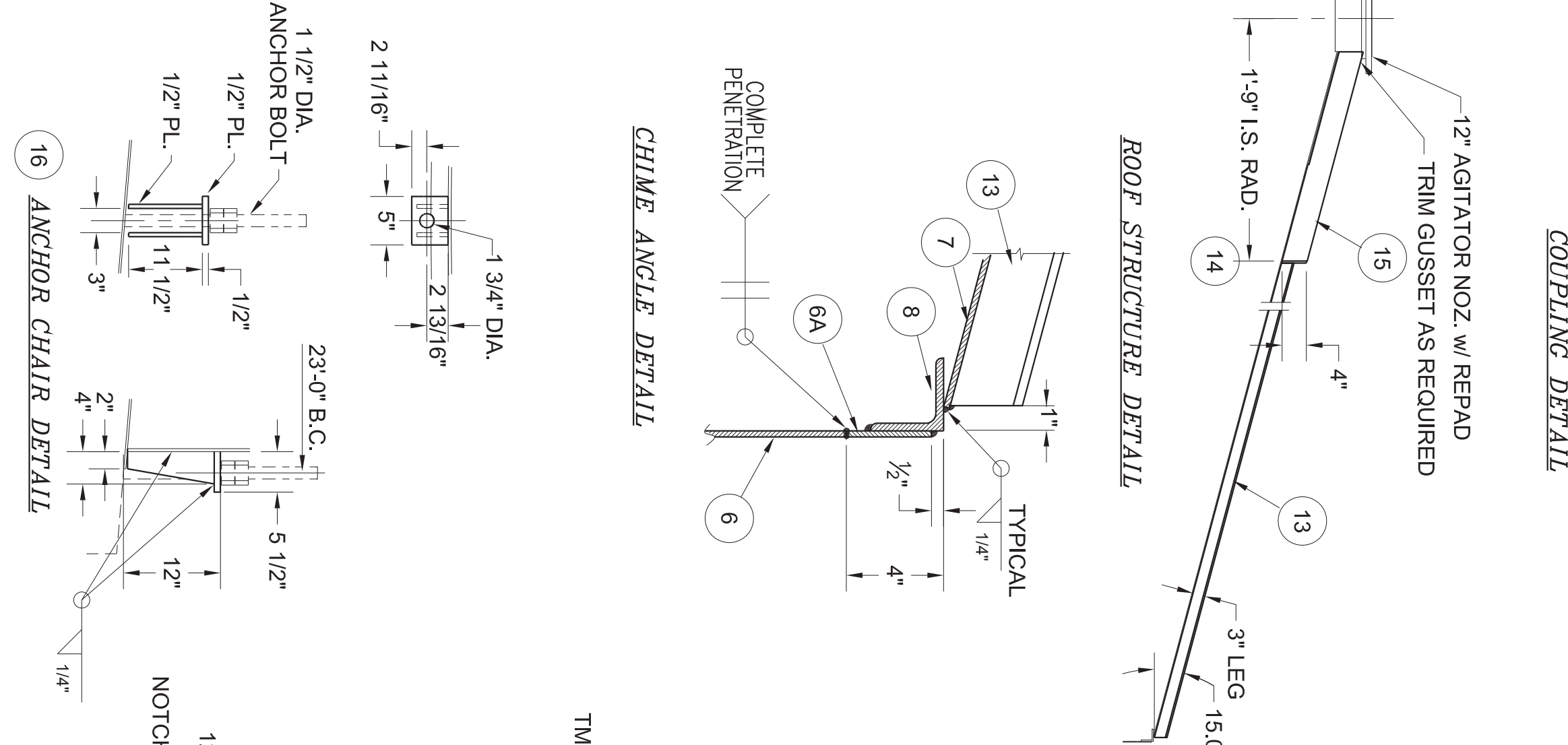
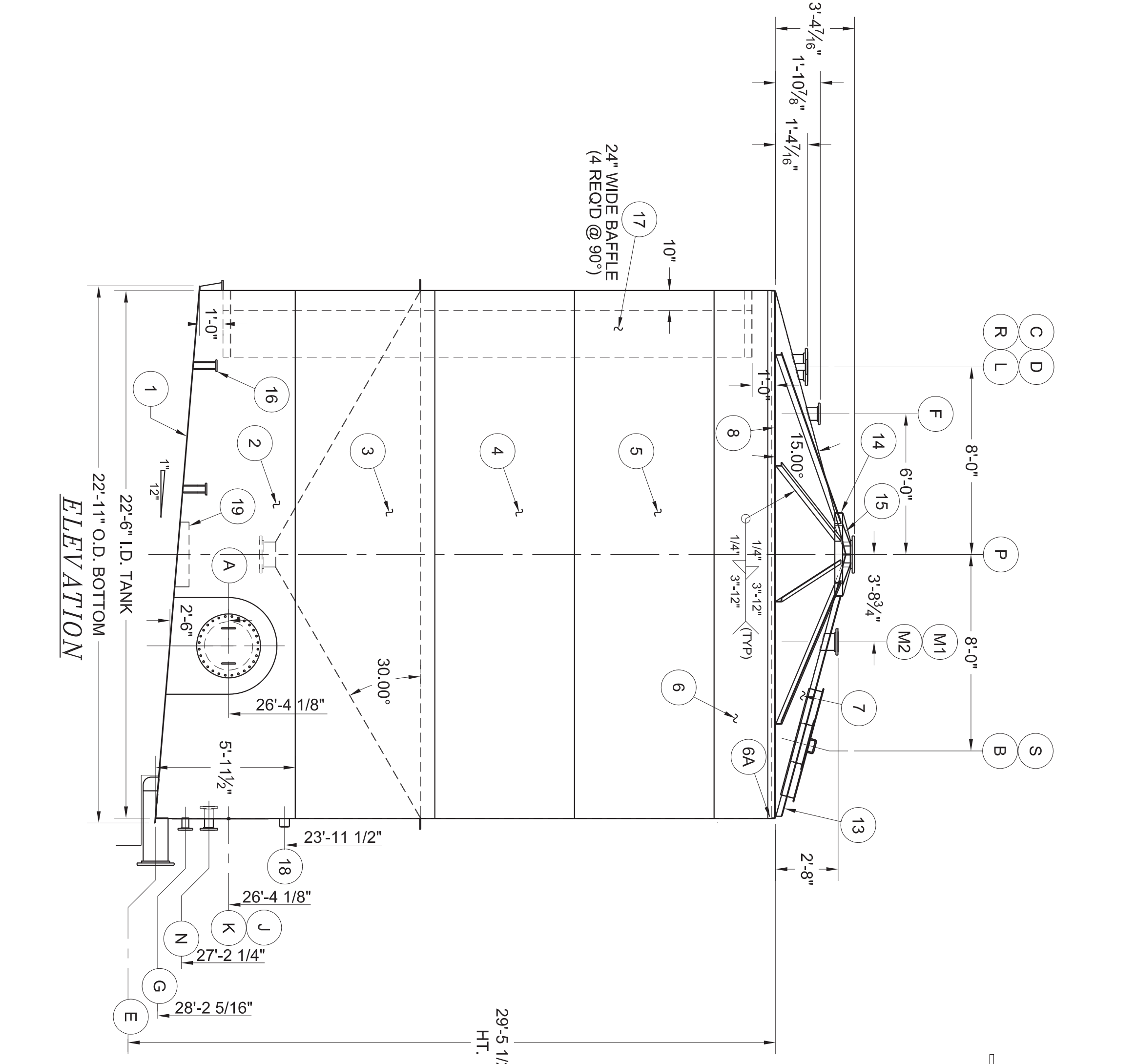


**CERTIFIED "AS-BUILT" BY BAKER TANK CO.**



| NOZZ. LOC. | ELEV. | PROJ. | WEIGHT | ITEM NO.                        | DESCRIPTION  | QTY.               | SERVICE               |
|------------|-------|-------|--------|---------------------------------|--|--------------------|-----------------------|
|            |       |       | 4.004  | 1                               | BOTTOM USE EXISTING (11'-5 1/2" REF. RADIUS)           | 4                  | 304 S.S. (C-13492)    |
|            |       |       | 3.042  | 2                               | 1st SHELL RING, USE EXISTING (HILLSIDE CUT)            | 4                  | 304 S.S. (D-13493)    |
|            |       |       | 3.606  | 3                               | 2nd SHELL RING, 3/16" X 71 1/2" X 212 1/8" LG.         | 4                  | 304 S.S.              |
|            |       |       | 3.606  | 4                               | 3rd SHELL RING, 3/16" X 71 1/2" X 212 1/8" LG.         | 4                  | 304 S.S.              |
|            |       |       | 3.606  | 5                               | 4th SHELL RING, 3/16" X 71 1/2" X 212 1/8" LG.         | 4                  | 304 S.S.              |
|            |       |       | 3.606  | 6                               | 5th SHELL RING, 3/16" X 71 1/2" X 212 1/8" LG.         | 4                  | 304 S.S.              |
|            |       |       | 1.77   | 6A                              | SHELL RING EXTENSION, USE EXISTING                     | 4                  | 304 S.S.              |
|            |       |       | 3.603  | 7                               | DECK, USE EXISTING (11'-6 3/4" CUT RADIUS)             | 4                  | 304 S.S. (C-13494)    |
|            |       |       | 255    | 8                               | CHIME, USE EXISTING (LEG IN)                           | 4                  | 304 S.S.              |
|            |       |       | 149    | 12                              | VACUUM RING, 1/4" X 2" F.B. X 20'-0" LG.               | 4                  | 304 S.S.              |
|            |       |       | 690    | 13                              | EXTERNAL RAFTER, USE EXISTING                          | 12                 | SA-36 (SEE DETAIL)    |
|            |       |       | 80     | 14                              | STIFF RING, USE EXISTING (ROLL 3'-6" ID.)              | 1                  | 304 S.S.              |
|            |       |       | 77     | 15                              | STIFF GUSSET, USE EXISTING                             | 1                  | 304 S.S. (SEE DETAIL) |
|            |       |       | 174    | 16                              | ANCHOR CHAIR, USE EXISTING                             | 12                 | 304 S.S. (SEE DETAIL) |
|            |       |       | 5.191  | 17                              | BAFFLE, 1/4" PLATE X 24" WIDE W/ 3" X 3" X 3/16" ANGLE | 4                  | 304 S.S. (C-13495)    |
|            |       |       | 18     | NAMEPLATE BRACKET, USE EXISTING | 1  | 304 S.S. (B-10398) |                       |
|            |       |       | 714    | 19                              | STEADY BEARING SUPPORT, USE EXISTING                   | 1                  | B-13444               |

| NOZZ. LOC. | ELEV. | PROJ. | WEIGHT    | ITEM NO. | DESCRIPTION  | QTY. | SERVICE                          |
|------------|-------|-------|-----------|----------|--|------|----------------------------------|
|            |       |       | 28-4 1/8" | A        | 24" API 650 SHELL NW W/ 3/16" TMBS, REPAD (304SS)  | 1    | MANWAY (B-13451) (EXISTING)      |
|            |       |       | ROOF      | B        | 20" API 650 ROOF MANWAY (304 S.S.)   | 1    | MANWAY (B-11904) (EXISTING)      |
|            |       |       | ROOF      | C        | 3" 150# RFSO NOZ. W/ SCH 40 PIPE X 8 1/2" LG. (304 S.S.)   | 1    | MASH INLET (EXISTING)            |
|            |       |       | ROOF      | D        | 3" 150# RFSO NOZ. W/ SCH 40 PIPE X 8 1/2" LG. (304 S.S.)   | 1    | WATER INLET (EXISTING)           |
|            |       |       | ROOF      | E        | 12" 150# RFSO NOZ., XH PIPE X 3-1 1/2" LG., 12" XH PIPE CAP, 3/16" HALF TMBS REPAD, 1/4" BOTT REPAD 27" O.D. | 1    | MASH OUTLET (B-13490) (EXISTING) |
|            |       |       | ROOF      | F        | 6" 150# RFSO NOZ. W/ SCH 40 PIPE X 8" LG. (304 S.S.)   | 1    | CO2 OUTLET (EXISTING)            |
|            |       |       | ROOF      | G        | 3" 150# RFSO NOZ. W/ SCH 80 PIPE X 7" LG. W/ 3/16" TMBS  | 1    | LVL TRANSMITTER (EXISTING)       |
|            |       |       | ROOF      | H        | 2" 150# RFSO NOZ. W/ SCH 80 PIPE X 7" LG. (304 S.S.)   | 1    | LEVEL SWITCH                     |
|            |       |       | ROOF      | I        | 3/4" 3000# FULL COUPLING (304 S.S.)  | 1    | TI (EXISTING)                    |
|            |       |       | ROOF      | J        | 12" 150# RFSO NOZ. W/ STD. PIPE X 8 1/2" LG. W/ 27" O.D.   | 1    | TE (EXISTING)                    |
|            |       |       | ROOF      | K        | X 12 7/8" I.D. X 1/4" PL. REPAD (304 S.S.)   | 1    | PSV (EXISTING)                   |
|            |       |       | ROOF      | L        | 8" 150# RFSO NOZ. W/ SCH 40 PIPE X 10" LG. W/ 19" O.D.   | 1    | CIP INLET (EXISTING)             |
|            |       |       | ROOF      | M1       | X 8 3/4" I.D. X 1/4" PL. REPAD (304 S.S.)  | 1    | CIP INLET (EXISTING)             |
|            |       |       | ROOF      | M2       | 8" 150# RFSO NOZ. W/ SCH 40 PIPE X 10" LG. W/ 19" O.D.   | 1    | CIP INLET (EXISTING)             |
|            |       |       | ROOF      | N        | X 8 3/4" I.D. X 1/4" PL. REPAD (304 S.S.)  | 1    | CIP INLET (EXISTING)             |
|            |       |       | ROOF      | O        | (2) 4" 150# RFSO NOZ. W/ STD. PIPE X 7 1/2" LG. W/ 1/4" PLATE  | 1    | ARISTEAM INLET (EXISTING)        |
|            |       |       | ROOF      | P        | 12" 150# RFSO NOZ. W/ STD. PIPE X 7 1/2" LG. W/ 1/4" PLATE   | 1    | ARISTEAM INLET (EXISTING)        |
|            |       |       | ROOF      | Q        | 10" 150# RFSO NOZ. W/ XH PIPE X 7 1/2" LG. W/ 3/16" REPAD  | 1    | AGITATOR (EXISTING)              |
|            |       |       | ROOF      | R        | 3" 150# RFSO NOZ. W/ SCH 40 PIPE X 8 1/2" LG. (304 S.S.)   | 1    | COOLED MASH INLET                |
|            |       |       | ROOF      | S        | 24" X 56" ROOF HATCH W/ BOLTED COVER PLATE   | 1    | YEAST INLET (EXISTING)           |
|            |       |       | ROOF      | T        | PIPE GUIDE PS-VE98 / DETAIL, X" (REF. 400 LBS.)  | 1    | B-13452 (EXISTING)               |
|            |       |       | ROOF      | U        | PIPE SUPPORT PS-VE98 / DETAIL, X" (REF. 400 LBS.)  | 1    |                                  |
|            |       |       | ROOF      | V        | PIPE SUPPORT PS-VE98 / DETAIL, X" (REF. 400 LBS.)  | 1    |                                  |
|            |       |       | ROOF      | W        | PIPE SUPPORT PS-VE98 / DETAIL, X" (REF. 400 LBS.)  | 1    |                                  |
|            |       |       | ROOF      | X        | PIPE SUPPORT PS-VE98 / DETAIL, X" (REF. 400 LBS.)  | 1    |                                  |
|            |       |       | ROOF      | Y        | PIPE SUPPORT PS-VE98 / DETAIL, X" (REF. 400 LBS.)  | 1    |                                  |
|            |       |       | ROOF      | Z        | PIPE SUPPORT PS-VE98 / DETAIL, X" (REF. 400 LBS.)  | 1    |                                  |



**NOTES:**  
DESIGNED & BUILT IN ACCORDANCE TO API 650.  
WELDING DETAILS S: SEE B-6456  
NOZZLE DETAILS: SEE B-6234  
DESIGN & MANWAY REPADS: SEE B-7830  
DESIGN: 0.25 PSIG / 3.5 WC VACUUM @ 300°F.  
CORROSION ALLOW: NONE  
SPECIFIC GRAVITY: 1.04  
SEISMIC: ZONE 1 (PER API 650)  
WIND LOAD: 90 MPH  
EXTERNAL RAFTERS TO BE HOT-DIPPED GALVANIZED & FIELD WELDS TO BE COLD SPRAY GALV. AFTER INSTALLATION.  
BOLTS: SA-193-B7 W/ THREAD COMPOUND  
NUTS: SA-194-2H W/ THREAD COMPOUND  
GASKETS: 1/8" GARLOCK 3000 / EPDM OR EQUAL  
INSULATION: NONE  
ROOF NOZZLE BOLT HOLES TO STRADDLE RADIAL CENTERLINE.  
BOTTOM TO BE SLOPED HILLSIDE 1" IN 1'-0"

| APPENDIX | EDITION | YEAR COMPLETED | REVISION NUMBER | NOMINAL DIAMETER | NOMINAL CAPACITY (BBU) | DESIGN SPECIFIC GRAVITY | DESIGN PRESSURE | MANUFACTURERS SERIAL NO. | FABRICATED BY      | ERECTED BY         | SHELL COURSE | WELDING PROCEDURES                     |
|----------|---------|----------------|-----------------|------------------|------------------------|-------------------------|-----------------|--------------------------|--------------------|--------------------|--------------|--|
| API 650  | 3       | 2007           | 10              | 22'-6"           | 3,399                  | 1.04                    | 0.25            | 07244                    | BAKER TANK COMPANY | BAKER TANK COMPANY | S            | PROCEDURE                              |
|          |         |                |                 |                  |                        |                         |                 |                          |                    |                    |              | LONG SEAM                              |
|          |         |                |                 |                  |                        |                         |                 |                          |                    |                    |              | ROUND SEAM                             |
|          |         |                |                 |                  |                        |                         |                 |                          |                    |                    |              | CONNECTIONS                            |
|          |         |                |                 |                  |                        |                         |                 |                          |                    |                    |              | INTERNAL                               |
|          |         |                |                 |                  |                        |                         |                 |                          |                    |                    |              | BOTTOM LAP JOINTS                      |
|          |         |                |                 |                  |                        |                         |                 |                          |                    |                    |              | TOLEANCE +/- 1/4" LINEAR +/- 1 ANGLUAR |

**BAKER TANK CO.** DIVISION OF JUSTISS OIL COMPANY  
**22'-6" I.D. X 29'-5 1/2" HT.**  
**YEAST PROPAGATION TANK**

| NO. | REVISION | APP. | DRWN | DATE |
|-----|----------|------|------|------|
|     |          |      |      |      |

SCALE: 1/4" = 1'-0"  
DATE: 01/11/09  
DRAWING NO. D-  
REV. 0