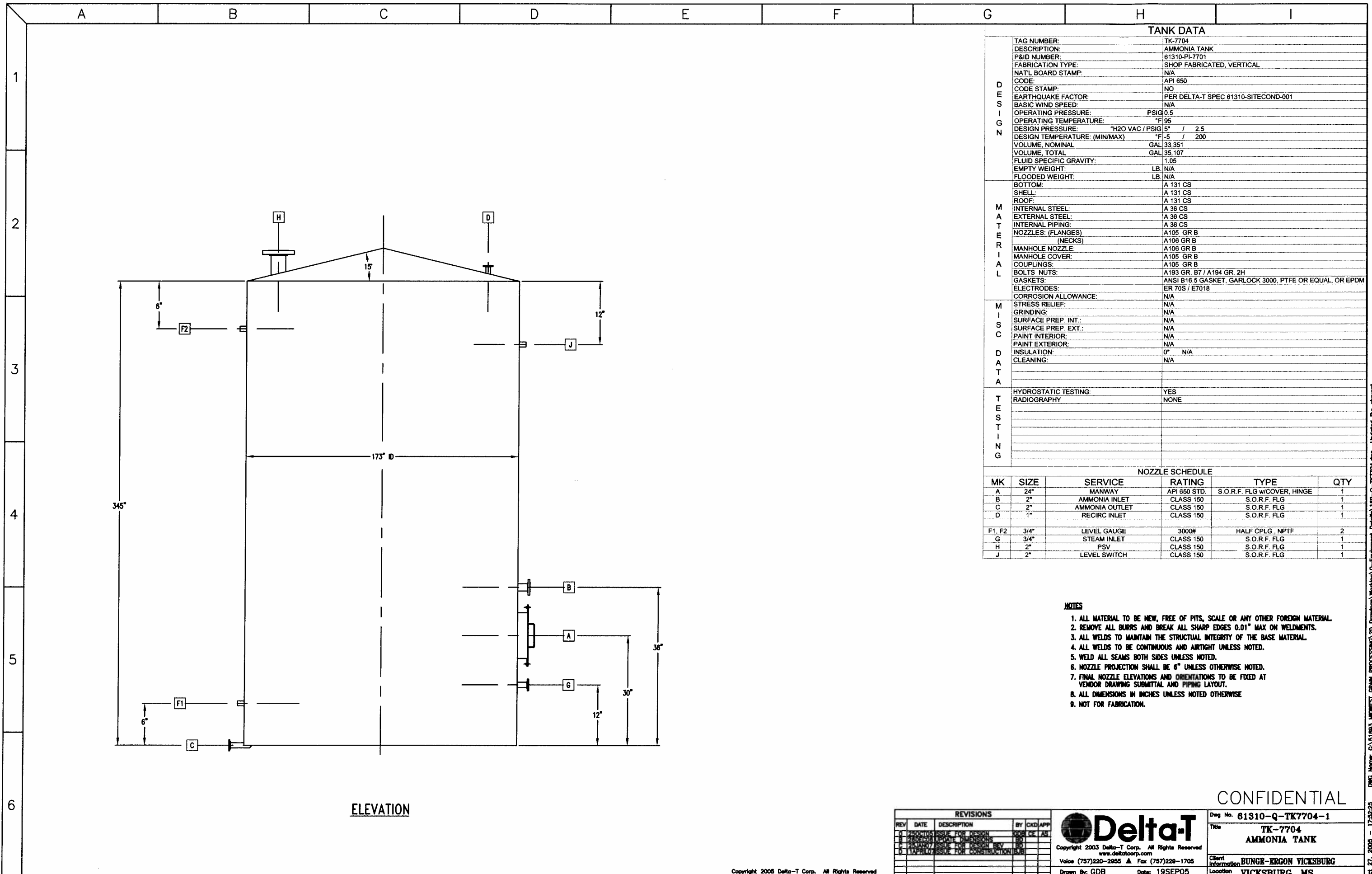


TANK DATA						
DESIGN	TAG NUMBER:		TK-7704	L2348		
	DESCRIPTION:		AMMONIA TANK	REV. D		
	P&ID NUMBER:		61310-PI-7701			
	FABRICATION TYPE:		SHOP FABRICATED, VERTICAL			
	NAT'L BOARD STAMP:		N/A			
	CODE:		API 650			
	CODE STAMP:		NO			
	EARTHQUAKE FACTOR:		PER DELTA-T SPEC 61310-SITECOND-001			
	BASIC WIND SPEED:		N/A			
	OPERATING PRESSURE:		PSIG	0.5		
	OPERATING TEMPERATURE:		°F	95		
	DESIGN PRESSURE:		"H2O VAC / PSIG	5" /	2.5	
	DESIGN TEMPERATURE: (MIN/MAX)		°F	-5 / 200		
	VOLUME, NOMINAL		GAL	33,351		
	VOLUME, TOTAL		GAL	35,107		
	FLUID SPECIFIC GRAVITY:		1.05			
	EMPTY WEIGHT:		LB.	19,498		
FLOODED WEIGHT:		LB.	326,402			
MATERIAL	BOTTOM:		A 131 CS			
	SHELL:		A 131 CS			
	ROOF:		A 131 CS			
	INTERNAL STEEL:		A 36 CS			
	EXTERNAL STEEL:		A 36 CS			
	INTERNAL PIPING:		A 36 CS			
	NOZZLES: (FLANGES)		A105 GR B			
	(NECKS)		A106 GR B			
	MANHOLE NOZZLE:		A106 GR B			
	MANHOLE COVER:		A105 GR B			
	COUPLINGS:		A105 GR B			
	BOLTS NUTS:		A193 GR. B7 / A194 GR. 2H			
	GASKETS:		ANSI B16.5 GASKET, GARLOCK 3000, PTFE OR EQUAL, OR EPDM			
ELECTRODES:		ER 70S / E7018				
CORROSION ALLOWANCE:		N/A				
MISCELLANEOUS DATA	STRESS RELIEF:		N/A			
	GRINDING:		N/A			
	SURFACE PREP. INT.:		N/A			
	SURFACE PREP. EXT.:		N/A			
	PAINT INTERIOR:		N/A			
	PAINT EXTERIOR:		N/A			
	INSULATION:		0" N/A			
	CLEANING:		N/A			
TESTING	HYDROSTATIC TESTING:		YES			
	RADIOGRAPHY		NONE			
NOZZLE SCHEDULE						
MK	SIZE	SERVICE	RATING	TYPE	QTY	
A	24"	MANWAY	API 650 STD.	S.O.R.F. FLG w/COVER, HINGE	1	
B	2"	AMMONIA INLET	CLASS 150	S.O.R.F. FLG	1	
C	2"	AMMONIA OUTLET	CLASS 150	S.O.R.F. FLG	1	
D	1"	RECIRC INLET	CLASS 150	S.O.R.F. FLG	1	
F1, F2	3/4"	LEVEL GAUGE	3000#	HALF CPLG., NPTF	2	
G	3/4"	STEAM INLET	CLASS 150	S.O.R.F. FLG	1	
H	2"	PSV	CLASS 150	S.O.R.F. FLG	1	
J	2"	LEVEL SWITCH	CLASS 150	S.O.R.F. FLG	1	



ELEVATION

TANK DATA

DESIGN	TAG NUMBER:	TK-7704
	DESCRIPTION:	AMMONIA TANK
	P&ID NUMBER:	61310-PI-7701
	FABRICATION TYPE:	SHOP FABRICATED, VERTICAL
	NAT'L BOARD STAMP:	N/A
	CODE:	API 650
	CODE STAMP:	NO
	EARTHQUAKE FACTOR:	PER DELTA-T SPEC 61310-SITECOND-001
	BASIC WIND SPEED:	N/A
	OPERATING PRESSURE:	PSIG 0.5
MATERIAL	DESIGN TEMPERATURE:	*F 95
	DESIGN PRESSURE:	"H2O VAC / PSIG 5" / 2.5
	DESIGN TEMPERATURE (MIN/MAX):	*F -5 / 200
	VOLUME, NOMINAL:	GAL 33,351
	VOLUME, TOTAL:	GAL 35,107
	FLUID SPECIFIC GRAVITY:	1.05
	EMPTY WEIGHT:	LB N/A
	FLOODED WEIGHT:	LB N/A
	BOTTOM:	A 131 CS
	SHELL:	A 131 CS
MISC DATA	ROOF:	A 131 CS
	INTERNAL STEEL:	A 36 CS
	EXTERNAL STEEL:	A 36 CS
	INTERNAL PIPING:	A 36 CS
	NOZZLES: (FLANGES)	A105 GR B
	(NECKS)	A106 GR B
	MANHOLE NOZZLE:	A106 GR B
	MANHOLE COVER:	A105 GR B
	COUPLINGS:	A105 GR B
	BOLTS NUTS:	A193 GR. B7 / A194 GR. 2H
TESTING	GASKETS:	ANSI B16.5 GASKET, GARLOCK 3000, PTFE OR EQUAL, OR EPDM
	ELECTRODES:	ER 70S / E7018
	CORROSION ALLOWANCE:	N/A
	STRESS RELIEF:	N/A
	GRINDING:	N/A
	SURFACE PREP. INT.:	N/A
	SURFACE PREP. EXT.:	N/A
	PAINT INTERIOR:	N/A
	PAINT EXTERIOR:	N/A
	INSULATION:	0" N/A
CLEANING:	N/A	
HYDROSTATIC TESTING:	YES	
RADIOGRAPHY:	NONE	

NOZZLE SCHEDULE

MK	SIZE	SERVICE	RATING	TYPE	QTY
A	24"	MANWAY	API 650 STD.	S.O.R.F. FLG w/COVER, HINGE	1
B	2"	AMMONIA INLET	CLASS 150	S.O.R.F. FLG	1
C	2"	AMMONIA OUTLET	CLASS 150	S.O.R.F. FLG	1
D	1"	RECIRC INLET	CLASS 150	S.O.R.F. FLG	1
F1, F2	3/4"	LEVEL GAUGE	3000#	HALF CPLG., NPTF	2
G	3/4"	STEAM INLET	CLASS 150	S.O.R.F. FLG	1
H	2"	PSV	CLASS 150	S.O.R.F. FLG	1
J	2"	LEVEL SWITCH	CLASS 150	S.O.R.F. FLG	1

NOTES

1. ALL MATERIAL TO BE NEW, FREE OF PITS, SCALE OR ANY OTHER FOREIGN MATERIAL.
2. REMOVE ALL BURRS AND BREAK ALL SHARP EDGES 0.01" MAX ON WELDMENTS.
3. ALL WELDS TO MAINTAIN THE STRUCTURAL INTEGRITY OF THE BASE MATERIAL.
4. ALL WELDS TO BE CONTINUOUS AND AIRTIGHT UNLESS NOTED.
5. WELD ALL SEAMS BOTH SIDES UNLESS NOTED.
6. NOZZLE PROJECTION SHALL BE 6" UNLESS OTHERWISE NOTED.
7. FINAL NOZZLE ELEVATIONS AND ORIENTATIONS TO BE FIXED AT VENDOR DRAWING SUBMITTAL AND PIPING LAYOUT.
8. ALL DIMENSIONS IN INCHES UNLESS NOTED OTHERWISE.
9. NOT FOR FABRICATION.

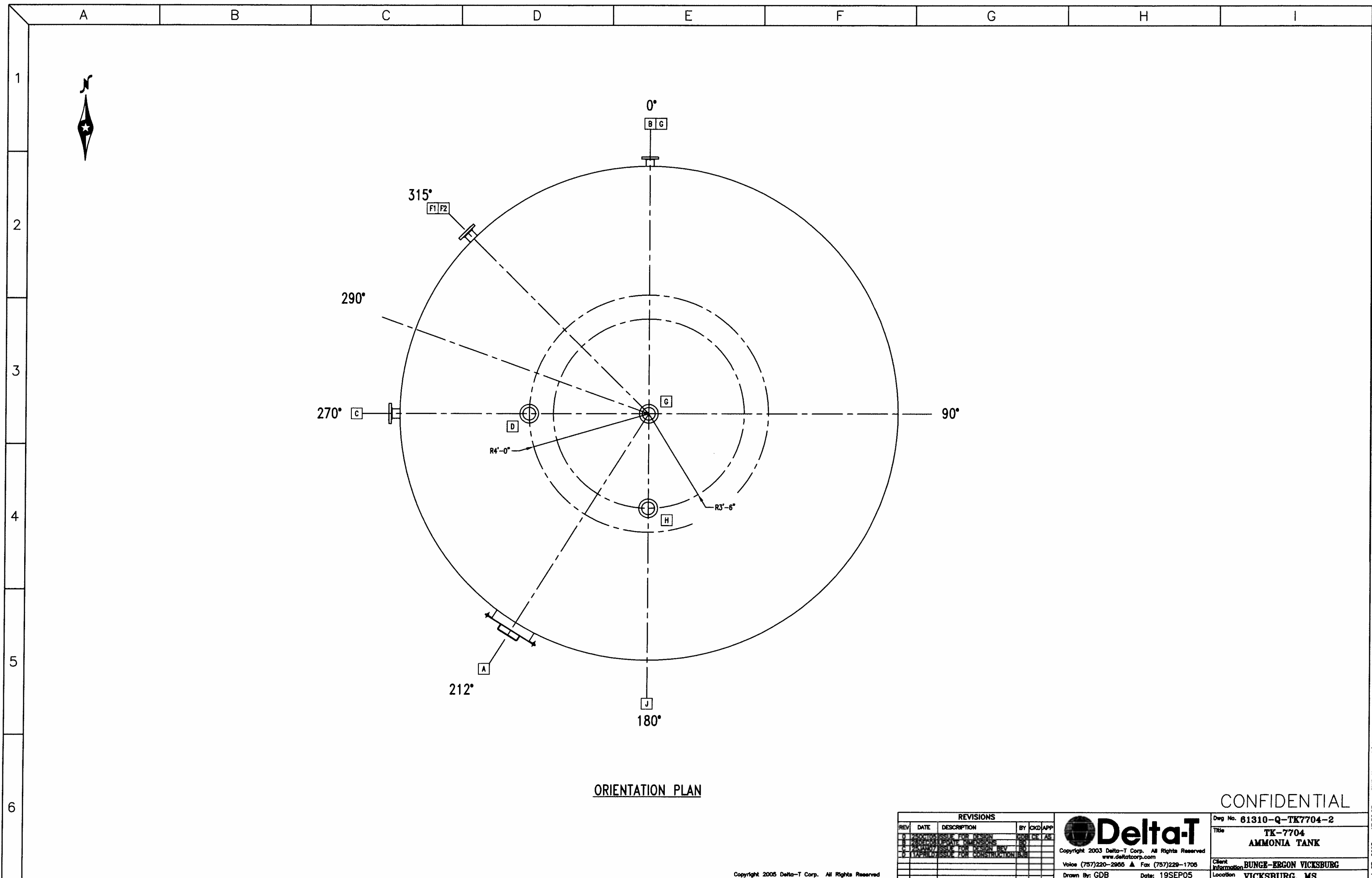
CONFIDENTIAL

REV	DATE	DESCRIPTION	BY	CHKD	APP
1		PROVISIONAL ISSUE FOR DESIGN			
2		PROVISIONAL ISSUE FOR DESIGN			
3		PROVISIONAL ISSUE FOR DESIGN			
4		FINAL ISSUE FOR CONSTRUCTION			

Delta-T
 Copyright 2003 Delta-T Corp. All Rights Reserved
 www.deltatcorp.com
 Voice (757)220-2955 Fax (757)229-1705
 Drawn By: GDB Date: 19SEP05

Dwg No.	61310-Q-TK7704-1
Title	TK-7704 AMMONIA TANK
Client Information	BUNGE-ERCON VICKSBURG
Location	VICKSBURG, MS

Dwg Name: G:\11803 MIDWEST GRAIN PROCESSING\2D Drawings\Working\G-Equipment Details\168-Q-TK7704.dwg Updated By: gbrvant Oct 27, 2005 - 17:50:25



ORIENTATION PLAN

CONFIDENTIAL

REVISIONS				
REV	DATE	DESCRIPTION	BY	CHKD/APP
1		ISSUED FOR CONSTRUCTION		
2		ISSUED FOR CONSTRUCTION		
3		ISSUED FOR CONSTRUCTION		
4		ISSUED FOR CONSTRUCTION		
5		ISSUED FOR CONSTRUCTION		
6		ISSUED FOR CONSTRUCTION		

Delta-T
 Copyright 2003 Delta-T Corp. All Rights Reserved
 www.deltatcorp.com
 Voice (757)220-2955 ▲ Fax (757)229-1705
 Drawn By: GDB Date: 19SEP05

Dwg No.	61310-Q-TK7704-2
Title	TK-7704 AMMONIA TANK
Client Information	BUNGE-ERGON VICKSBURG
Location	VICKSBURG, MS