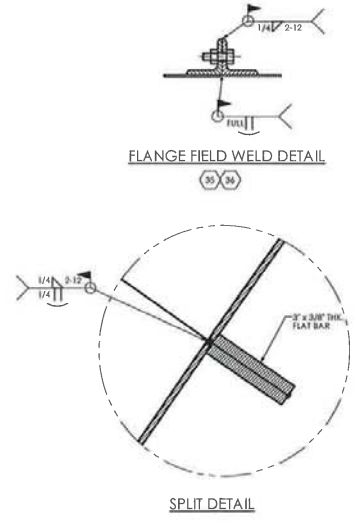


ITEM	Default/Qty.	DESCRIPTION	SUPPLIED BY	MANUFACTURER PART NO. / BRI STD NUMBER	BRI DWG NO.
1	1	45" x 84" PRE-SEPARATOR CASING			
2	1	45" x 84" PRE-SEPARATOR HOPPER	FABRICATOR		PRSP-11-05
3	1	45" x 84" PRE-SEPARATOR SCROLL	FABRICATOR		PRSP-11-04
4	1	45" x 84" PRE-SEPARATOR SCROLL (MIRRORED)	FABRICATOR		PRSP-11-04
5	1	45" x 84" PRE-SEPARATOR CASING SUPPORT	FABRICATOR		PRSP-11-03
6	1	45" x 84" PRE-SEPARATOR SCROLL SUPPORT	FABRICATOR		PRSP-11-03
7	1	45" x 84" PRE-SEPARATOR SCROLL SUPPORT	FABRICATOR		PRSP-11-04
8	1	45" x 84" PRE-SEPARATOR SCROLL SUPPORT	FABRICATOR		PRSP-11-04
9	2	45" x 84" PRE-SEPARATOR LIFTING LUG	FABRICATOR		PRSP-11-01
11	1	45" x 84" PRE-SEPARATOR WEAR PLATE	FABRICATOR		PRSP-11-02
12	3	6" ID. RUPTURE DISK DETAILS	FABRICATOR	ML-VTP4-02	ML-VTP1-02-01
13	1	12" SQ. SIGHT GLASS	FABRICATOR	ML-SIGL-01	ML-SIGL-01-01
14	1	FLEXIBLE	BRI	FLXS-10	

LOAD TYPE	DEFINITION	CALCULATION DATA	SUB-TOTAL	Ans	TOTAL LBS.
DEAD LOAD:	CONCRETE CURB	XXXX	XXXX		11 = 11000
LIVE LOAD:	NORMAL OPERATIONS	XXX LBS/CFM/1000	1000	1000	1000 = 10000
EMERGENCY	EMERGENCY	XXXX	XXXX	10	1000 = 10000
FACTORS:	WIND DEFLECT	XXXXXX	XXXXXX	14	14000 = 14000

THE DATA CONTAINED ON THIS DOCUMENT IS CONFIDENTIAL AND MUST NOT BE USED, PUBLISHED OR REPRODUCED IN WHOLE OR IN PART WITHOUT PRIOR WRITTEN PERMISSION FROM © BARR & ROSIN INC.



REV. NO.	DATE	BY	CHKD.	APPROVED

45" x 84" PRE-SEPARATOR GENERAL ASSEMBLY

GEA Barr-Rosin Inc.

Project Engineering

BRI/BRN

A member of an industrial group

THE DRAWING SPECIFICATION AND DATA IS CONFIDENTIAL AND MUST NOT BE USED, PUBLISHED, REPRODUCED IN WHOLE OR IN PART WITHOUT PRIOR WRITTEN PERMISSION FROM BARR-ROSOIN INC. © COPYRIGHT

SCALE	1:24
DRAWN	JV
CHECKED	
APPROVED	
DWG NO.	PGR175-PRSP-11-00
REV.	E

REV. NO.	DATE	CHECKED	APPROVED	REV. NO.	DATE	CHECKED	APPROVED	REV. NO.	DATE	CHECKED	APPROVED	REV. NO.	DATE	CHECKED	APPROVED	REV. NO.	DATE	CHECKED	APPROVED
1	2007 SEP 18	JT	EB	2	2007 SEP 18	JT	EB	3	2007 SEP 18	JT	EB	4	2007 SEP 18	JT	EB	5	2007 SEP 18	JT	EB

E - DIMENSIONS ADDED TO LOCATE COUPLINGS.
- DIMENSION ADDED FOR ANCHOR HOLES.

D - BILL OF MATERIAL UPDATED.
- ITEM #7 ADDED.
- DIMENSION MODIFIED.
- HIDDEN LINES REMOVED IN FRONT VIEW.

C - FLEXIBLE ADDED.
- BILL OF MATERIAL UPDATED.
- DIMENSIONS UPDATED.
- FLANGE # 22A ADDED.

B - BOLTED WEAR PLATE MODIFIED.

DO NOT SCALE IF IN DOUBT ASK

THIRD ANGLE PROJECTION